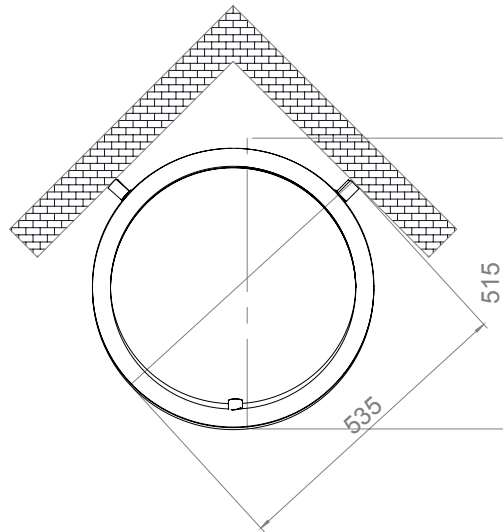
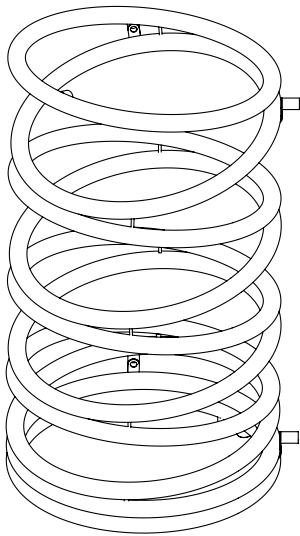


# HELIO - HEL095

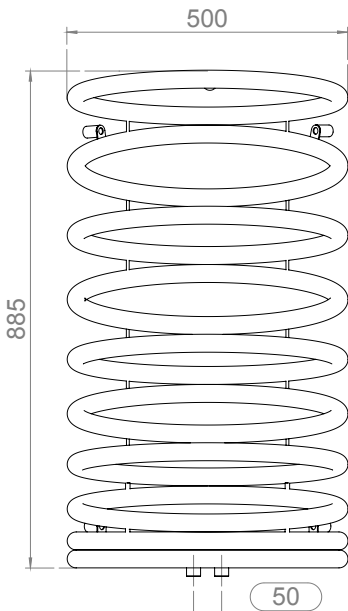
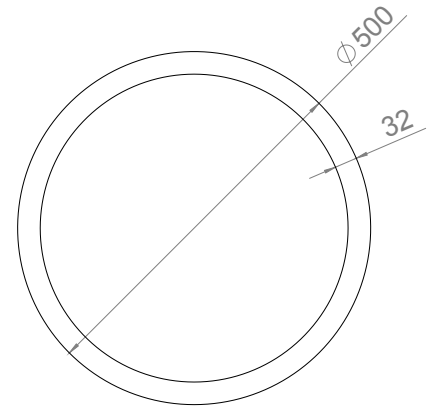
INS-VS1

ALL MEASUREMENTS ARE IN MILLIMETRES

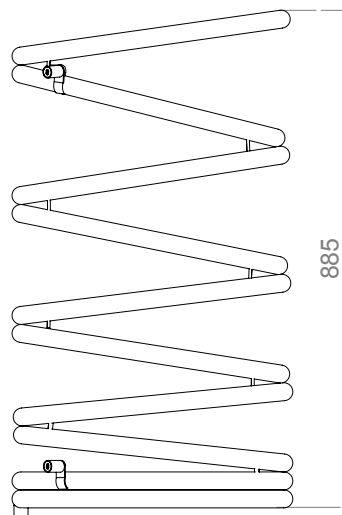
MANUFACTURED FROM STAINLESS STEEL



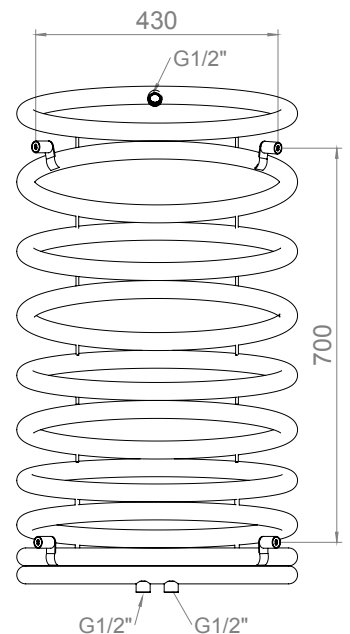
Top View



Front View



Side View

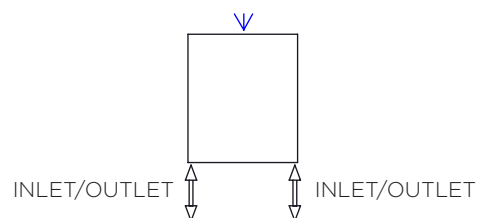


Back View

INSTALLATION ACCESSORIES:



AIRVENT



All Dimension are in mm  
Max.Working Pressure = 10 Bar  
Max.Working Temperature=95° C  
Inlet / Outlet : 1/2" BSP

Technical specifications are subject to change without prior notice.

AEON is the designer heating division of Pitacs Limited.  
Pitacs Limited, Bradbourne Point, Bradbourne Drive, Tilbrook, Milton Keynes,  
Buckinghamshire, MK7 8AT, UK

T: +44 (0)1908 271155 E: info@pitacs.com W: www.aeon.uk.com

