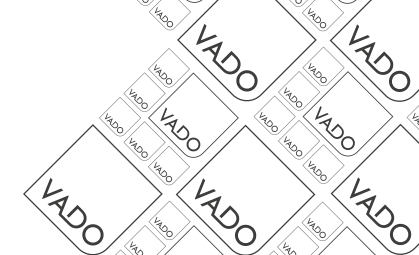




where inspiration flows

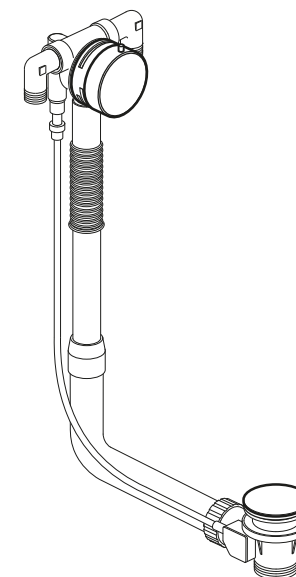
watergames



Pop up bath waste with extended rigid pipe
Installation Guide

This instruction booklet covers models:
WG-81552A-CP

WG-81552A-CP



Vado
Wedmore Road, Cheddar, Somerset, England BS27 3EB
tel 01934 744466. fax 01934 744345
aftersales@vado.com
www.vado.com



Important - please read

Please read these instructions carefully before starting installation and keep for future reference.

Remove all packaging and check the product for missing parts or damage before starting installation.

Any alterations made to this product and fittings may infringe water regulations and will invalidate the guarantee.

The installation must comply with all Local/National Water Supply Authority Regulations/Byelaws and Building and Plumbing Regulations.

To be installed in accordance with BS EN806.

We strongly recommend that you use a qualified and registered plumber.

General installation

When installed, the fitting must comply with the requirements of the Water Supply (Water Fittings) Regulations 1999 and Scottish Byelaws 2004.

For further information, contact the Water Regulations department of your local water supplier (see the WRAS website www.wras.co.uk for details) or the Water Regulations Advisory Scheme by email (info@wras.co.uk) or telephone: 01495848454.

Before making any inlet pipe connections, all supply pipes MUST be thoroughly flushed to remove debris. Failure to do so could result in damage or low flow from the mixer unit.

The fitting of isolating valves to the inlet feeds is advised for ease of maintenance.

Please take great care when installing this mixer not to damage its surface.

Please note if installing in an enclosed environment, access should be left for servicing and maintenance. No costs relating to inadequate access can be accepted.

Guarantee

All VADO products come with a 2 year guarantee as standard. Within this guarantee period VADO will provide replacement parts and any labour **[SEE NOTE 1]** needed to complete the product repair.

This standard guarantee may be extended by registering your product to give up to a 15 year guarantee period. Once registered:

VADO chromed brassware and stainless steel products have a 15 year guarantee (2 years parts and labour plus 13 years parts only).

VADO Sensori SmartTouch and SmartDial products have a 5 year guarantee (parts and labour).

VADO Identity and i-tech products have a 5 year guarantee (2 year parts and labour plus 3 years parts only).

All other VADO products have a 3 year guarantee (2 years parts and labour plus 1 year parts only)

[SEE NOTE 2].

Guarantee Conditions

Our products are guaranteed against manufacturing defects from the date of purchase until the expiry of the relevant guarantee period shown above.

The guarantee is only valid if:

- The product has been installed, used and maintained in accordance with VADO's instructions and subjected to normal use only.
- The defect is not due to use of an unsuitable or inadequate water or power supply.
- The defect is not due to accident, misuse, neglect or incorrect/inappropriate repair (other than by VADO or VADO authorised agents) or damage caused by foreign objects or substances.
- The extended guarantee is only available if you have completed the Guarantee Registration Process. This can be done via the VADO website or via phone to our aftersales team.

Registration must be completed within 6 months from date of purchase.

Under the extended guarantee period VADO will, at its option, offer to supply any replacement product (or component part) assessed to be defective **[SEE NOTE 3]**.

The guarantee (whether standard or extended) is non-transferable to any subsequent owner.

All claims under the guarantee should be notified in the first instance to our Aftersales department, contact details below, this must be done no later than the last day of the relevant guarantee period.

All claims must be accompanied by proof of purchase (sales receipt or delivery note) from an official VADO dealer.

The guarantee does not extend to any consequential loss or damage.

After repair or replacement, the relevant guarantee period will be calculated from the original date of purchase.

VADO operates a policy of continuous product development and therefore reserves the right to change the product, packaging and documentation specifications without notice. E&OE.

NOTES:

[1] Labour via our engineer network is only available in the UK. Attendance by a VADO engineer or sub-contract engineer will be under our standard terms and conditions.

[2] VADO spare parts and shower hoses are under a parts only guarantee.

[3] VADO reserves the right to charge in advance for a product (or replacement part) pending collection and investigation (at VADO expense) to confirm a defect is due to a manufacturing issue. If a defect is found the charge will be refunded or cancelled.

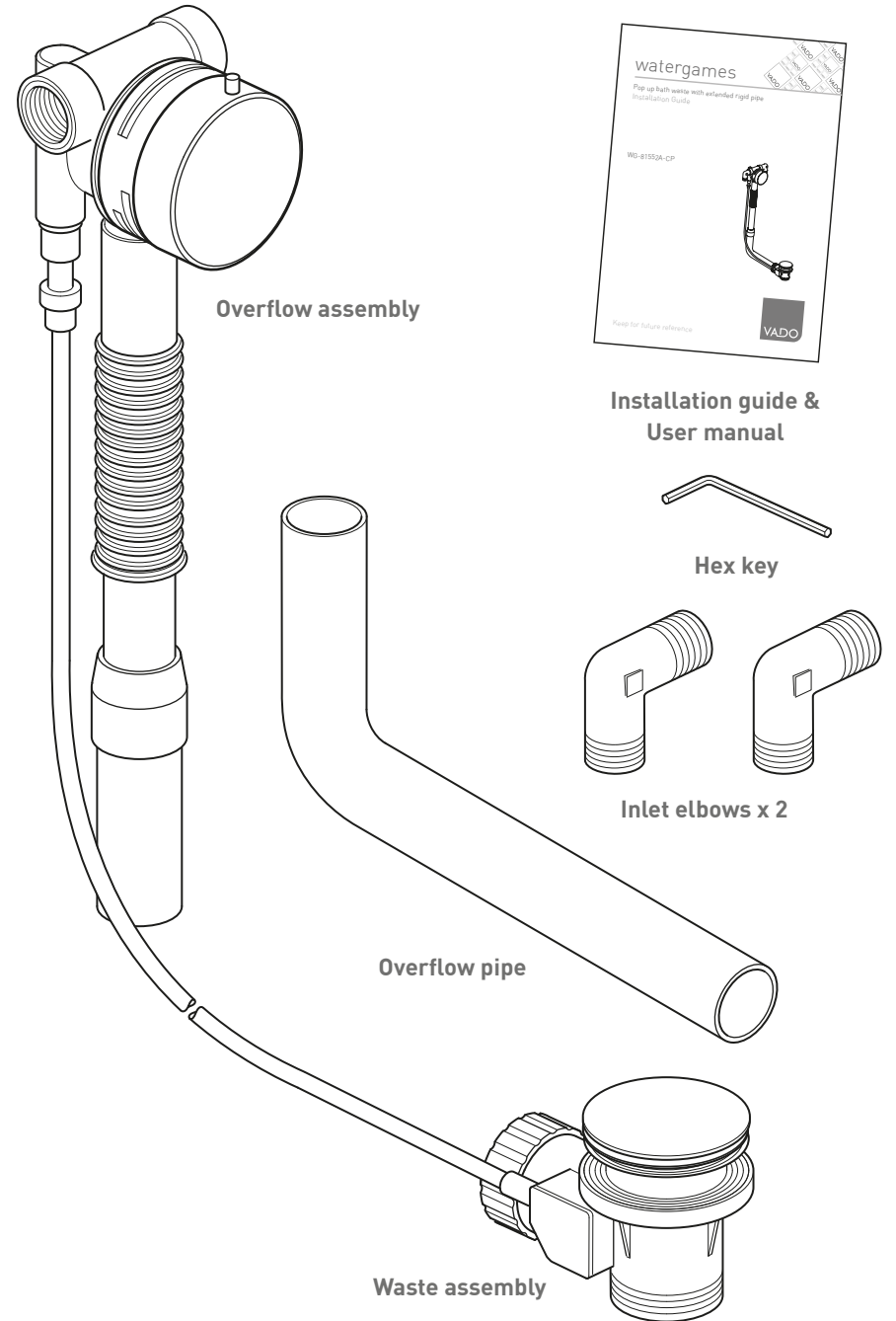
This guarantee is in addition to and does not affect your statutory rights as a consumer.

Tel: 01934 745163

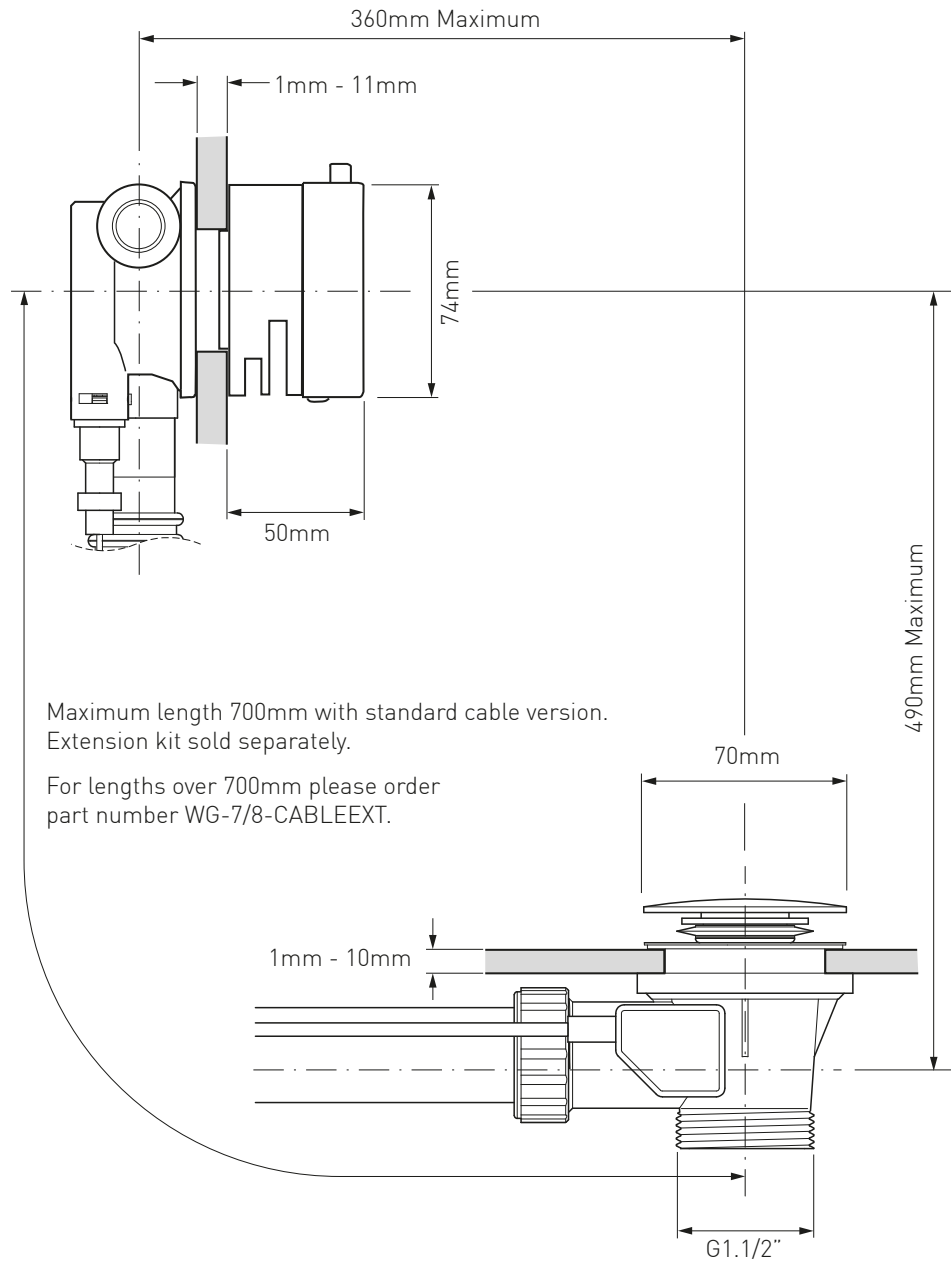
Email: aftersales@vado.com

Notes:

Contents of Packaging



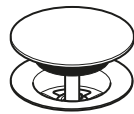
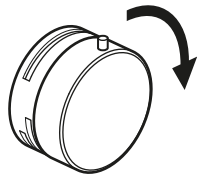
Valve dimensions



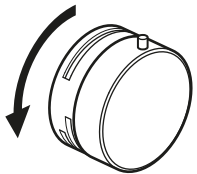
Cleaning instructions

The electroplating on this product is finished to the highest standard. Due care needs to be taken to ensure the appearance is retained. We recommend cleaning all products with a soft damp cloth ONLY and advise strongly against the use of all aggressive/corrosive cleaning products i.e. powders and liquids. If these instructions are not followed, this may invalidate your guarantee in the event of a problem occurring.

Operation

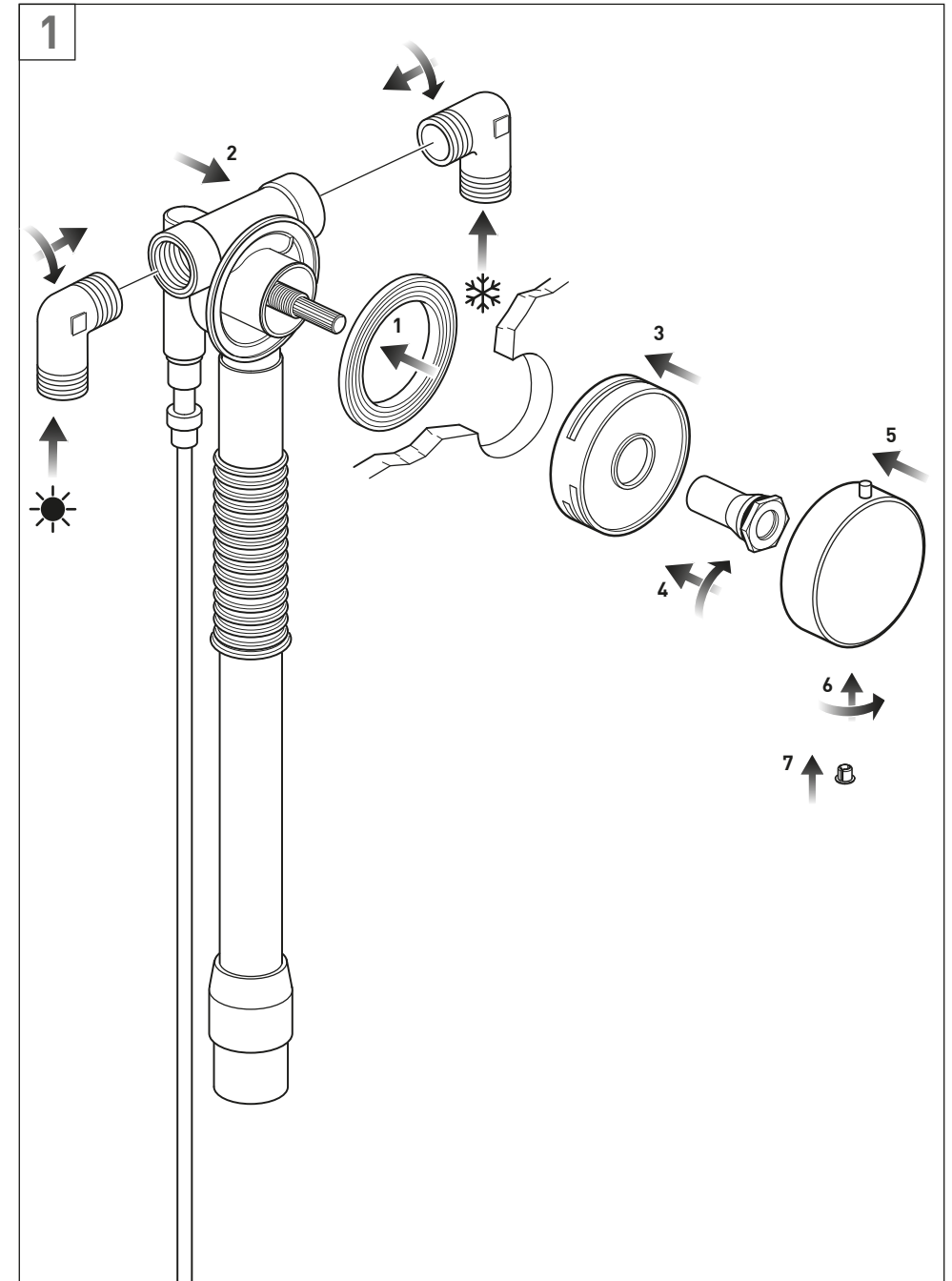


Turning the handle clockwise opens the plug.

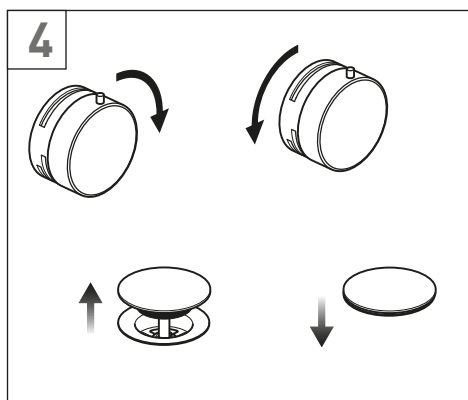
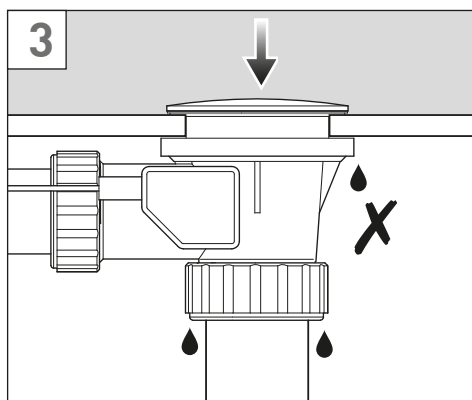
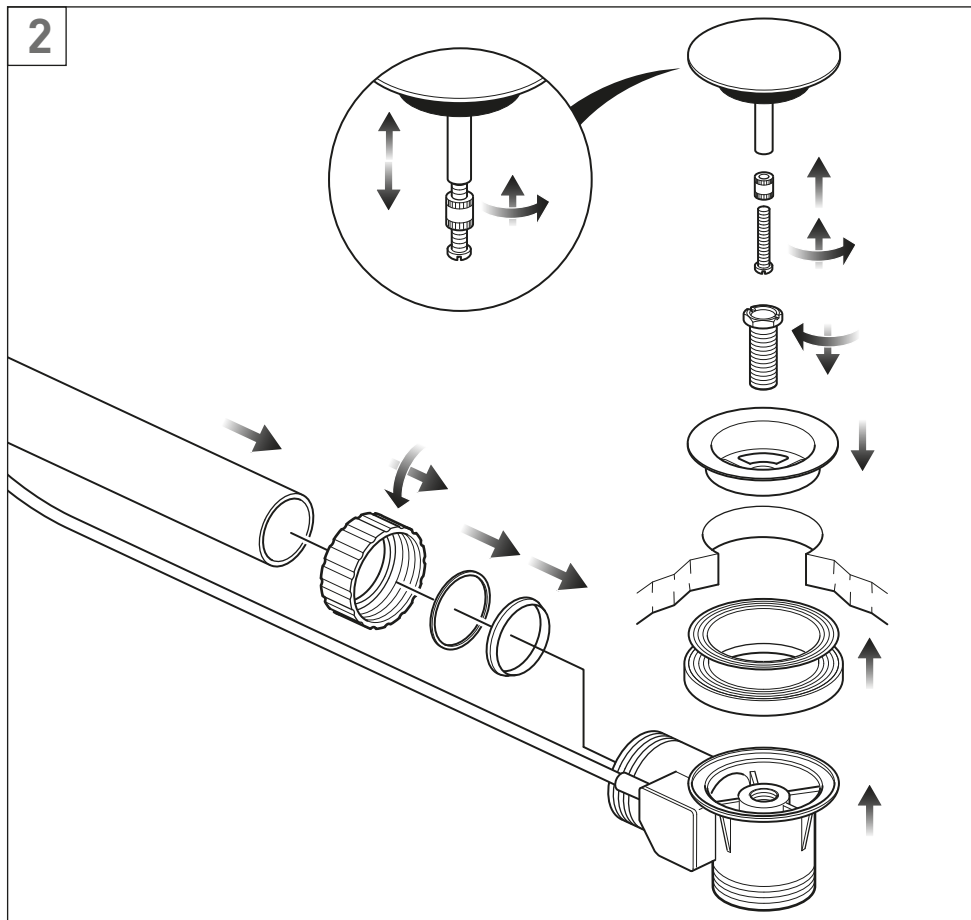


Turning the handle anti-clockwise closes the plug.

Installation - Quick guide

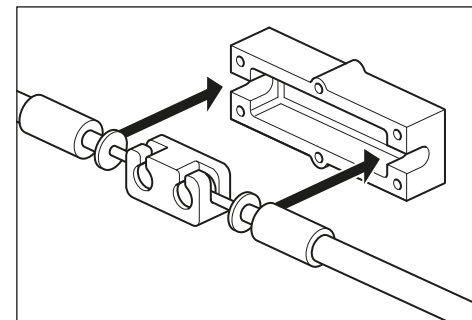


Installation - Quick guide

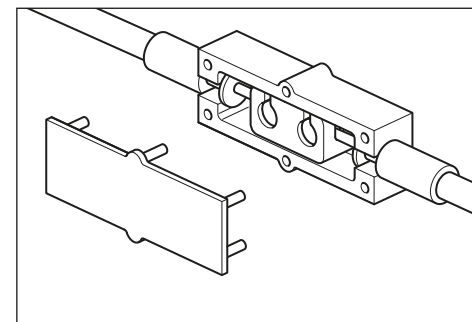


Installation - Extension cable

Fit the shunt piece in the junction box and secure both cable collars in position.

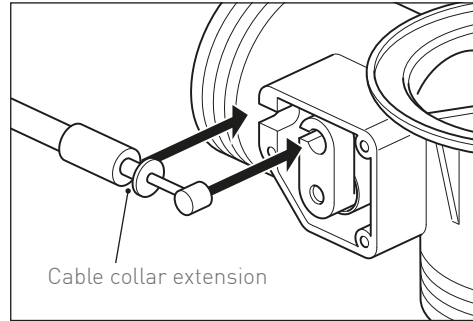


Fit the cover on the junction box.
Ensure free movement and operation of the pop-up mechanism.



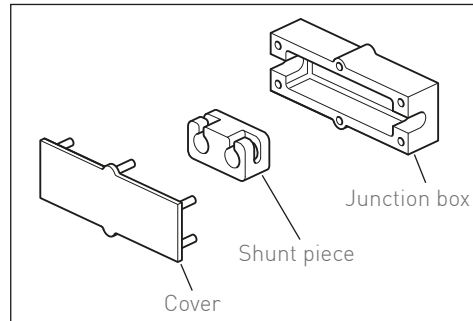
Installation - Extension cable

Fit one end of the extension cable into the operating lever, and fit the cable collar in position, ensuring the cable does not foul when engaged.
Refit the cover.

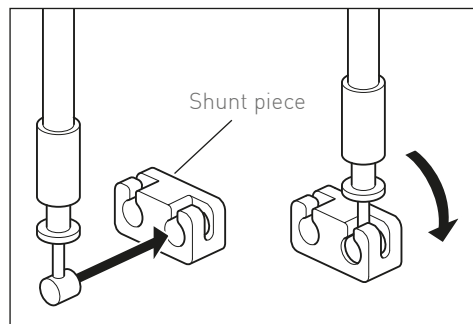


Extension cable junction box

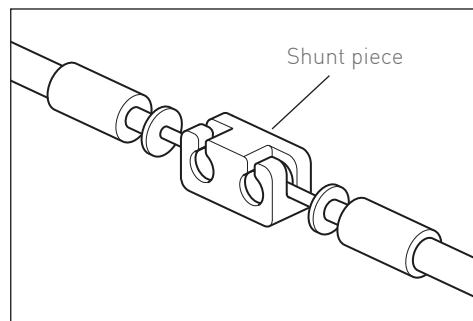
Remove the cover from the junction box and pullout the shunt piece.



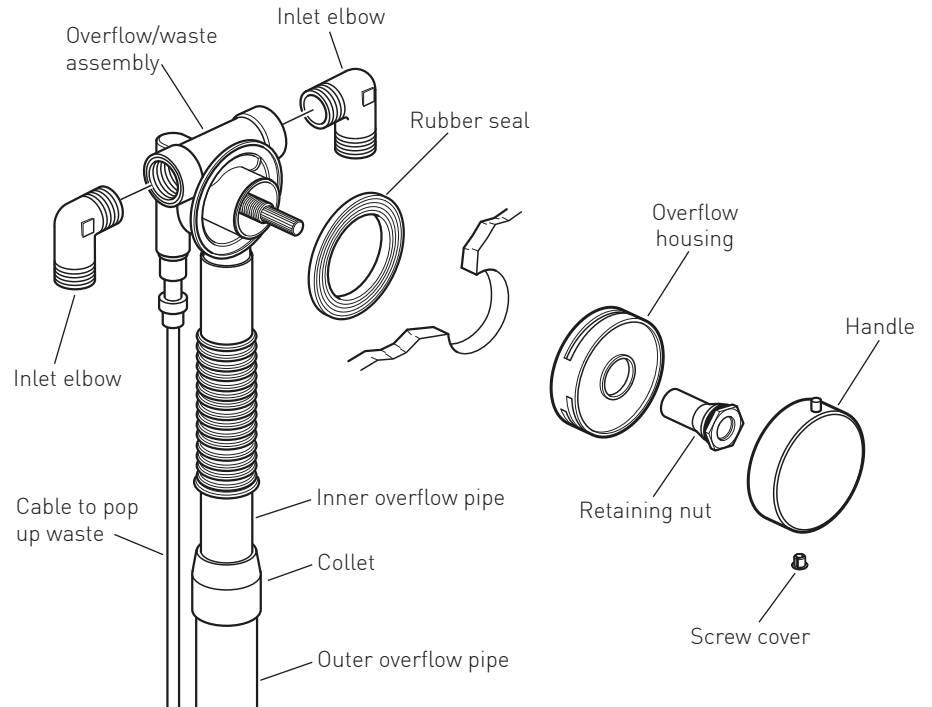
Fit the other end of the extension cable into the extension shunt piece.
Rotate the extension cable around to lock in position.



Fit the other end of the original cable in to the extension shunt piece using the same procedure.



Installation



The length of the overflow pipe can be adjusted by pulling apart or pushing together the inner and outer overflow pipes.

Should you need to further reduce the length, pull the outer overflow out of the collet, cut both the outer overflow pipe and the inner overflow pipe to the required length, remove any burrs and assemble.

Ensure all calculations are correct before cutting pipes.

Remove the blanking plug(s) from the overflow assembly. Using PTFE tape fit the inlet elbow(s).

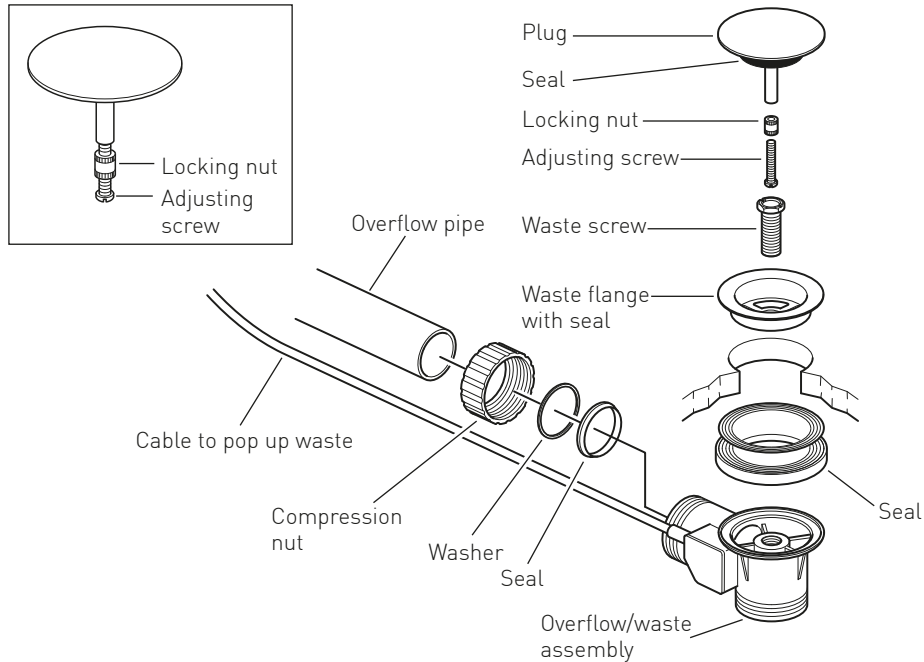
Push the rubber seal onto the overflow/waste assembly, and from the outside push the shaft through the bath overflow hole and hold in place.

Slide the overflow housing onto the waste assembly and push up until it meets the bath, make sure that the slots for filling and overflow are on the underside. Secure using the retaining nut and tighten (do not over tighten as this may damage the parts and/or the bath).

Push the handle onto the assembly, with the small lever at the 12 o'clock position, secure the handle using the grub screw in the underside and tighten with the supplied hex key, push on the screw cover.

Connect to the supply pipe work.

Installation - Pop-up waste



From below push the top part of the rubber seal up through the hole in the bath. Push the waste housing up into the seal and hold in place.

From inside the bath place the waste flange over the seal and secure in position using the screw, do not over tighten as might damage the bath.

Slide the compression nut, washer and seal over the pipe, push the pipe fully into the waste assembly, slide along the seal and washer and finally screw on the nut, hand tight only. Push in the plug.

Decreasing the pipe length.

The pipe can be shortened by carefully cutting, removing any burrs. Ensure all calculations are correct before cutting the pipe. Finish by following the above procedure.

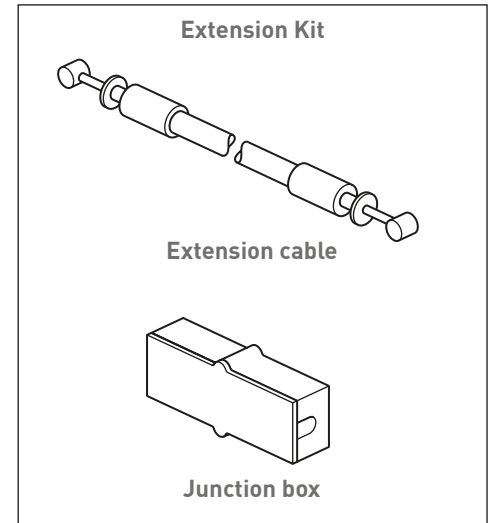
Plug adjustment

To adjust the opening and/or closing position of the plug.

With a flat screwdriver loosen the adjusting screw to the required position, tighten the locking nut, and refit into the waste. Test, and readjust if necessary.

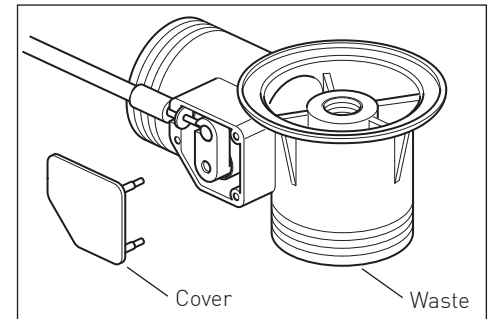
Installation - Extension cable

If the hole centre distance between the overflow and waste hole are greater than 700mm (see dimensions on page 4), an extension kit, part number: WG-7/8-CABLEEXT can be purchased to increase the cable length. Please follow the below procedure to extend the length of the fitting.



Bath waste section

Remove the cover on the side of the bath waste section.



Set the position of the operating lever where the cable connects at 12 o'clock. Using a tool for leverage remove the cable collar from the bath waste section and carefully release the cable from the operating lever.

