

TECHNICAL DATA SHEET

Cover SCT Slim Depth Basin - C2SCBAS

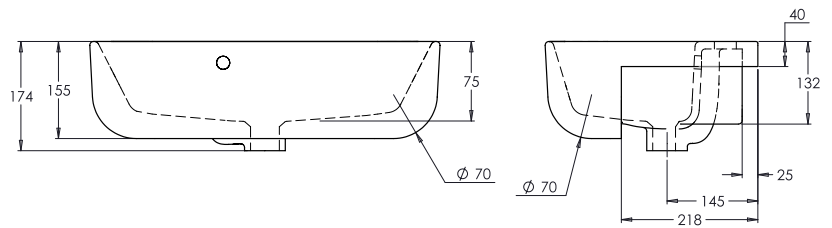
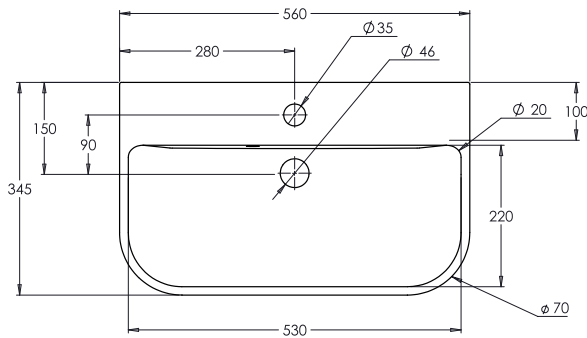
ROPER RHODES®

NO.	Description	Product Code	Template included	Gross Weight
1	Semi Recess Basin - Slim Depth	C2SCBAS	YES	12.3KG



DIMENSIONS

DIAGRAMS NOT TO SCALE | ALL DIMENSIONS IN MM TOLERANCE OF ± 5 MM
ALL PRODUCTS CONFORM TO BRITISH STANDARDS



*Dimensions are subject to change, customers are advised to measure actual product before commencing installation.

**Fixing point dimensions are for guidance only. The positions of fixings must be checked when product is received.

FAQs

Q - Is a fitting template supplied?

A - Yes : Questions on cutting dimensions can be found on the template.

Q - How is the basin fixed to the furniture?

A - Fix to work top with silicone as per instructions supplied.

Key Dimensions Descriptions	Key Dimensions (mm)
Internal Bowl Depth	80mm
Internal Bowl Front to Back	220mm
Internal Bowl Left to Right	530mm
Tap Ledge	100mm
Taphole Centre to Waste Centre	90mm
Taphole Centre to Back of Basin	60mm
Waste Centre to Back of Basin	150mm
Height of Basin	155mm
Basin Overhang	127mm

TECHNICAL DATA SHEET

Cover SCT STD Depth Basin - C3SCBAS

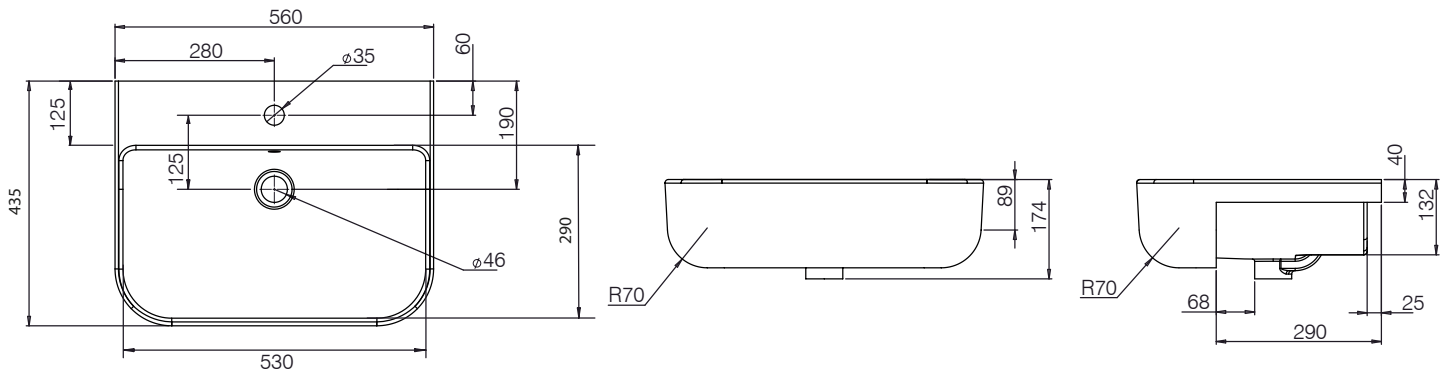
ROPER RHODES®

NO.	Description	Product Code	Template included	Gross Weight
1	Semi Recess Basin - Standard Depth	C3SCBAS	YES	15KG



DIMENSIONS

DIAGRAMS NOT TO SCALE | ALL DIMENSIONS IN MM TOLERANCE OF ± 5MM
ALL PRODUCTS CONFORM TO BRITISH STANDARDS



*Dimensions are subject to change, customers are advised to measure actual product before commencing installation.

**Fixing point dimensions are for guidance only. The positions of fixings must be checked when product is received.

FAQs

Q - Is a fitting template supplied?

A - Yes : Questions on cutting dimensions can be found on the template.

Q - How is the basin fixed to the furniture?

A - Fix to workspace with silicone as per instructions supplied.

Key Dimensions Descriptions	Key Dimensions (mm)
Internal Bowl Depth	80mm
Internal Bowl Front to Back	290mm
Internal Bowl Left to Right	530mm
Tap Ledge	125mm
Taphole Centre to Waste Centre	125mm
Taphole Centre to Back of Basin	60mm
Waste Centre to Back of Basin	190mm
Height of Basin	140mm
Basin Overhang	145mm