

TAP083TI



BAR CODE: 5060168228796

COLOUR: CHROME PLATE

WEIGHT:

NET 2.0 kg (tap only) GROSS

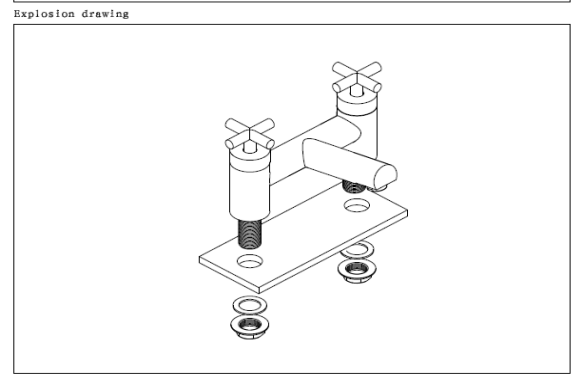
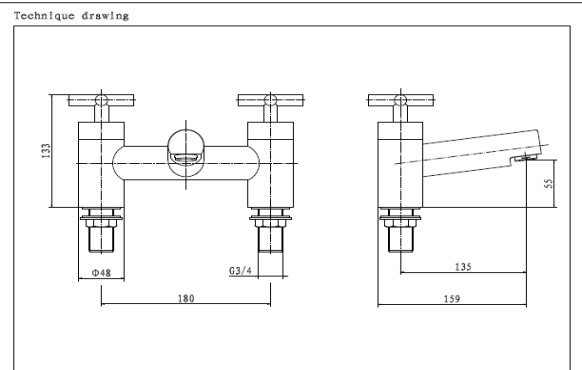
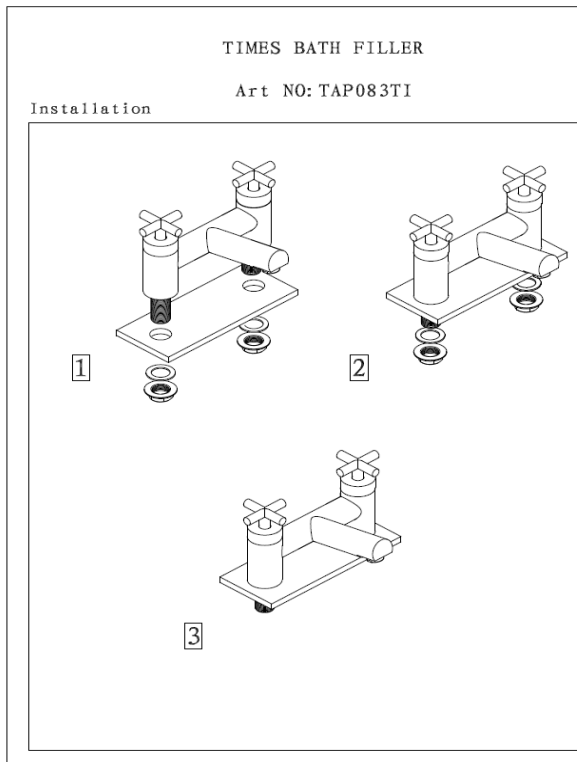
2.3 KG

STANDARDS: BS EN 200

3/4" BSP CONNECTIONS
CERAMIC DISC TECHNOLOGY

Flow Rate: M.P

0.2bar	0.5bar	1bar	2bar	3bar
9.6L/min	14.9L/min	21L/min	29.8L/min	42.6L/min



BOX SIZE 250 x 180 x 190 mm