
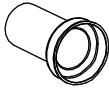






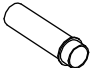
















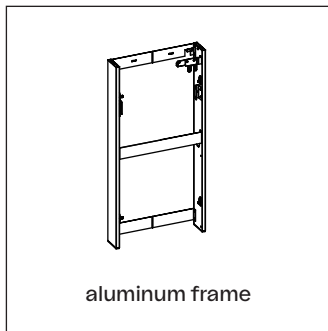
TOuch
Smart Push Button
Wall Hung Cistern Frame
Item No.: A81105A

Content

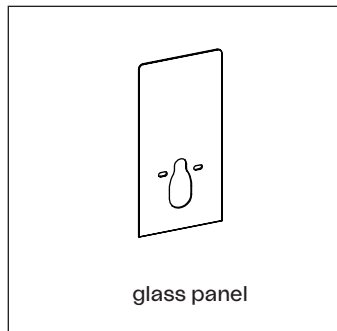
Parts List -----	01
Technical Drawing, Inlet System & Drainage System -----	02
Installation Instruction -----	03
Maintenance & Daily Care -----	08

PARTS LIST

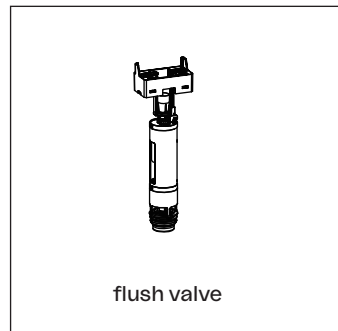
 φ 110mm X1 rubber seal	 X1 straight flush pipe	 X1 flush pipe	 X1 eccentric pipe	 X1 rubber seal	 X1 white full flush air hose
 blue X1 half flush air hose	 X1 toilet mat	 X1 flush pipe	 φ 60mm X1 rubber seal on left pipe	 8X40mm X2 expansion nut	 ST4. 8X45mm X2 screw
 φ 6-8mm X2 expansion nut	 ST6. 8X67mm X2 screw	 φ 22X2mm X2 washer	 X2 M12 bolt	 X2 decorative cap	 X2 M12 nut
 φ 32. 5X2. 5mm X2 big washer	 X2 rubber sleeve	 X2 decorative cap base	 X2 steel expansion bolt	 φ 11X1. 2mm X2 washer	



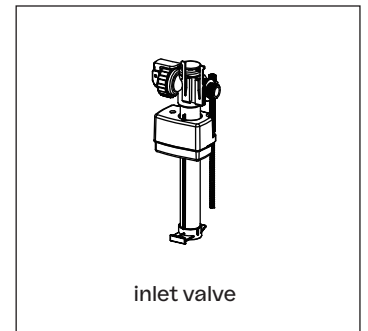
aluminum frame



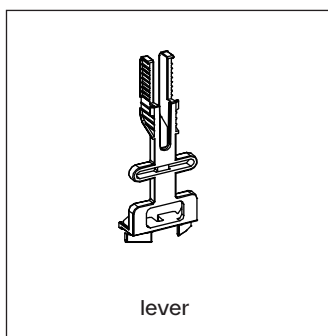
glass panel



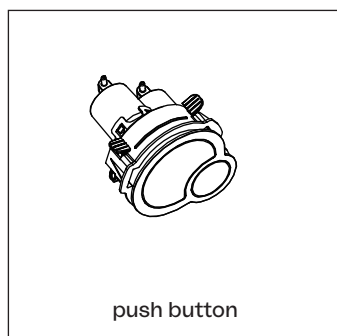
flush valve



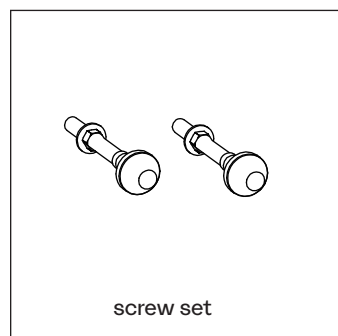
inlet valve



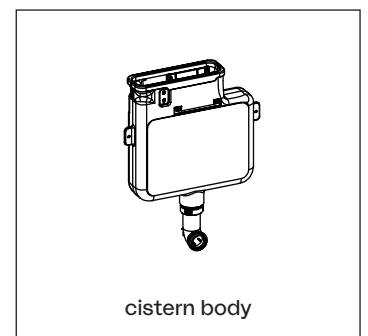
lever



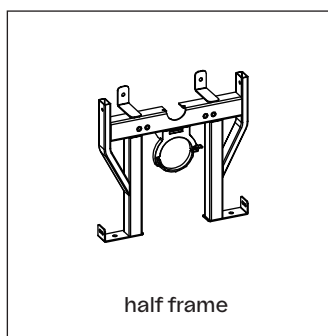
push button



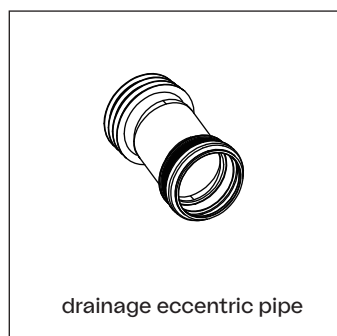
screw set



cistern body



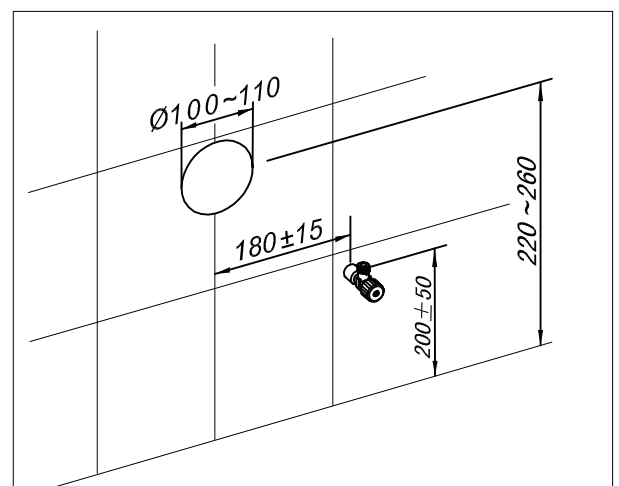
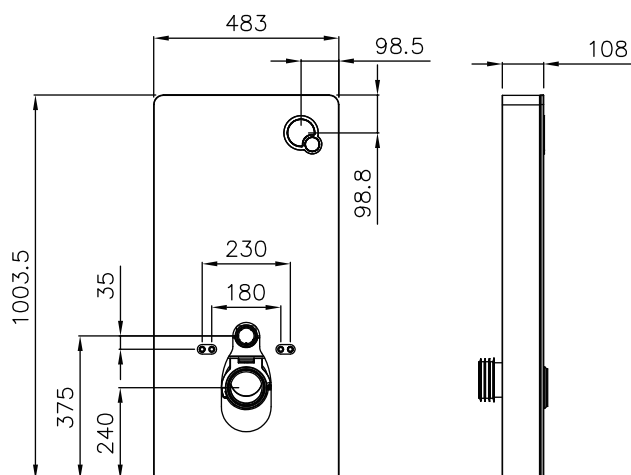
half frame



drainage eccentric pipe

TECHNICAL DRAWING, INLET SYSTEM & DRAINAGE SYSTEM

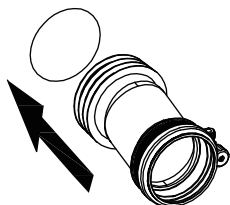
Unit:mm



INSTALLATION INSTRUCTION

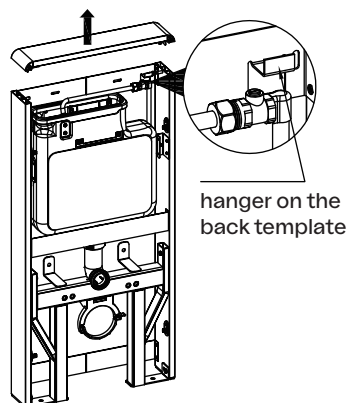
Step 1

Insert the drainage pipe into the drainage hole on the wall.



Step 2

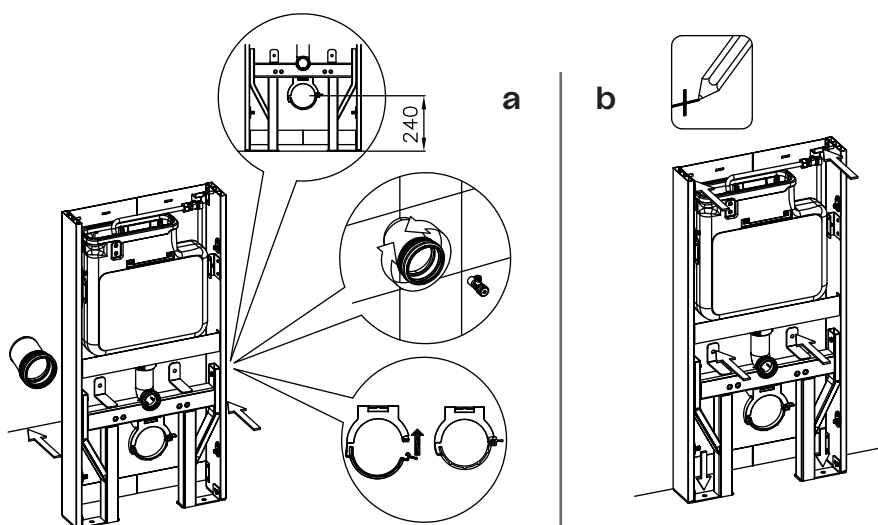
Remove the upper cover, pull up the braid tube until it gets off the hanger.



Step 3

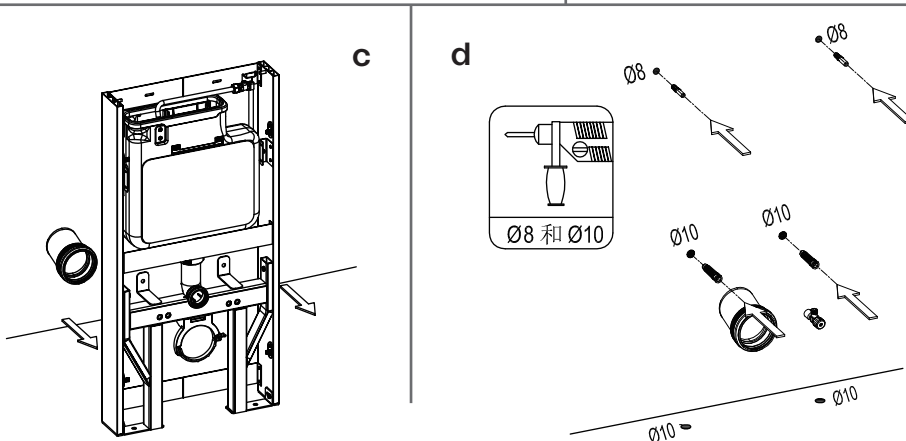
a: Lean the whole cistern to the wall and align the flush pipe position with the buckle.

b: As indicated by the arrows, mark the 4 spots on the wall and 2 spots on the ground accordingly.



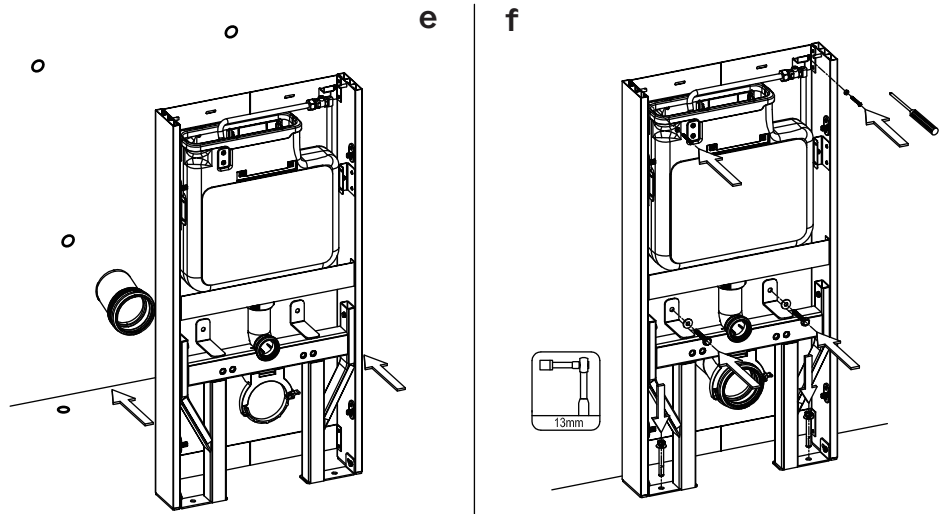
c: Move off cistern first.

d: Drill the holes according to the marked spots (the depth of the drill must be larger than the length of the expansion nut, the diameter shown as in the picture) and press the corresponding expansion nut into the hole.



e: Lean the whole frame onto the right position of the wall.

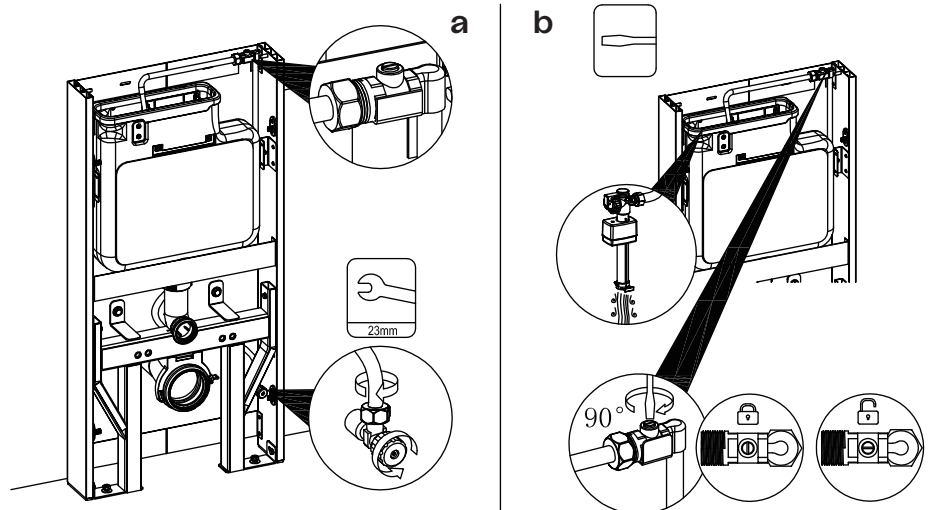
f: Look the corresponding size of the screws into the expansion nut in the wall and steel expansion bolt on the floor.



Step 4

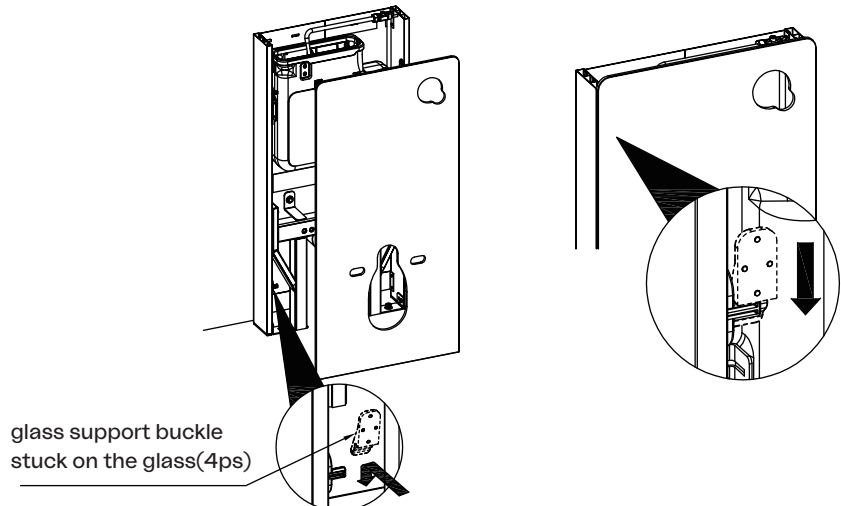
a: Buckle the braid tube onto the hanger again, and connect the tube to the angle valve on the wall.

b: Open the stop valve on the hose to see whether it is in good condition.



Step 5

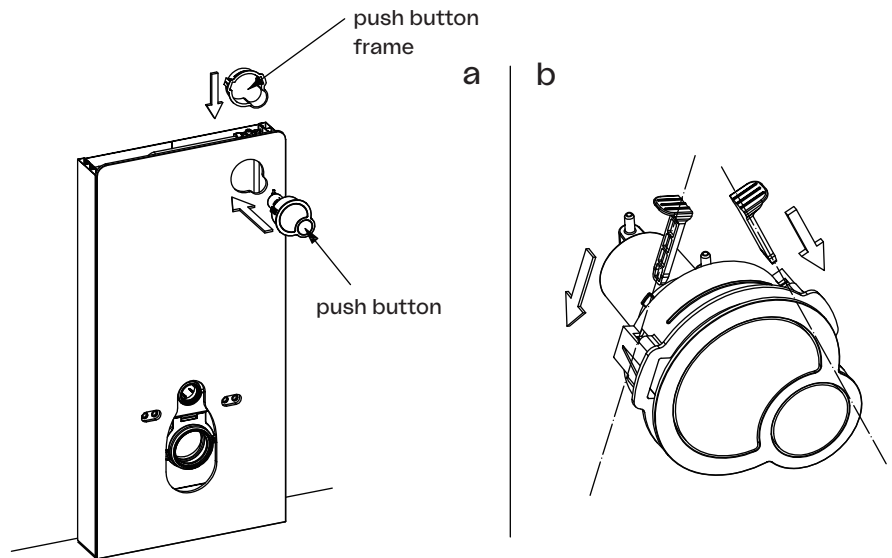
Install the glass onto the aluminum frame and push downward the glass support buckle until the buckles lock with pendant on the aluminum frame.



Step 6

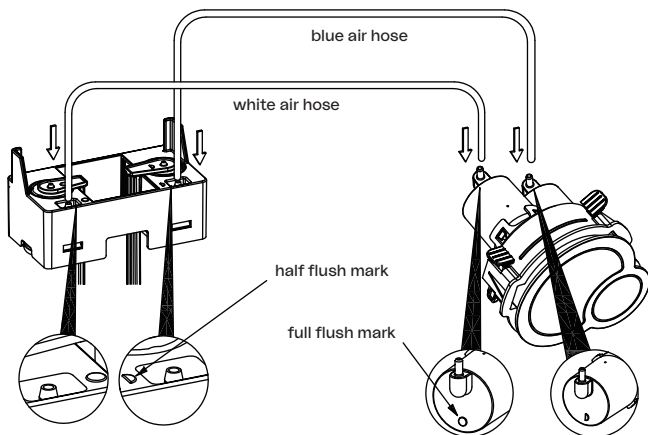
a: Install the push button frame and button onto the glass.

b: Insert the two plugs into the positions as shown.



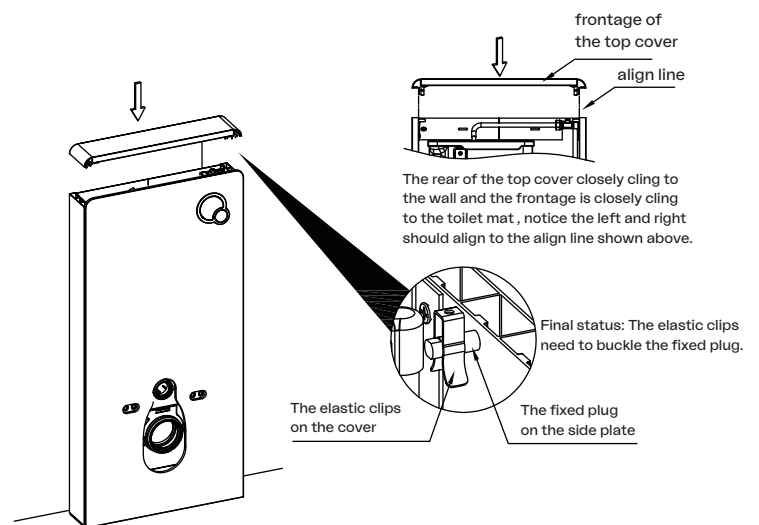
Step 7

Connect air hoses to the correct positions.



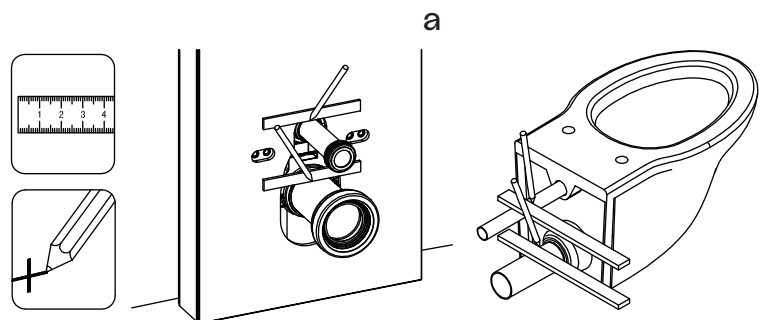
Step 8

Assemble the top cover back to the cistern frame.

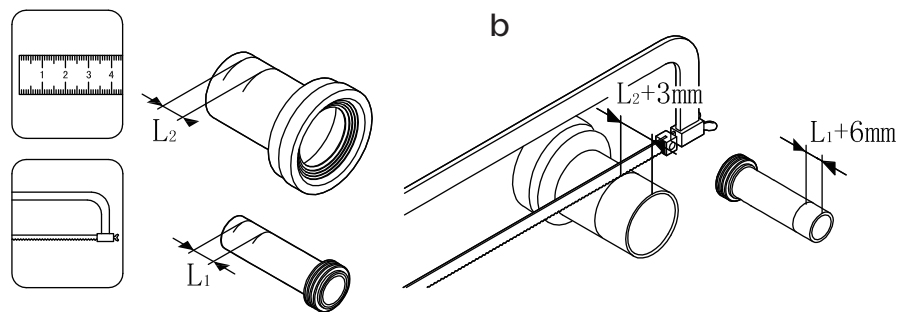


Step 9

a: Draw line on the straight flush pipe and drain pipe.

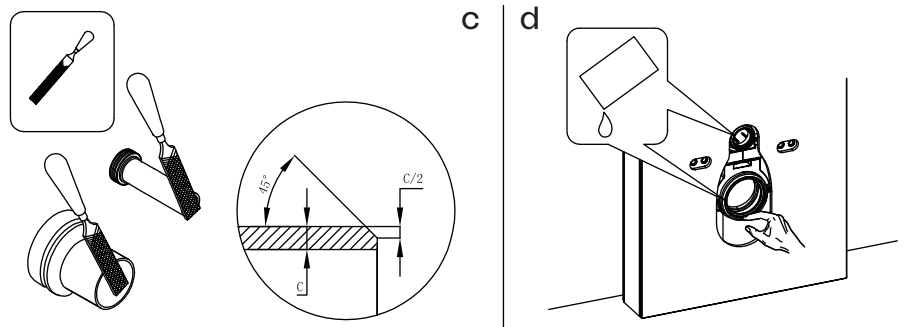


b: Cut the flush pipe and drainage pipe.



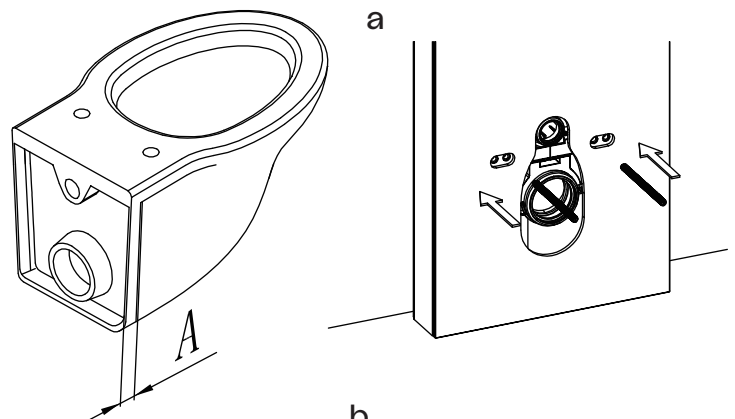
c: Apply chamfer on the mouth of the flush pipe and drain pipe.

d: Apply silicone oil.

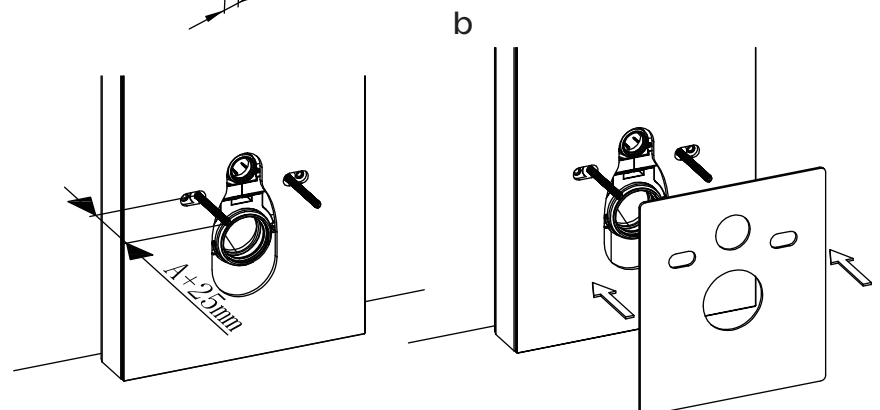


Step 10

a: Screw the bolts into the cistern frame.

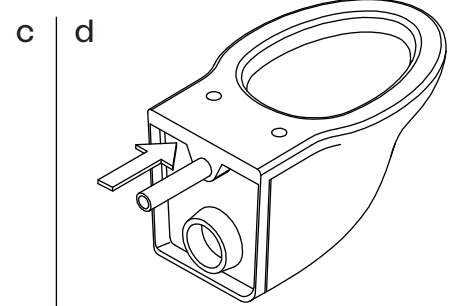
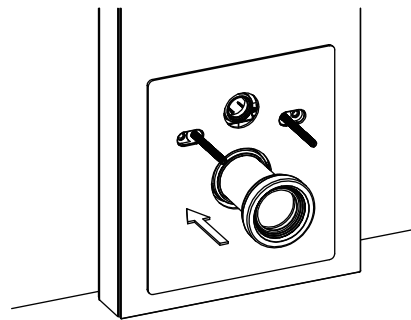


b: Install toilet mat.



c: Install the flush pipe onto the cistern.

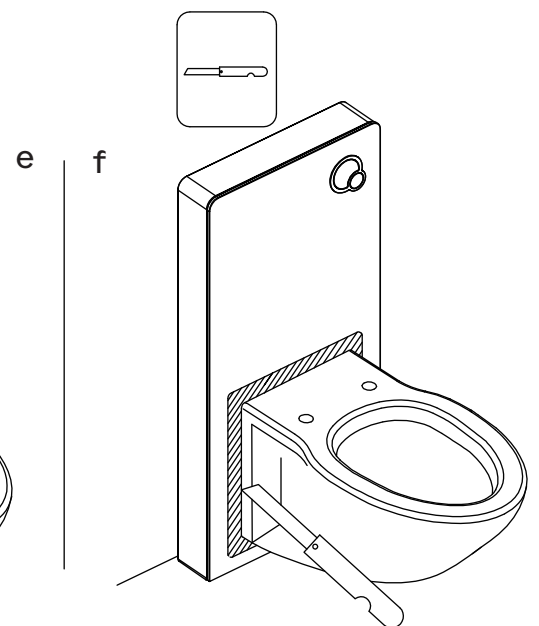
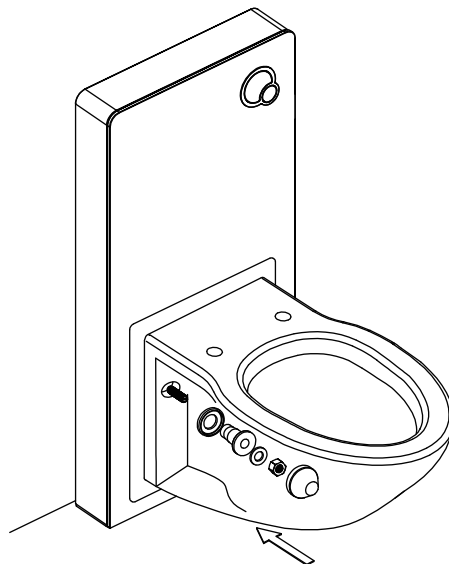
d: Install the flush pipe onto the toilet.



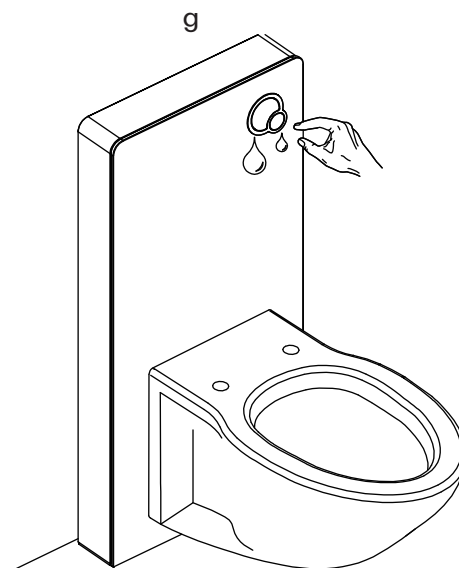
e: Install toilet.

Note: Toilet installation is for reference only. Actual installation should follow the toilet and its instruction.

f: Cut off extra part of the toilet mat.



g: Test half & full flush functions.



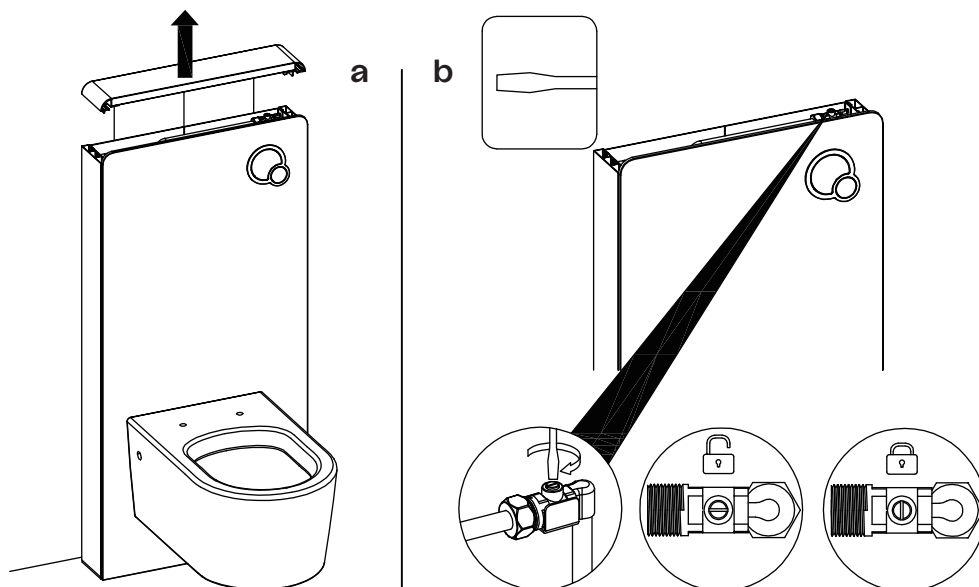
MAINTENANCE & DAILY CARE

Step 1

Inlet valve removal

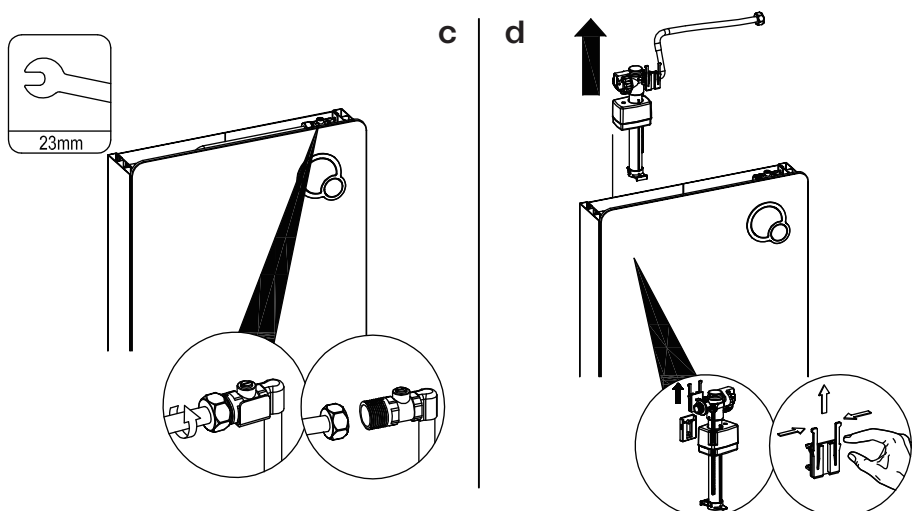
a: Remove the top cover.

b: Turn off the stop valve on the flexible hose.



c: Unconnect hose and the valve.

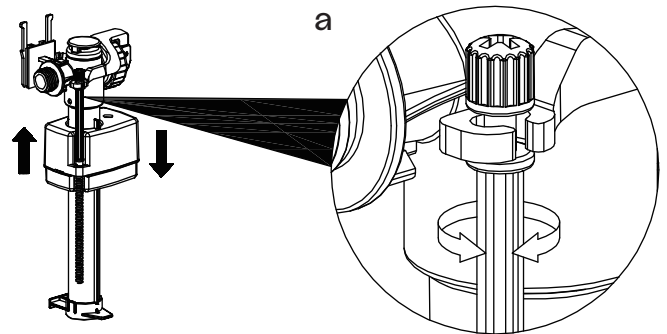
d: Take off the inlet valve upwards.



Step 2

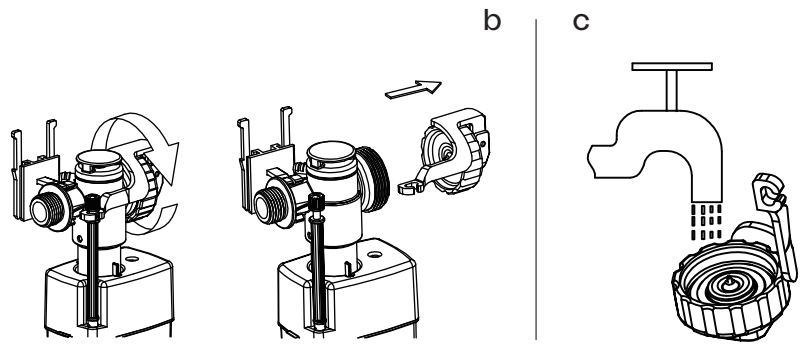
Inlet valve adjustment & clean

a: Adjust the float upwards to increase the inlet volume; or downwards to reduce the volume.



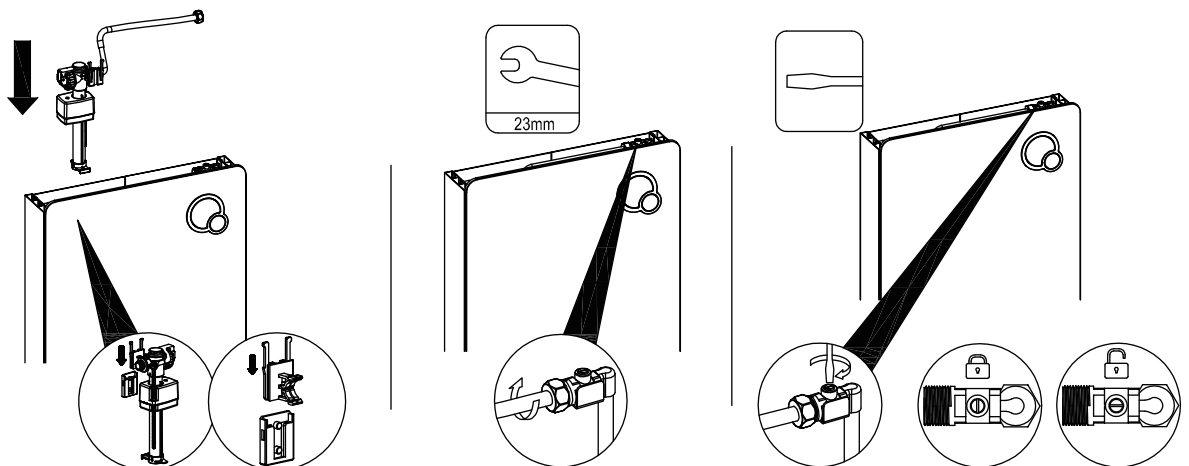
b: Remove the water-stopping part.

c: Wash this removed part.



Step 3

Inlet valve installation

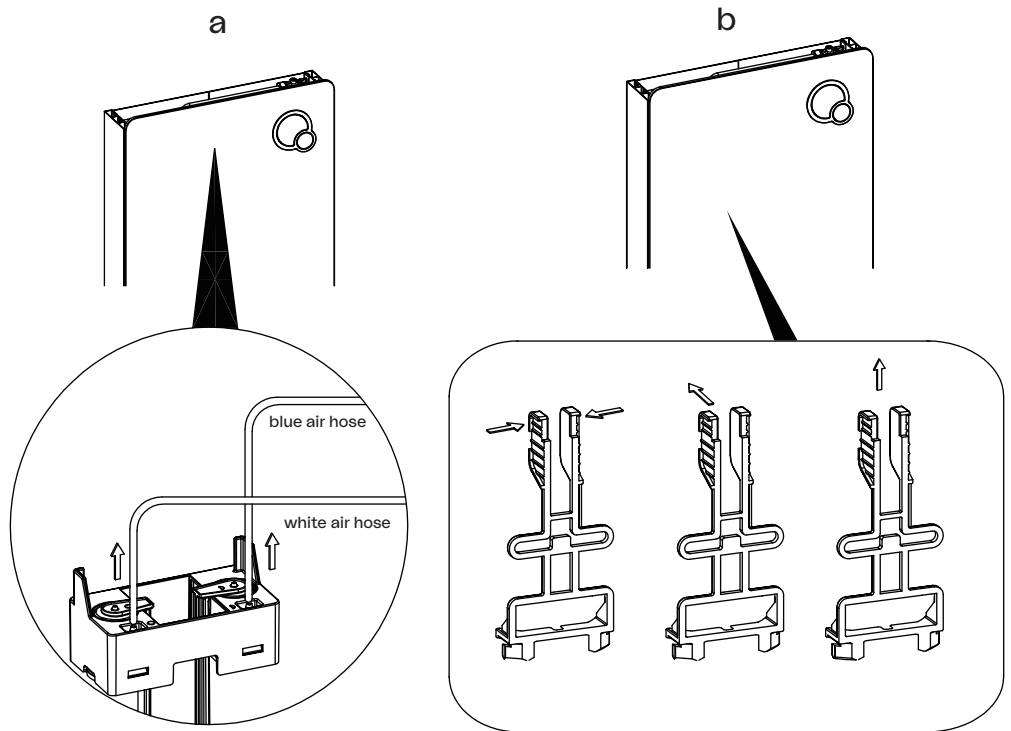


Step 4

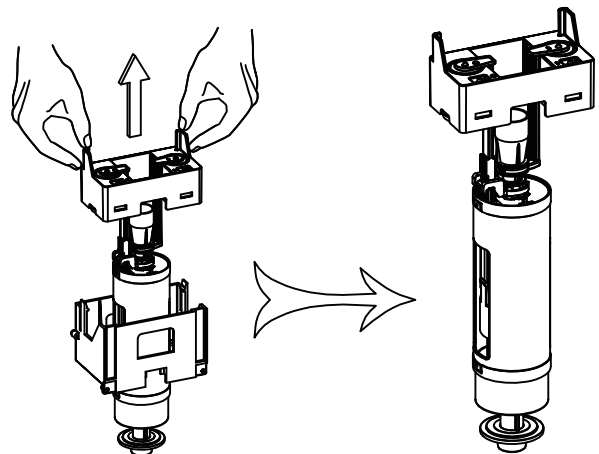
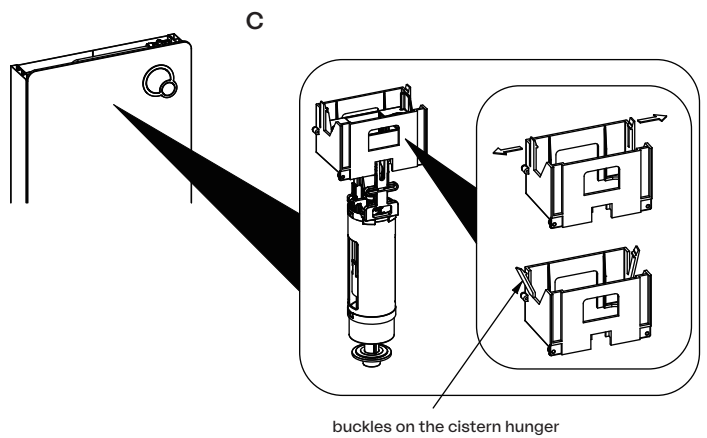
Flush valve removal

a: Un-connect the air hoses from the air hose holes .

b: Remove the lever.



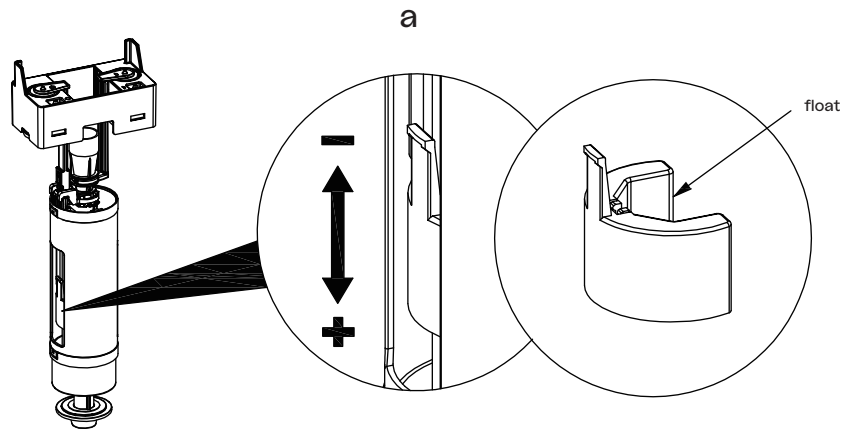
c: Lift upwards the flush valve after opening the buckles on the cistern hanger.



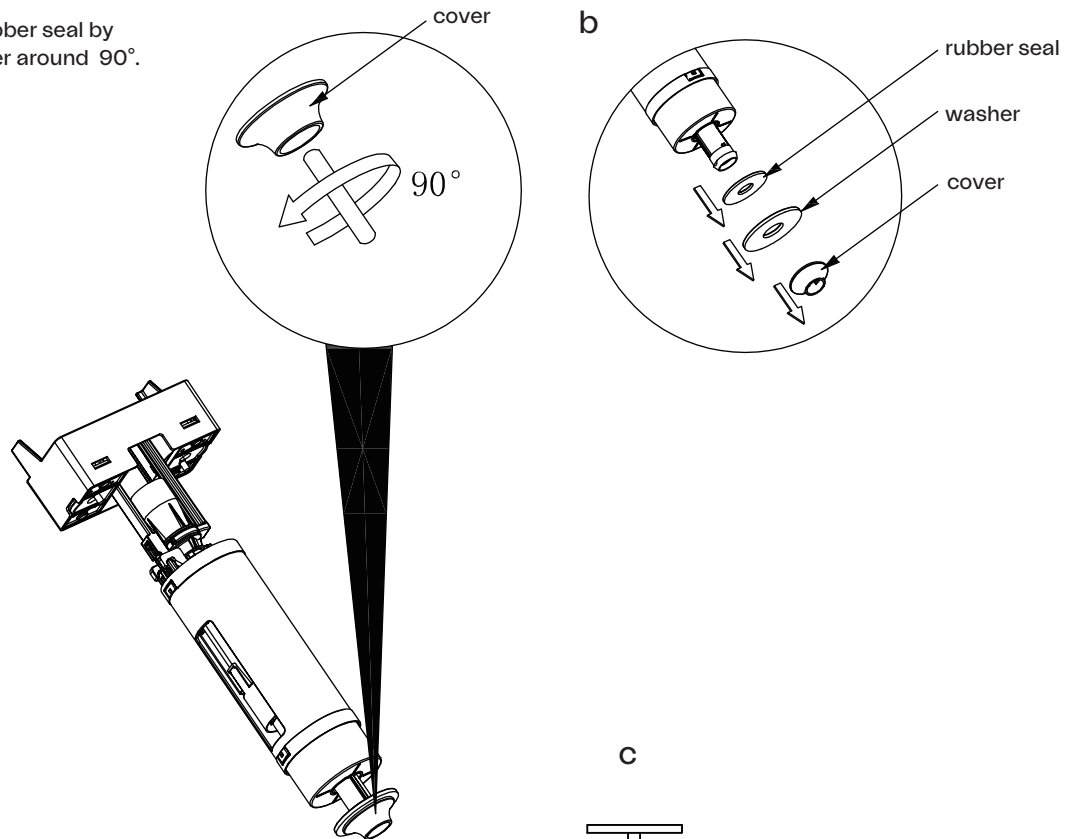
Step 5

Flush valve adjustment & clean

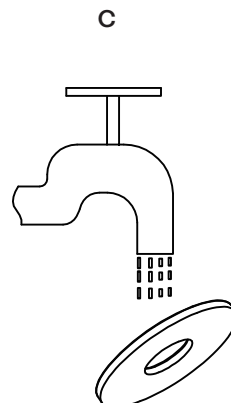
a: Adjust the float upwards to reduce the flush volume; or downwards to increase the volume .



b: Remove the cover, washer and rubber seal by rotating counterclockwisely the cover around 90°.



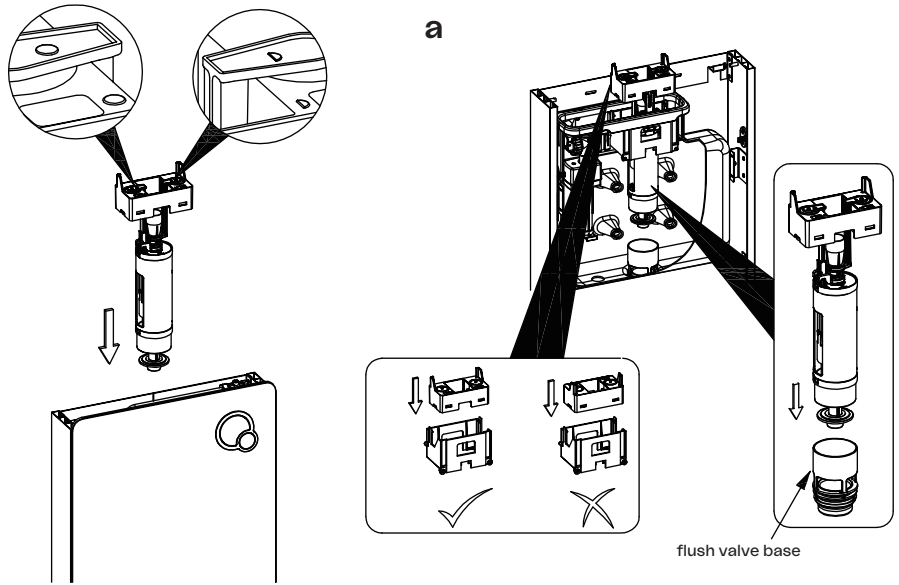
c: Clean the washer.



Step 6

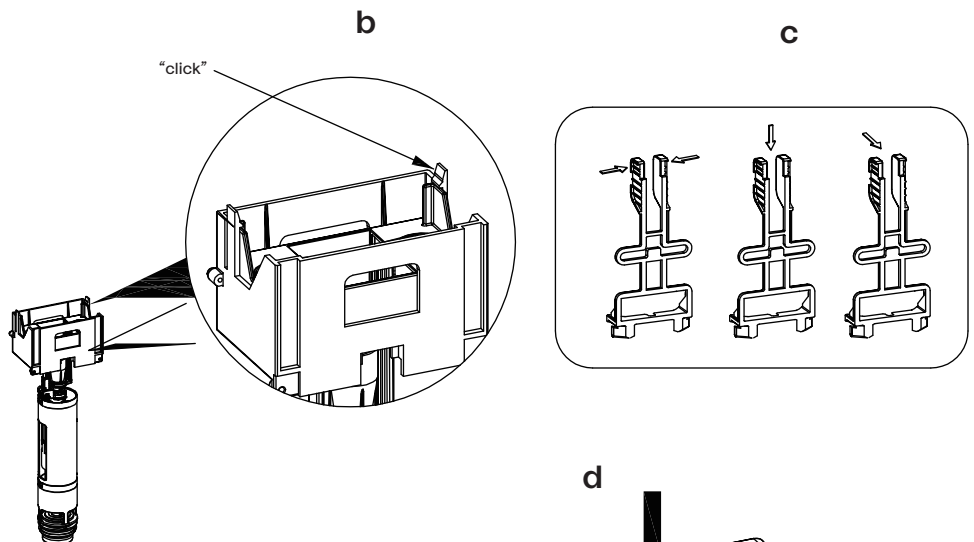
Flush valve installation

a: Install the flush valve downwards into the cistern body (Mark: make sure the flush valve bottom is aligned with flush valve base. And please make sure flush valve is installed in the shown direction during installation.)



b: Press the flush valve until it clicks in the correct position.

c: Re-install the lever.



d: Re-install the top glass cover.

