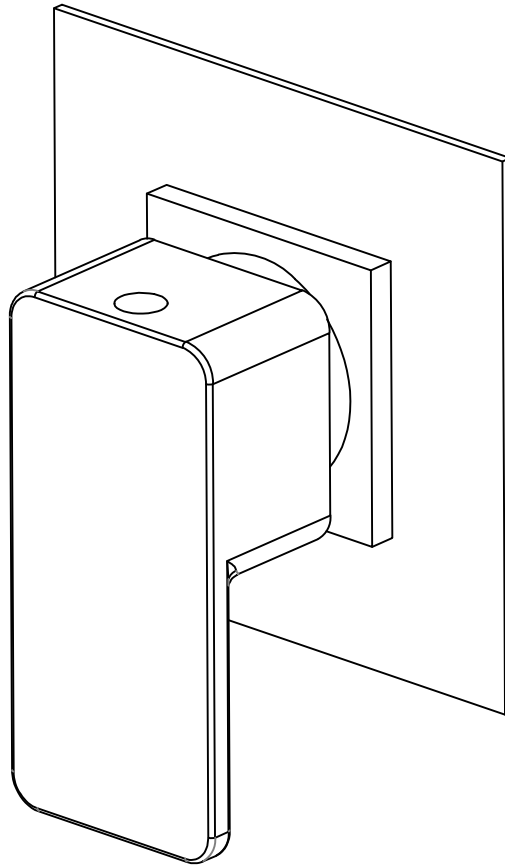


# GENERAL FITTING GUIDE

## CONCEALED 1/2" STOP TAP

PRODUCT SHOWN WILL VARY  
DEPENDING ON MODEL



### **Important information**

(Please leave this installation & user guide with the end user)

This installation guide is for a concealed 1/2" stop tap. It covers the installation and operation of the fitting.

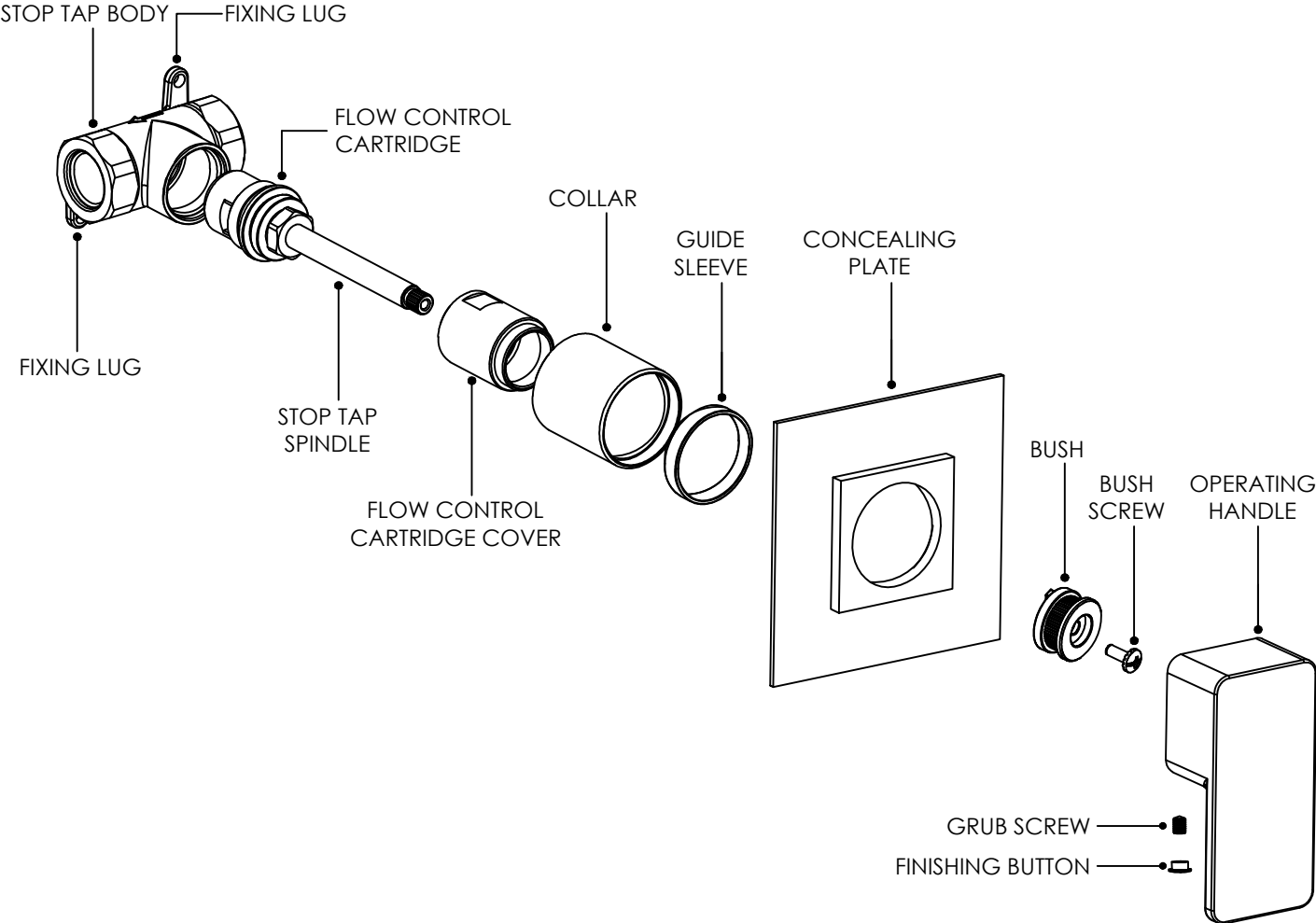
They are designed to receive temperature controlled mixed water, and should be fitted after a suitable mixing valve.

All these concealed 1/2" stop taps are operated manually, and independently control the flow of water to a single water outlet.

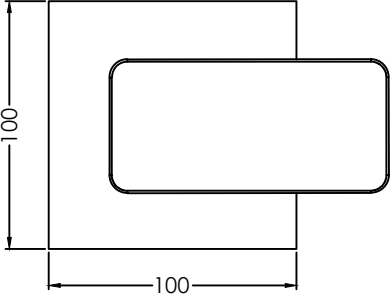
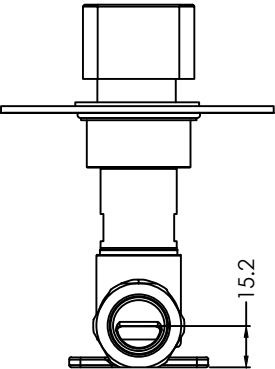
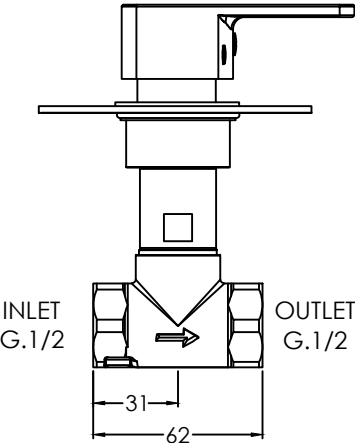
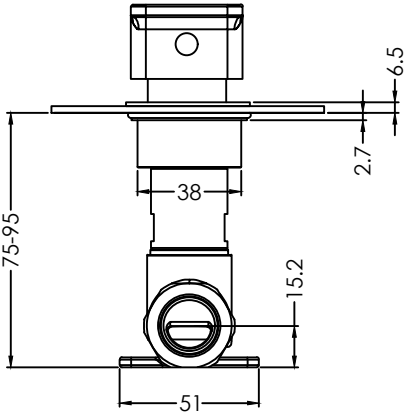
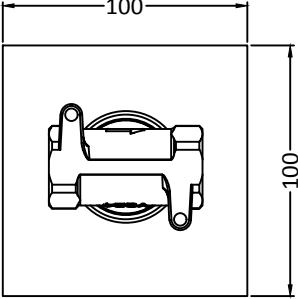
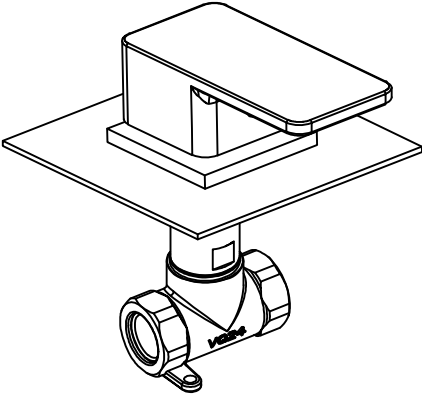
### **Safety**

We recommend that this product is fitted by a fully qualified installer. The installation must comply with all current water regulations. Please note: This valve **MUST** be commissioned during installation to suit site conditions. In order for this product to operate as designed it must be installed and commissioned as stated in this manual.

**Components List (Single Outlet)**



Key Dimensions



## Operation

Turn the operating handle 90 degrees to fully open the valve. Reversing this operation will close the valve.

## Installation

NB There is some in-wall adjustment on this stop tap to assist with installation. This needs to be planned before installation commences. See key dimensions for guidance.

1. Remove the collar and guide sleeve from the stop tap body, and leave to one side in a safe place.
2. Determine the fixing position and make a suitable recess in the wall to house the stop tap body.

NB this space should leave enough access to be able to service the stop tap body and all its connection points after the concealing plate is removed.

3. Secure the stop tap body in position to a suitable fixing point, using the fixing lugs that are cast into the body (fixings not supplied).
4. Now the stop tap body is securely mounted in the wall recess, make sure the pipe work is thoroughly flushed through to remove any debris from the system before connecting the water supplies to the stop tap body. NB Failure to do this could invalidate the guarantee.

NB The mixed water must flow through the stop tap as indicated by the flow directional arrow. The stop tap will not operate correctly if this step is not followed.

5. Make the plumbing connection to the water outlet. This will take the water to the chosen auxiliary product (shower kit) you have selected to run with this stop tap.
6. Turn on the water supplies and check for leaks.
7. The stop tap can now be commissioned.
8. Re-fit the collar and guide sleeve to the stop tap body.
9. Push the concealing plate over the collar, applying a small bead of silicone behind the concealing plate to create a water tight seal so that water cannot ingress into the wall cavity.
10. Fit the operating handle to the stop tap spindle.
11. Your stop tap is now ready for use.

## Aftercare

- When cleaning the valve please do not use a substance that could possibly damage the surface finish. We recommend that soapy water with a mild detergent is used.
- Please take care not to damage the surface finish of the valve. The finish is polished chrome and can be easily marked.