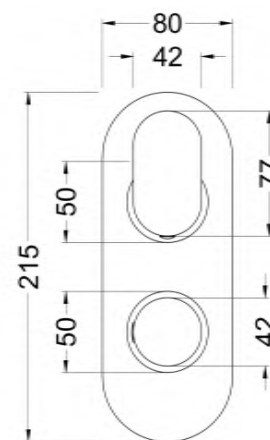
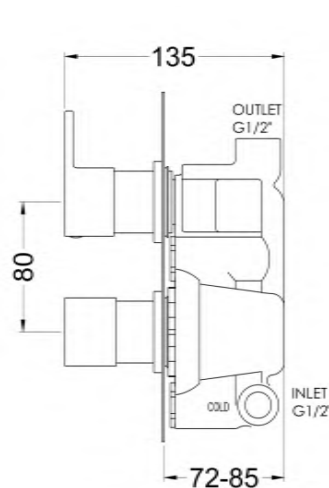


Sales Code: BINTW01

Description: Binsey Twin Thermostatic Valve



### Product Dimensions

Length (mm):	
Width (mm):	80
Height (mm):	215
Depth (mm):	136
Nett Weight (kg):	2.57

### Packaging Dimensions

Length (mm):	250
Width (mm):	240
Height (mm):	
Gross Weight (kg):	2.57

### Packaging Data

Box Colour:	White Cardboard Box
Box Qty:	1
Label Size:	100 x 50
Label Colour:	White Label
Label Qty:	1

### Outer Box Dimensions (If Applicable)

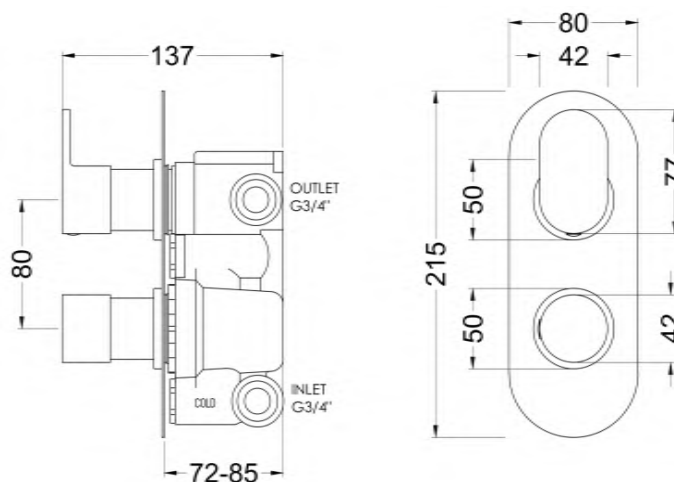
Length (mm):	
Width (mm):	360
Height (mm):	500
Depth (mm):	280
Gross Weight (kg):	15
Barcode:	5056211898962

### Product Details

Country of Origin:	United Kingdom
Fitting Instruction:	Yes
Product Material:	Brass/ABS
Mount Type:	Recessed, Wall
Outlet Elbow Supplied:	No
Easy Clean:	Not Applicable
Head Included:	No
Handset Included:	No
Body Jets Included:	Not Applicable
No of Body Jets:	Not Applicable
Operating Pressure (bar):	0.1
Valve/Cartridge Type:	1/4 Turn Ceramic Disc
Flow Rates (L/min):	0.1 bar: 5.5    0.5 bar: 14    1 bar: 20    2 bar: 29    3 bar: 44
TMV2 Approved: Yes	Approval No: Bc 1875 00817
TMV3 Approved: Yes	Approval No: Nsf 1938 1217
WRAS Approved: Yes	Approval No: 1703023
Head Function:	Not Applicable
Handset Function:	Not Applicable
Body Jet Info:	Not Applicable
Pipe Size:	15 mm (1/2" Bsp)
Pipe Centres:	N/A
Colour/Finish:	Chrome
Hose Included:	Not Applicable
No. of Outlets:	1

Sales Code: BINTW02

Description: Binsey Twin Thermostatic Valve W/Div



### Product Dimensions

Length (mm):	
Width (mm):	80
Height (mm):	215
Depth (mm):	136
Nett Weight (kg):	2.9

### Packaging Dimensions

Length (mm):	250
Width (mm):	240
Height (mm):	
Gross Weight (kg):	2.9

### Packaging Data

Box Colour:	White Cardboard Box
Box Qty:	1
Label Size:	100 x 50
Label Colour:	White Label
Label Qty:	1

### Outer Box Dimensions (If Applicable)

Length (mm):	
Width (mm):	420
Height (mm):	500
Depth (mm):	270
Gross Weight (kg):	16
Barcode:	5056211898979

### Product Details

Country of Origin:	United Kingdom
Fitting Instruction:	Yes
Product Material:	Brass/ABS
Mount Type:	Recessed, Wall
Outlet Elbow Supplied:	No
Easy Clean:	Not Applicable
Head Included:	No
Handset Included:	No
Body Jets Included:	No
No of Body Jets:	Not Applicable
Operating Pressure (bar):	0.5
Valve/Cartridge Type:	1/4 Turn Ceramic Disc
Flow Rates (L/min):	0.1 bar: N/A 0.5 bar: 13 1 bar: 17 2 bar: 24 3 bar: 27
TMV2 Approved:	No Approval No: N/A
TMV3 Approved:	No Approval No: N/A
WRAS Approved:	No Approval No: N/A
Head Function:	Not Applicable
Handset Function:	Not Applicable
Body Jet Info:	Not Applicable
Pipe Size:	22 mm (3/4" Bsp)
Pipe Centres:	N/A
Colour/Finish:	Chrome
Hose Included:	Not Applicable
No. of Outlets:	2