

ROCKFORD 18/10 STAINLESS STEEL INSET SINK

RK9851L/



Size: 985 x 508 mm

Incorporating classic linear styling and featuring distinctive bold lines, Rockford is a versatile kitchen sink suitable for traditional and contemporary styled kitchen schemes.

- Left-hand drainer
- Micro-sheen™ soft brushed finish
- Manufactured from 18/10 stainless steel
- Waste kit included
- 25 year warranty

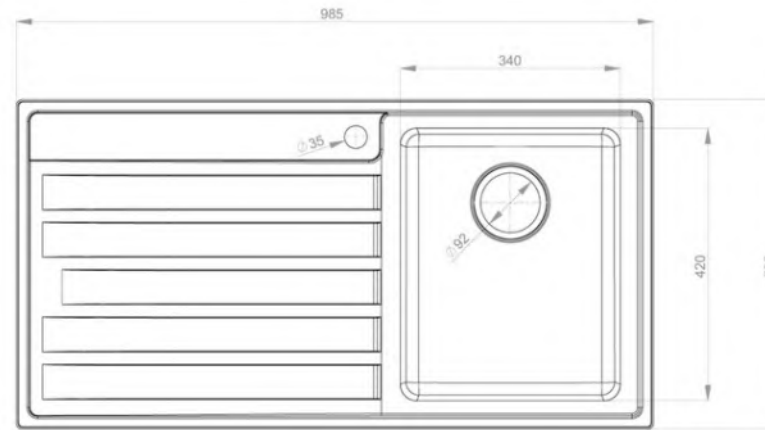
Material	18/10
Material Gauge	0.9
Material Finish Bowl	Micro
Material Finish Drainer	Micro
Drainer Position	Left
Overall Length (mm)	985
Overall Width (mm)	508
Main Bowl Length (mm)	340
Main Bowl Width (mm)	420
Main Bowl Depth (mm)	190
Second Bowl Length (mm)	-
Second Bowl Width (mm)	-
Second Bowl Depth (mm)	-
Tap hole Size (mm)	1 x 3
Waste Size (mm)	1 x 8
Waste Kit:	Inclu
Min. Base Unit (mm)	600
Cutout Size Length (mm)	965
Cutout Size Width (mm)	488
Warranty Sinks (years)	0
Product Code	RK98
Barcode	5015

AGA Rangemaster continuously seeks improvements in specification, design and production of products and thus, alterations take place periodically. Whilst every effort is made to produce up to date resources, the information included here is intended as a guide. Always consult the technical manual and should be completed by a professional tradesman.

ROCKFORD 18/10 STAINLESS STEEL INSET SINK

RK9851L/

Technical Drawing

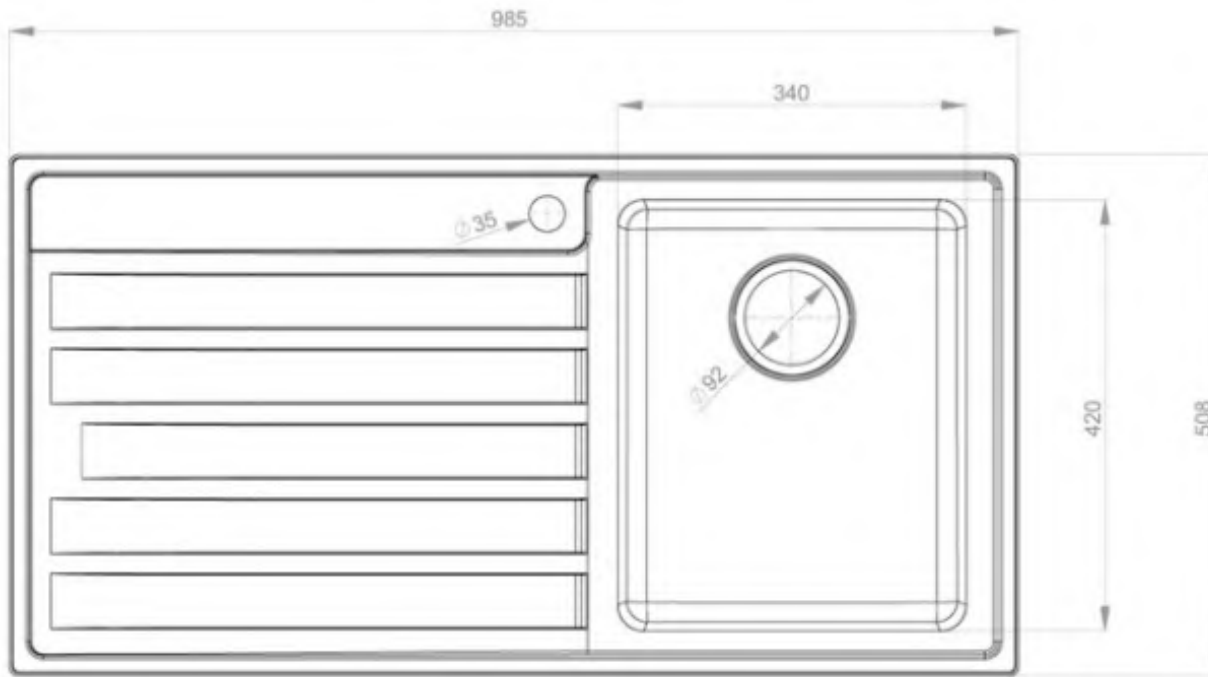


AGA Rangemaster continuously seeks improvements in specification, design and production of products and thus, alterations take place periodically. Whilst every effort is made to produce up to date resources, the information included here is intended as a guide. Always should be completed by a professional tradesman.

ROCKFORD 18/10 STAINLESS STEEL INSET SINK

RK9851L/

Cut Out Template
Dimensions in mm. Not to scale.



AGA Rangemaster continuously seeks improvements in specification, design and production of products and thus, alterations take place periodically. Whilst every effort is made to produce up to date resources, the information included here is intended as a guide. Always should be completed by a professional tradesman.