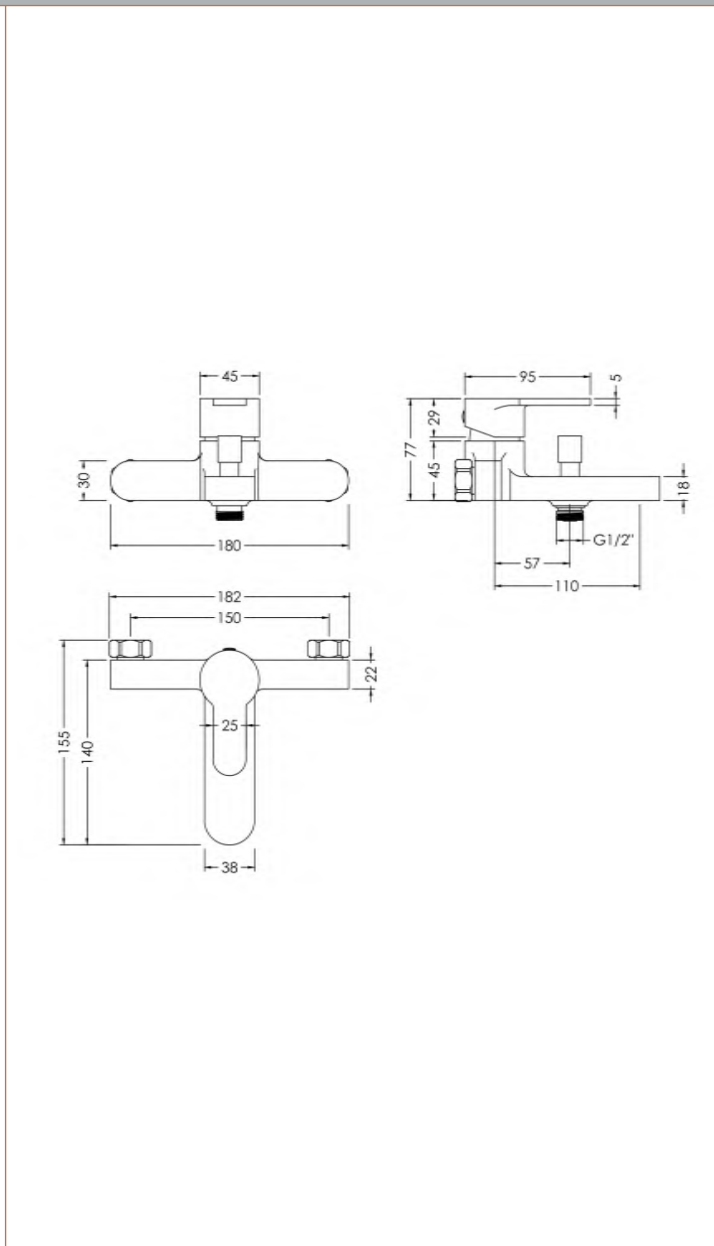


Sales Code: ARV316

Description: Arvan W/M SI Bsm With Kit



### Product Dimensions

|                   |      |
|-------------------|------|
| Height (mm):      | 77   |
| Width (mm):       | 180  |
| Depth (mm):       | 190  |
| Length (mm):      |      |
| Nett Weight (kg): | 1.71 |

### Packaging Dimensions

|                    |      |
|--------------------|------|
| Height (mm):       | 85   |
| Width (mm):        | 220  |
| Depth (mm):        | 330  |
| Gross Weight (kg): | 1.71 |

### Packaging Data

|               |                     |
|---------------|---------------------|
| Box Colour:   | White Cardboard Box |
| Box Qty:      | 1                   |
| Label Size:   | 100 x 50            |
| Label Colour: | White Label         |
| Label Qty:    | 1                   |

### Outer Box Dimensions (If Applicable)

|                    |               |
|--------------------|---------------|
| Height (mm):       | 565           |
| Width (mm):        | 525           |
| Depth (mm):        | 350           |
| Length (mm):       |               |
| Gross Weight (kg): |               |
| Barcode:           | 5056211898610 |

### Product Details

|                              |   |
|------------------------------|---|
| Country of Origin:           | China   |
| Fitting Instruction:         | Yes   |
| Product Material:            | Brass/ABS   |
| Control Type:                | Manual  |
| Waste Included:              | Waste Not Included  |
| Waste Type:                  | Not Applicable  |
| WRAS Approval: No            | Approval No: N/A  |
| Valve/Cartridge Type:        | 1/4 Turn Ceramic Disc                                       |
| Colour/Finish:               | Chrome  |
| Mount Type:                  | Wall  |
| Operating Pressure (bar):    | 3   |
| Flow Rates: (Litres Per Min) | 0.1 bar: 3.6 0.5 bar: 8.1 1 bar: 11.5 2 bar: 16.4 3 bar: 20 |
| Pipe Size:                   | 3/4"  |
| Pipe Centres:                | 150   |