

AQUACLASSIC 2 DUAL LEVER TAP BRUSHED



Featuring a classic design with a tall sweeping neck spout, Aquaclassic 2 is available in a choice of several different coloured handle options.

The Aquaclassic 2 kitchen tap sits perfectly within a traditionally styled kitchen, the ideal accompaniment with a ceramic kitchen sink.

- This tap model features a brushed finish
- Suitable for all pressure water systems
- Featuring an anti-splash spout with honeycomb aerator design which mixes air with water to emit a water flow with no splash

RANGEmaster
sinks & taps

Overall Height (mm)	359
Spout Reach (mm)	190
Spout Height (mm)	229
Spout Rotation Range	360°
Handle Type	Dual Lever
Colour	Brushed
Bar Pressure Suitability	All Pressure
Min. Bar Pressure	0.30
Max. Bar Pressure	5.50
Mixed Flow Rate at 3 Bar Pressure (l/min)	18.13
Flow Type	Dual Flow
Recommended Hot Water Temperature	46°C
Maximum Hot Water Temperature	70°C
Handle Control	Quarter Turn
Centre Distance (mm)	-
Cartridge Type	Ceramic Disc Cartridge
Aerator Type	Honeycomb Aerator
Inlet Pipes	Copper Rigid Tubes
Anti-Splash Spout	Yes
Pull Out Spray	
WRAS Approved	Yes
Product Code	TAC2BF/BF
Barcode	5015834045771

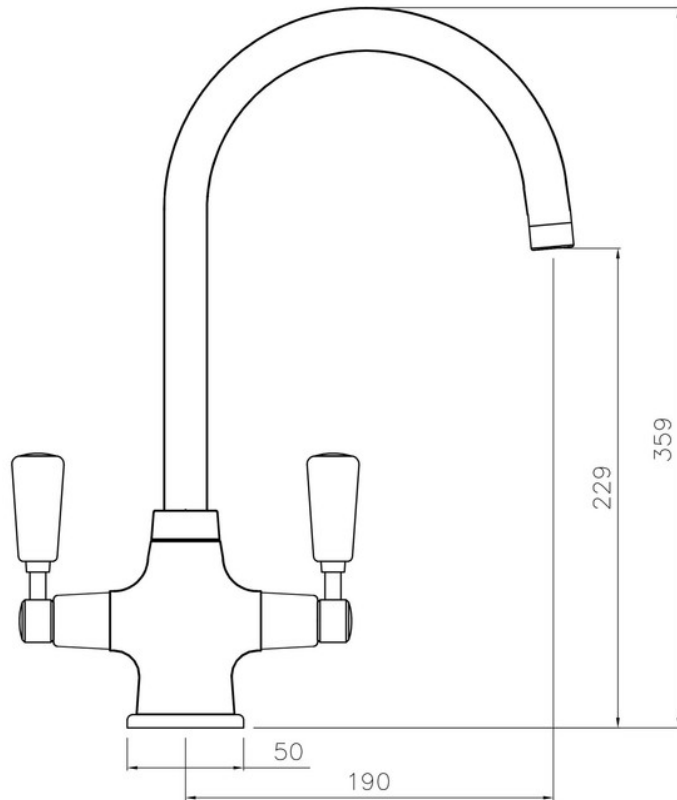
Date of download: April 01, 2021

AGA Rangemaster continuously seeks improvements in specification, design and production of products and thus, alterations take place periodically. Whilst every effort is made to produce up-to date resources, the information included here is intended as a guide. Always refer to the product's installation instructions when fitting, installation work should be completed a professional tradesman.

AQUACLASSIC 2 DUAL LEVER TAP BRUSHED

TAC2BF/BF

Technical Drawing



Date of download: April 01, 2021

AGA Rangemaster continuously seeks improvements in specification, design and production of products and thus, alterations take place periodically. Whilst every effort is made to produce up-to date resources, the information included here is intended as a guide. Always refer to the product's installation instructions when fitting, installation work should be completed a professional tradesman.