

# ESTUARY DUAL LEVER TAP CHROME



Incorporating traditional styling, the Estuary kitchen tap features elegant dual lever handles with quarter turn function ensuring a precise flow of water at the turn of the handle. Estuary is available in three finishes; chrome, brushed and brushed copper.

- Suitable for all pressure water systems
- Featuring an anti-splash spout with honeycomb aerator design which mixes air with water to emit a water flow with no splash

**RANGEmaster**  
sinks & taps

Overall Height (mm)	361
Spout Reach (mm)	194
Spout Height (mm)	230
Spout Rotation Range	360°
Handle Type	Dual Lever
Colour	Chrome
Bar Pressure Suitability	All Pressure
Min. Bar Pressure	0.30
Max. Bar Pressure	5.50
Mixed Flow Rate at 3 Bar Pressure (l/min)	15.92
Flow Type	Dual Flow
Recommended Hot Water Temperature	46°C
Maximum Hot Water Temperature	70°C
Handle Control	Quarter Turn
Centre Distance (mm)	-
Cartridge Type	Ceramic Disc Cartridge
Aerator Type	Honeycomb Aerator
Inlet Pipes	1 2 Stainless Flexible Hoses
Anti-Splash Spout	Yes
Pull Out Spray	
WRAS Approved	No
Product Code	TES1CM/
Barcode	5015834050140

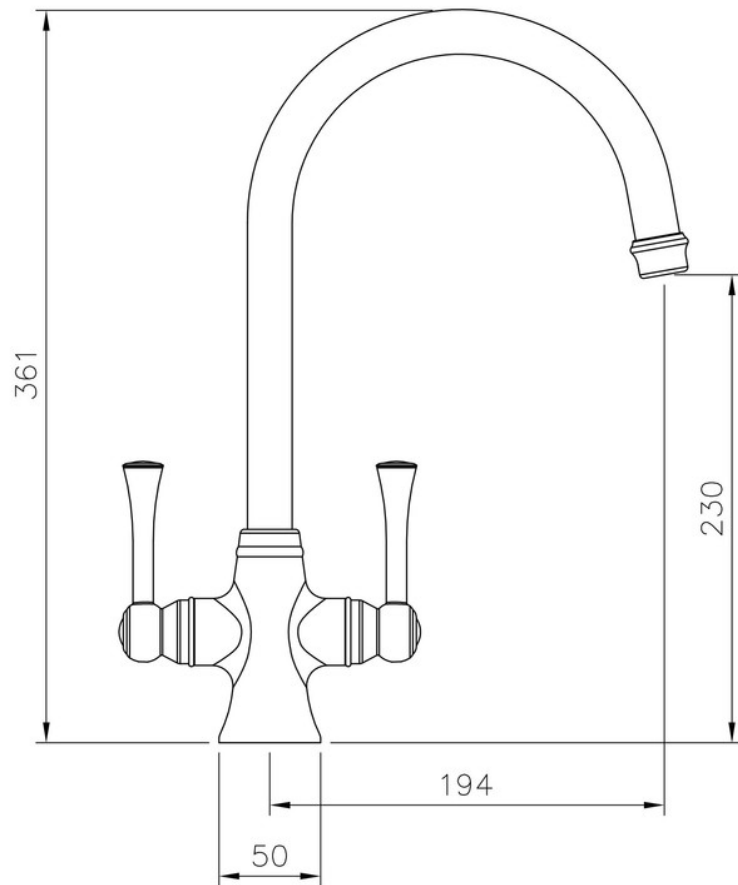
Date of download: April 13, 2021

AGA Rangemaster continuously seeks improvements in specification, design and production of products and thus, alterations take place periodically. Whilst every effort is made to produce up-to date resources, the information included here is intended as a guide. Always refer to the product's installation instructions when fitting, installation work should be completed a professional tradesman.

# ESTUARY DUAL LEVER TAP CHROME

TES1CM/

## Technical Drawing



Date of download: April 13, 2021

AGA Rangemaster continuously seeks improvements in specification, design and production of products and thus, alterations take place periodically. Whilst every effort is made to produce up-to date resources, the information included here is intended as a guide. Always refer to the product's installation instructions when fitting, installation work should be completed a professional tradesman.