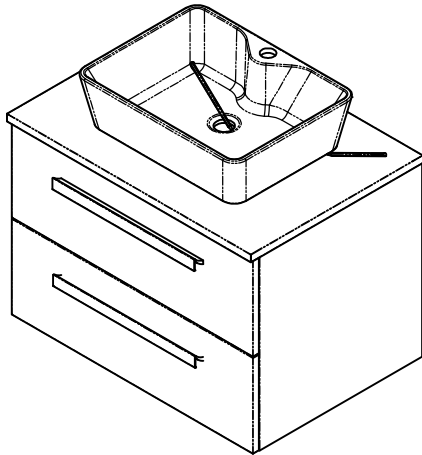


GENERAL FITTING GUIDE

COUNTERTOP BASINS & VESSELS

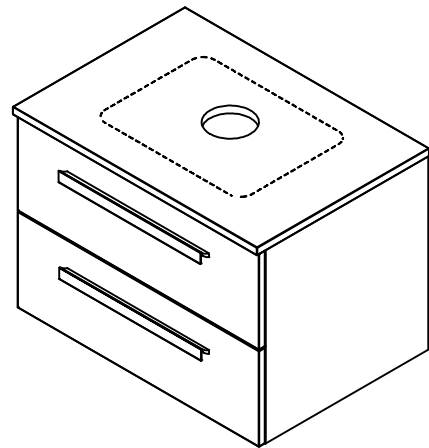
PRODUCT SHOWN WILL VARY
DEPENDING ON MODEL

1



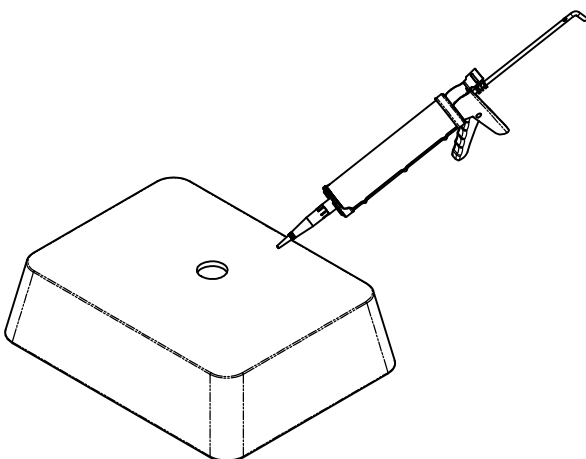
PLACE THE BASIN ON THE UNIT WORKTOP. MARK AROUND THE BASE, POSITION OF THE WASTE ANY ANY TAP HOLES IF REQUIRED.

2



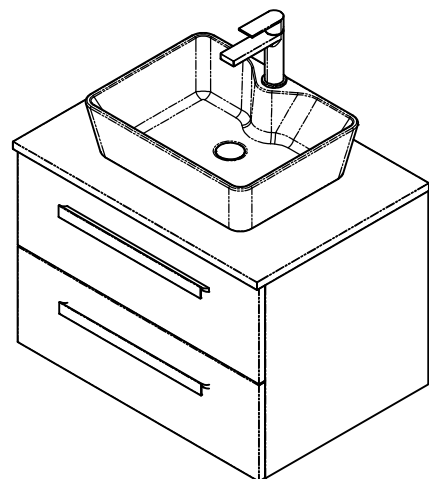
CUT-OUT THE WASTE ALLOWING FOR ACCESS (APPROX 120mm DIAMETER) MAKING SURE THE CUT OUT IS NOT VISIBLE WHEN THE BASIN IS IN PLACE. ALSO CUT OUT FOR THE TAP AND CONNECTIONS IF REQUIRED. ENSURE ALL CUT EDGES ARE SEALED AGAINST WATER INGRESS.

4



FIT THE BASIN WASTE, MAKING SURE THERE'S A GOOD SEAL. FIT ANY BRASSWARE AND CONNECTIONS IF REQUIRED AT THIS POINT. APPLY A BEAD OF SILICONE AROUND THE BASE OF THE BASIN THAT WILL BE IN CONTACT WITH THE WORKTOP.

4



PLACE THE BASIN IN POSITION ON THE WORK SURFACE AND PRESS DOWN TO MAKE A SEAL. CLEAN OFF ANY EXCESS SEALANT (FOLLOW THE MANUFACTURERS INSTRUCTION REGARDING CURE TIME) FINALLY, MAKE ALL SERVICE CONNECTIONS.