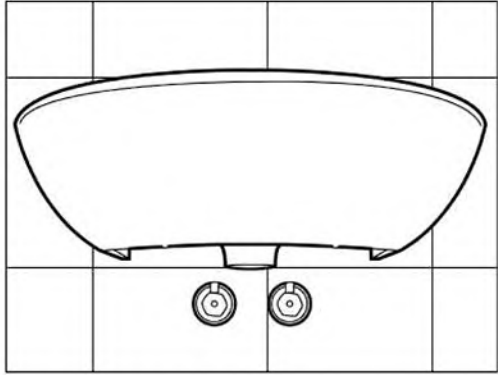
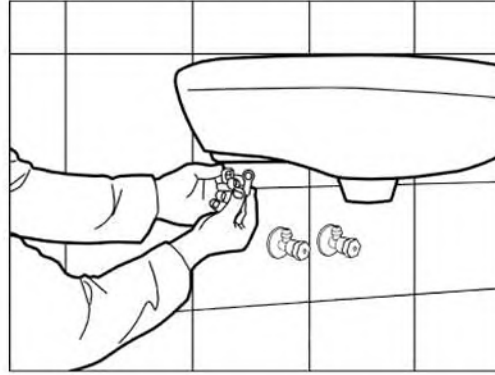


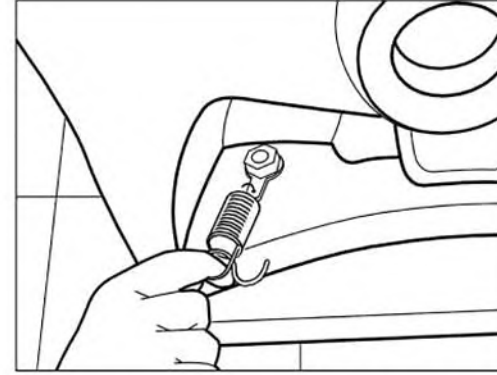
Washbasin with Semi-Pedestal (with Spring)



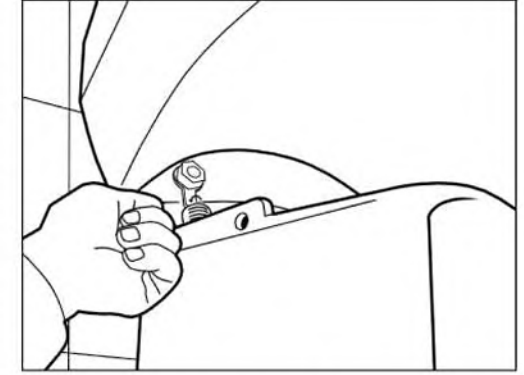
1. The washbasin is mounted on the wall.



2. The spring fixing washer is installed on washbasin mounting screw and the nut is tightened.



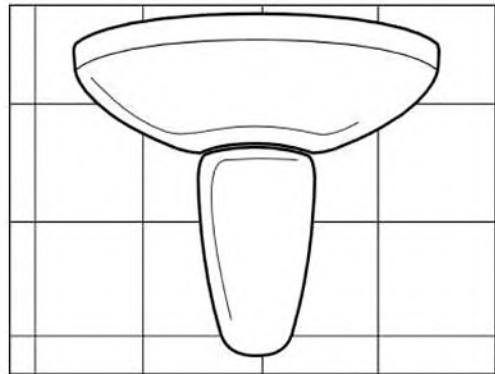
3. The tightening spring end is hooked on the last hole of spring fixing washer and spring stretching ring is held.



4. At the same time the semi-pedestal is placed under the washbasin. The hook of the spring stretched to the fixture hole of the semi-pedestal is attached to the hole.



4a. Spring fixings supplied with a sleeve are adjustable. Rotate the sleeve anti-clockwise to shorten and clockwise to lengthen.



5. Mounting is completed attaching the other spring with the same method, too.