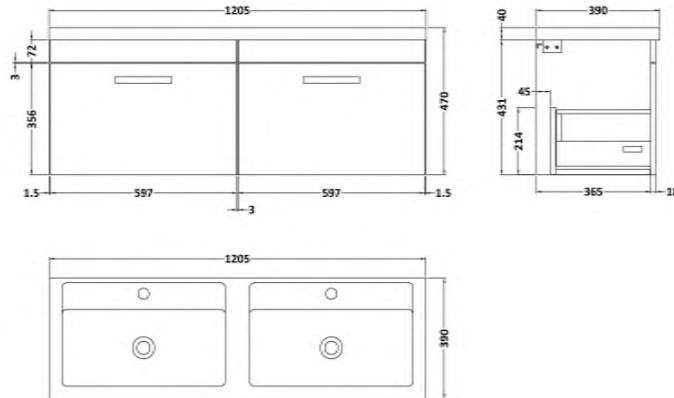


Sales Code: ATH041C

Description: 1200 Wh 2-Drawer Vanity & Double Basin

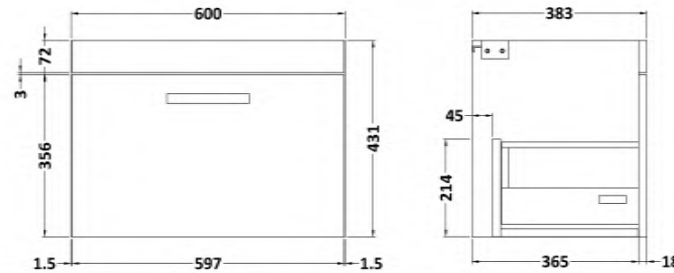
### Packaging Details

Barcode: 5056211815334



Sales Code: MOE183

Description: 600 Wall Hung Single Drawer Basin Unit



### Product Dimensions

|                   |     |
|-------------------|-----|
| Height (mm):      | 430 |
| Width (mm):       | 600 |
| Depth (mm):       | 383 |
| Nett Weight (kg): | 13  |

### Packaging Dimensions

|                    |      |
|--------------------|------|
| Height (mm):       | 450  |
| Width (mm):        | 620  |
| Depth (mm):        | 405  |
| Gross Weight (kg): | 13.5 |

### Packaging Data

|               |                               |
|---------------|-------------------------------|
| Box Colour:   | Brown Cardboard Box - Printed |
| Box Qty:      | 0                             |
| Label Size:   | 0 x 0                         |
| Label Colour: | White Label                   |
| Label Qty:    | 2                             |

### Outer Box Dimensions (If Applicable)

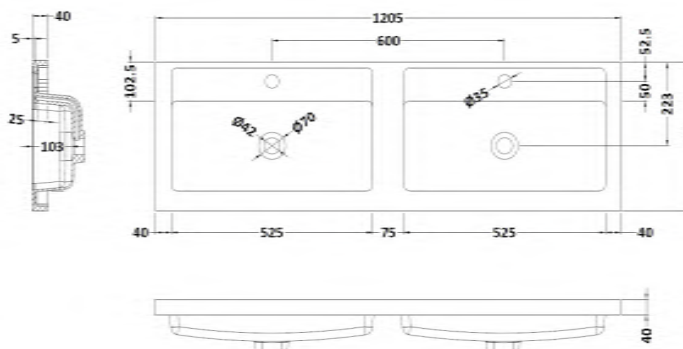
|                    |               |
|--------------------|---------------|
| Height (mm):       |               |
| Width (mm):        |               |
| Depth (mm):        |               |
| Gross Weight (kg): |               |
| Barcode:           | 5055275880661 |

### Product Details

|                         |                           |
|-------------------------|---------------------------|
| Country of Origin:      | China                     |
| Fitting Instruction:    | No                        |
| Certification:          | FSC: Yes CE: N/A          |
| Colour:                 | Gloss White               |
| Construction Method:    | Cam & Wood Dowel          |
| Construction Type:      | Rigid                     |
| Cabinet Finish:         | MFC Painted Gloss         |
| Fascia Finish:          | Mdf Painted Gloss         |
| Cabinet Thickness (mm): | 16                        |
| Fascia Thickness (mm):  | 18                        |
| Drawer Included:        | Yes                       |
| Drawer Type:            | 80mm High Metal Softclose |
| No of Shelves:          | 0                         |
| Hinge Type:             | Not Applicable            |
| Hinge Included:         | Not Applicable            |
| Adjustable Legs:        | No, Not Required          |
| Fixings Included:       | Yes                       |
| Handle Style:           | Contemporary              |
| Handle Included:        | Yes, Supplied             |
| Waste Shroud:           | Yes                       |
| Handle Type:            | D-Shape                   |

Sales Code: PMB424

Description: Double Polymarble Basin 1205 X 390



**Product Dimensions**

|                   |       |
|-------------------|-------|
| Height (mm):      | 390   |
| Width (mm):       | 1205  |
| Depth (mm):       | 157   |
| Nett Weight (kg): | 18.12 |

**Packaging Dimensions**

|                    |       |
|--------------------|-------|
| Height (mm):       | 100   |
| Width (mm):        | 1205  |
| Depth (mm):        | 400   |
| Gross Weight (kg): | 18.12 |

**Packaging Data**

|               |                               |
|---------------|-------------------------------|
| Box Colour:   | Brown Cardboard Box - Printed |
| Box Qty:      | 1                             |
| Label Size:   | 100 x 50                      |
| Label Colour: | White Label                   |
| Label Qty:    | 2                             |

**Outer Box Dimensions (If Applicable)**

|                    |               |
|--------------------|---------------|
| Height (mm):       |               |
| Width (mm):        |               |
| Depth (mm):        |               |
| Gross Weight (kg): |               |
| Barcode:           | 5056211815136 |

**Product Details**

|                      |                               |
|----------------------|-------------------------------|
| Country of Origin:   | China                         |
| Fitting Instruction: | No                            |
| Certification:       | CE: No WRAS: N/A WRAS No: N/A |
| Product Material:    | Polymarble                    |
| Fixing Supplied:     | No                            |

**Pans/Bidets:** Trap Style: Not Applicable Includes Seat: Not Applicable

**Seats:** Seat Type: Not Applicable Material: Not Applicable  
 Function: Not Applicable Hinge Type: Not Applicable  
 Hinge Material: Not Applicable

**Cisterns:** Operating Type: Not Applicable Fittings: Not Applicable  
 Lever Type: Not Applicable

**Basins:** Tap Hole: Two Tapholes Chain Stay Hole: No  
 Template: Not Required Waste Type Req: Slotted  
 Overflow Inc: Yes Overflow Cover: Yes  
 Inner Bowl Depth (mm):