

SCORIA IGNEOUS/GRANITE INSET SINK SCO1052AS/

RANGEmaster
sinks & taps



Size: 1000 x 500 mm

Sleek, sophisticated styling with a tough, resistant composition; the Scoria kitchen sink collection offers crisp, minimalist lines making this a popular choice for a modern kitchen.

- Igneous granite
- Reversible drainer
- Waste kit included
- 25 year warranty

Material	Igneous/Granite
Material Gauge	-
Material Finish Bowl	-
Material Finish Drainer	-
Drainer Position	Reversible
Overall Length (mm)	1000
Overall Width (mm)	500
Main Bowl Length (mm)	345
Main Bowl Width (mm)	440
Main Bowl Depth (mm)	200
Second Bowl Length (mm)	155
Second Bowl Width (mm)	295
Second Bowl Depth (mm)	146
Tap hole Size (mm)	-
Waste Size (mm)	2 x 90
Waste Kit:	Included with sink (2 x 90mm BSW & overflow kit)
Min. Base Unit (mm)	600
Cutout Size Length (mm)	980
Cutout Size Width (mm)	480
Warranty Sinks (years)	0
Product Code	SCO1052AS/
Barcode	5015834049199

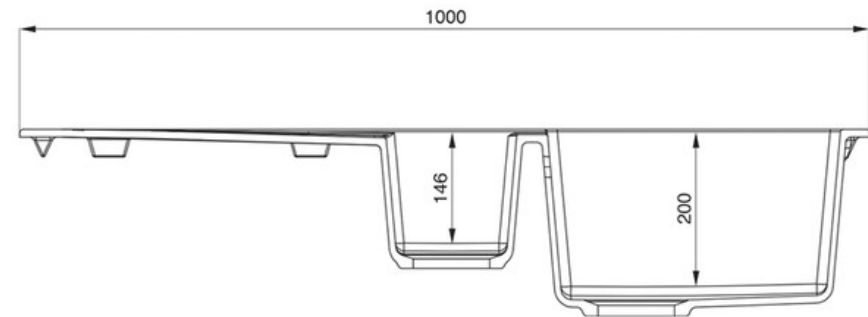
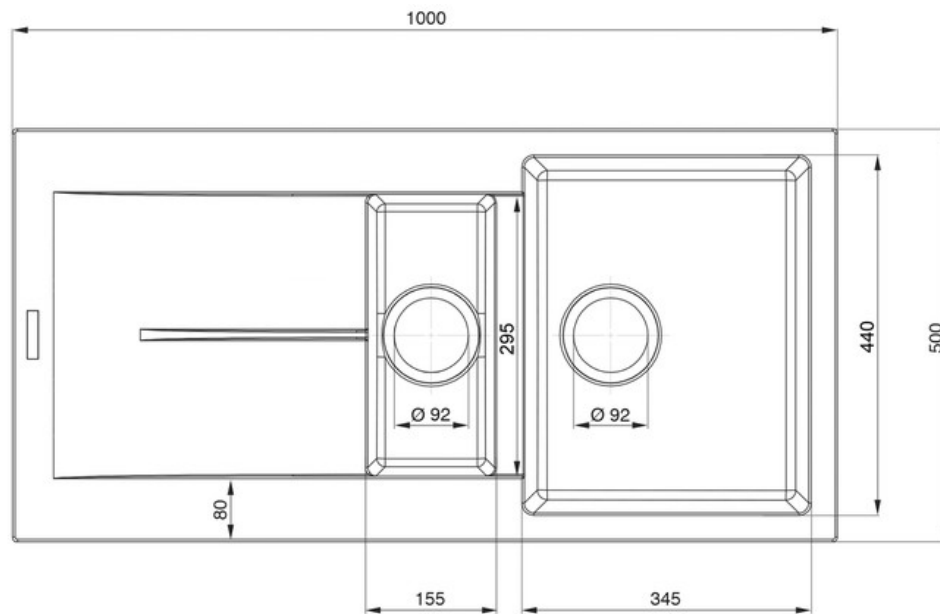
Date of download: April 30, 2021

AGA Rangemaster continuously seeks improvements in specification, design and production of products and thus, alterations take place periodically. Whilst every effort is made to produce up to date resources, the information included here is intended as a guide. Always refer to the installation instructions when fitting, installation work should be completed by a professional tradesman.

SCORIA IGNEOUS/GRANITE INSET SINK

SCO1052AS/

Technical Drawing



Date of download: April 30, 2021

AGA Rangemaster continuously seeks improvements in specification, design and production of products and thus, alterations take place periodically. Whilst every effort is made to produce up to date resources, the information included here is intended as a guide. Always refer to the installation instructions when fitting, installation work should be completed by a professional tradesman.

SCORIA IGNEOUS/GRANITE INSET SINK

SCO1052AS/