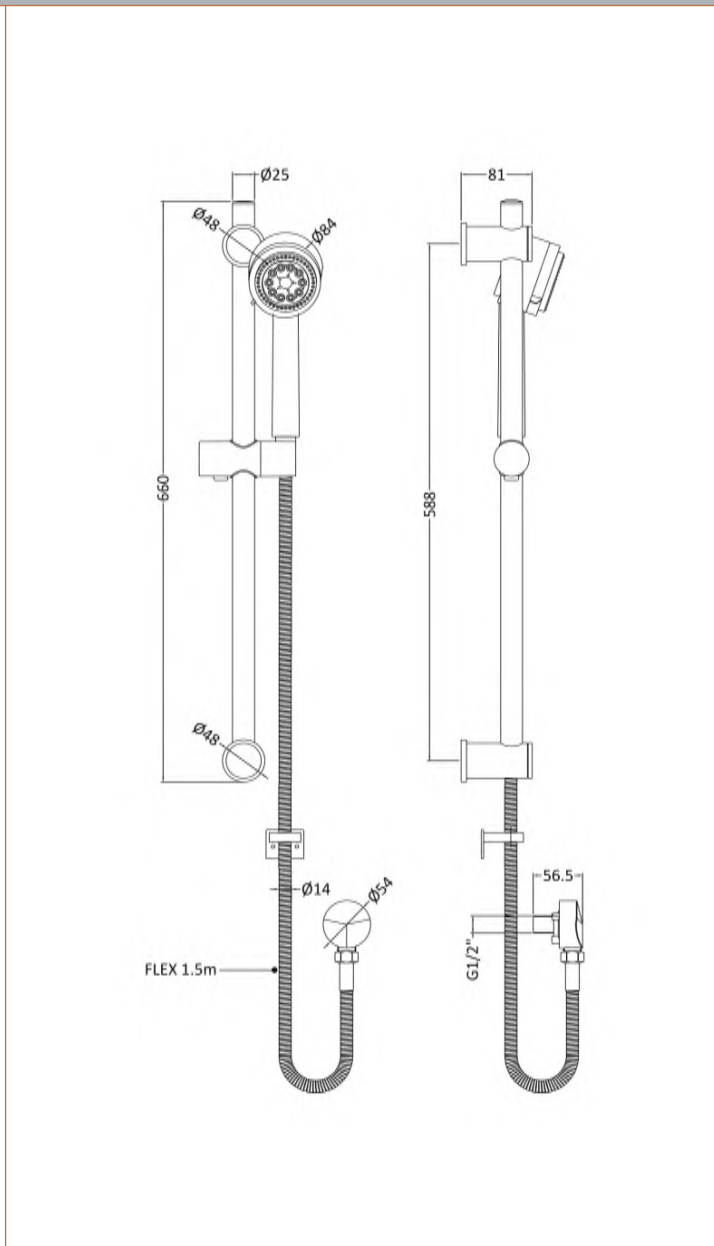


Sales Code: A3040

Description: Slider Rail Kit W/ Brackets W/Handset



Product Dimensions	
Length (mm):	660
Width (mm):	25
Height (mm):	660
Depth (mm):	81
Nett Weight (kg):	1.35
Packaging Dimensions	
Length (mm):	725
Width (mm):	154
Height (mm):	154
Gross Weight (kg):	1.35
Packaging Data	
Box Colour:	White Cardboard Box
Box Qty:	1
Label Size:	100 x 50
Label Colour:	White Label
Label Qty:	2
Outer Box Dimensions (If Applicable)	
Length (mm):	330
Width (mm):	500
Height (mm):	500
Depth (mm):	750
Gross Weight (kg):	14
Barcode:	5055146184904
Product Details	
Country of Origin:	China
Fitting Instruction:	Yes
Product Material:	Brass/ABS
Mount Type:	Wall, Surface
Outlet Elbow Supplied:	Yes
Easy Clean:	Yes
Head Included:	No
Handset Included:	Yes
Body Jets Included:	No
No of Body Jets:	Not Applicable
Operating Pressure (bar):	0.5
Valve/Cartridge Type:	Not Applicable
Flow Rates (L/min):	0.1 bar: N/A 0.5 bar: N/A 1 bar: N/A 2 bar: N/A 3 bar: N/A
TMV2 Approved:	No Approval No: N/A
TMV3 Approved:	No Approval No: N/A
WRAS Approved:	No Approval No: N/A
Head Function:	Not Applicable
Handset Function:	Multiple Settings
Body Jet Info:	Not Applicable
Pipe Size:	15 mm (1/2" Bsp)
Pipe Centres:	N/A
Colour/Finish:	Chrome
Hose Included:	Yes
No. of Outlets:	1