

## PARAGON IGNEOUS/GRANITE UNDERMOUNT SINK PAR4553AS/

**RANGEmaster**  
sinks & taps



Size: 533 x 457 mm

Go under-mounted for a sleek, seamless worksurface. Boasting a modern, geometric design, the Paragon kitchen sink is the perfect match for composite worksurfaces.

- Igneous granite
- Reversible drainer
- Waste kit included
- 25 year warranty

Material	Igneous/Granite
Material Gauge	-
Material Finish Bowl	-
Material Finish Drainer	-
Drainer Position	-
Overall Length (mm)	533
Overall Width (mm)	457
Main Bowl Length (mm)	469
Main Bowl Width (mm)	393
Main Bowl Depth (mm)	209
Second Bowl Length (mm)	-
Second Bowl Width (mm)	-
Second Bowl Depth (mm)	-
Tap hole Size (mm)	-
Waste Size (mm)	1 x 90
Waste Kit:	Included with sink (1 x 90mm BSW & overflow kit)
Min. Base Unit (mm)	600
Cutout Size Length (mm)	488
Cutout Size Width (mm)	410
Warranty Sinks (years)	20
Product Code	PAR4553AS/
Barcode	5015834049878

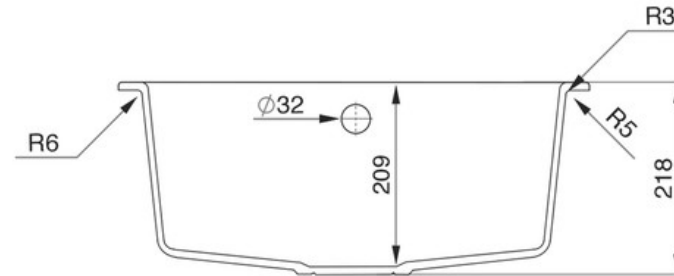
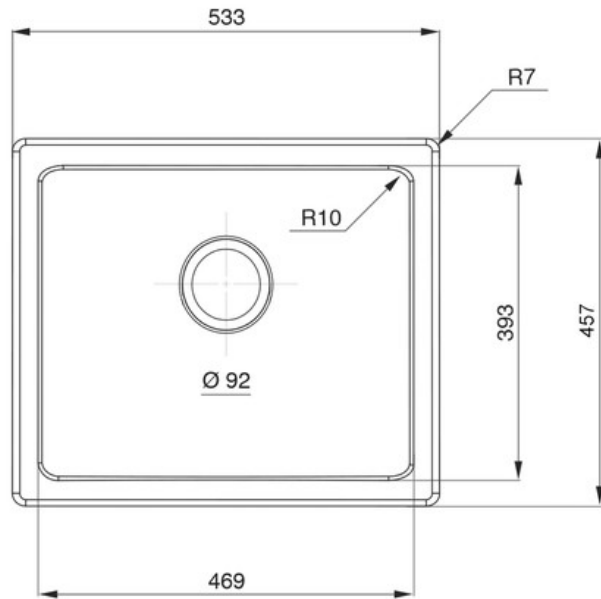
Date of download: May 19, 2021

AGA Rangemaster continuously seeks improvements in specification, design and production of products and thus, alterations take place periodically. Whilst every effort is made to produce up to date resources, the information included here is intended as a guide. Always refer to the installation instructions when fitting, installation work should be completed by a professional tradesman.

# PARAGON IGNEOUS/GRANITE UNDERMOUNT SINK

PAR4553AS/

Technical Drawing



Date of download: May 19, 2021

AGA Rangemaster continuously seeks improvements in specification, design and production of products and thus, alterations take place periodically. Whilst every effort is made to produce up to date resources, the information included here is intended as a guide. Always refer to the installation instructions when fitting, installation work should be completed by a professional tradesman.

PARAGON IGNEOUS/GRANITE UNDERMOUNT SINK  
PAR4553AS/