

MICA IGNEOUS/GRANITE INSET SINK MIC860AS/

RANGEmaster
sinks & taps



Size: 860 x 500 mm

Featuring a unique bowl design and a drainer with defined straight lines, Mica blends contemporary style with practical design effortlessly. Made from Igneous granite, the Mica range is composed of 3 options; single bowl in standard and compact sizes and a 1.5 bowl option.

- Compact size
- Igneous granite
- Reversible drainer
- Waste kit included
- 25 year warranty

Material	Igneous/Granite
Material Gauge	-
Material Finish Bowl	-
Material Finish Drainer	-
Drainer Position	Reversible
Overall Length (mm)	860
Overall Width (mm)	500
Main Bowl Length (mm)	415
Main Bowl Width (mm)	446
Main Bowl Depth (mm)	195
Second Bowl Length (mm)	-
Second Bowl Width (mm)	-
Second Bowl Depth (mm)	-
Tap hole Size (mm)	-
Waste Size (mm)	1 x 89
Waste Kit:	Included with sink (1 x 89mm BSW & overflow kit)
Min. Base Unit (mm)	500
Cutout Size Length (mm)	840
Cutout Size Width (mm)	480
Warranty Sinks (years)	25
Product Code	MIC860AS/
Barcode	5015834050621

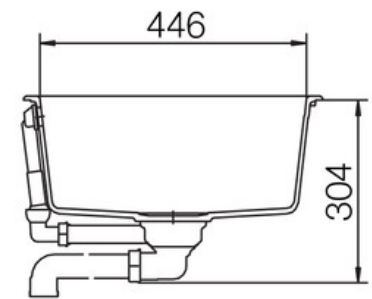
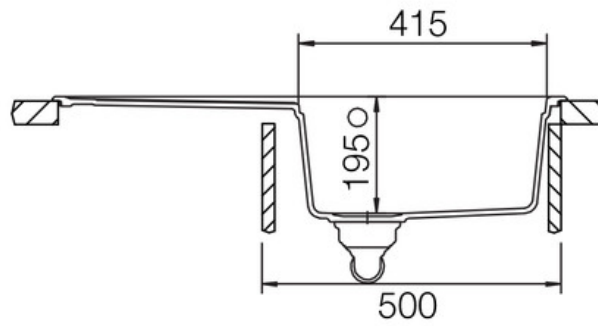
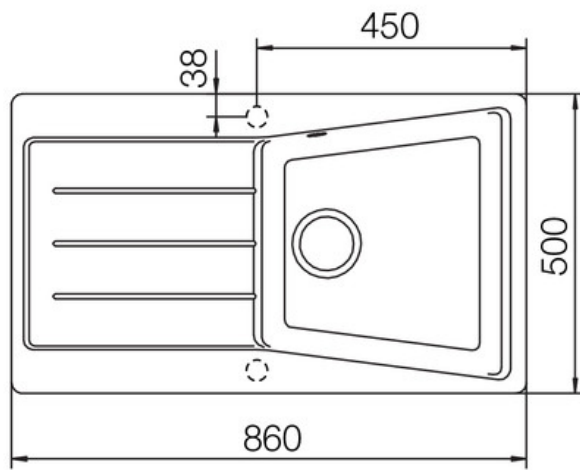
Date of download: May 28, 2021

AGA Rangemaster continuously seeks improvements in specification, design and production of products and thus, alterations take place periodically. Whilst every effort is made to produce up to date resources, the information included here is intended as a guide. Always refer to the installation instructions when fitting, installation work should be completed by a professional tradesman.

MICA IGNEOUS/GRANITE INSET SINK

MIC860AS/

Technical Drawing



AGA Rangemaster continuously seeks improvements in specification, design and production of products and thus, alterations take place periodically. Whilst every effort is made to produce up to date resources, the information included here is intended as a guide. Always refer to the installation instructions when fitting, installation work should be completed by a professional tradesman.

MICA IGNEOUS/GRANITE INSET SINK

MIC860AS/