

ANDESITE IGNEOUS/GRANITE INSET SINK AND1052AS/

RANGEmaster
sinks & taps



Size: 1000 x 500 mm

Encompassing a simple yet sleek drainer pattern design and featuring large geometric bowls with low radius corners, the Andesite kitchen sink offers a stunning design for a trend conscious home.

- Igneous granite
- Reversible drainer
- Waste kit included
- 25 year warranty

Material	Igneous/Granite
Material Gauge	-
Material Finish Bowl	-
Material Finish Drainer	-
Drainer Position	Reversible
Overall Length (mm)	1000
Overall Width (mm)	500
Main Bowl Length (mm)	345
Main Bowl Width (mm)	430
Main Bowl Depth (mm)	200
Second Bowl Length (mm)	155
Second Bowl Width (mm)	340
Second Bowl Depth (mm)	146
Tap hole Size (mm)	-
Waste Size (mm)	2 x 90
Waste Kit:	Included with sink (2 x 90mm BSW & overflow kit)
Min. Base Unit (mm)	600
Cutout Size Length (mm)	980
Cutout Size Width (mm)	480
Warranty Sinks (years)	0
Product Code	AND1052AS/
Barcode	5015834049137

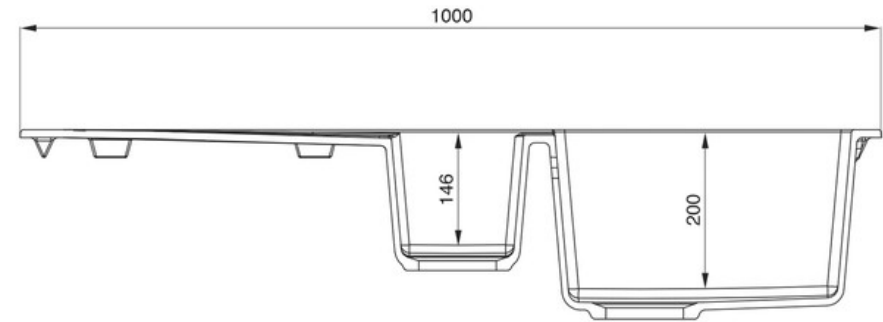
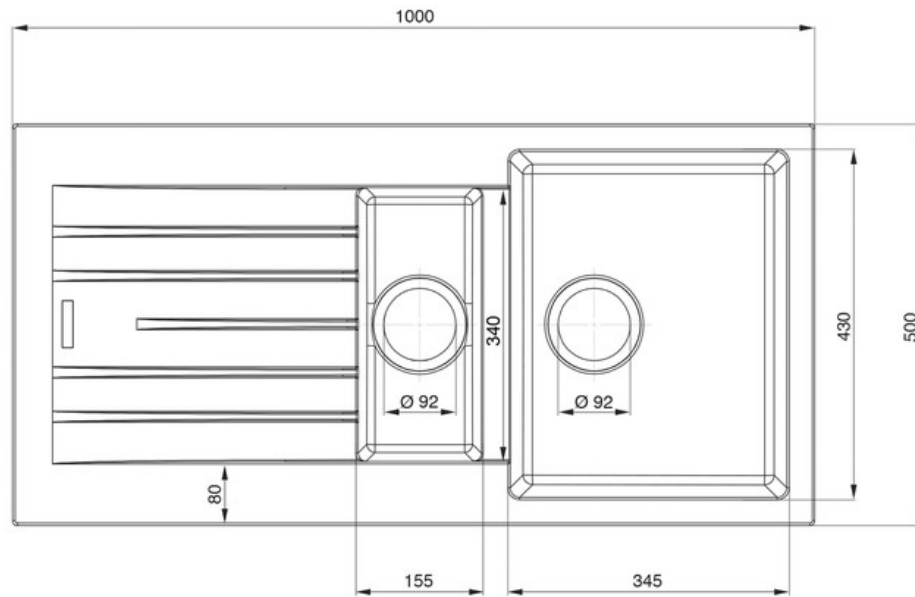
Date of download: May 03, 2021

AGA Rangemaster continuously seeks improvements in specification, design and production of products and thus, alterations take place periodically. Whilst every effort is made to produce up to date resources, the information included here is intended as a guide. Always refer to the installation instructions when fitting, installation work should be completed by a professional tradesman.

ANDESITE IGNEOUS/GRANITE INSET SINK

AND1052AS/

Technical Drawing



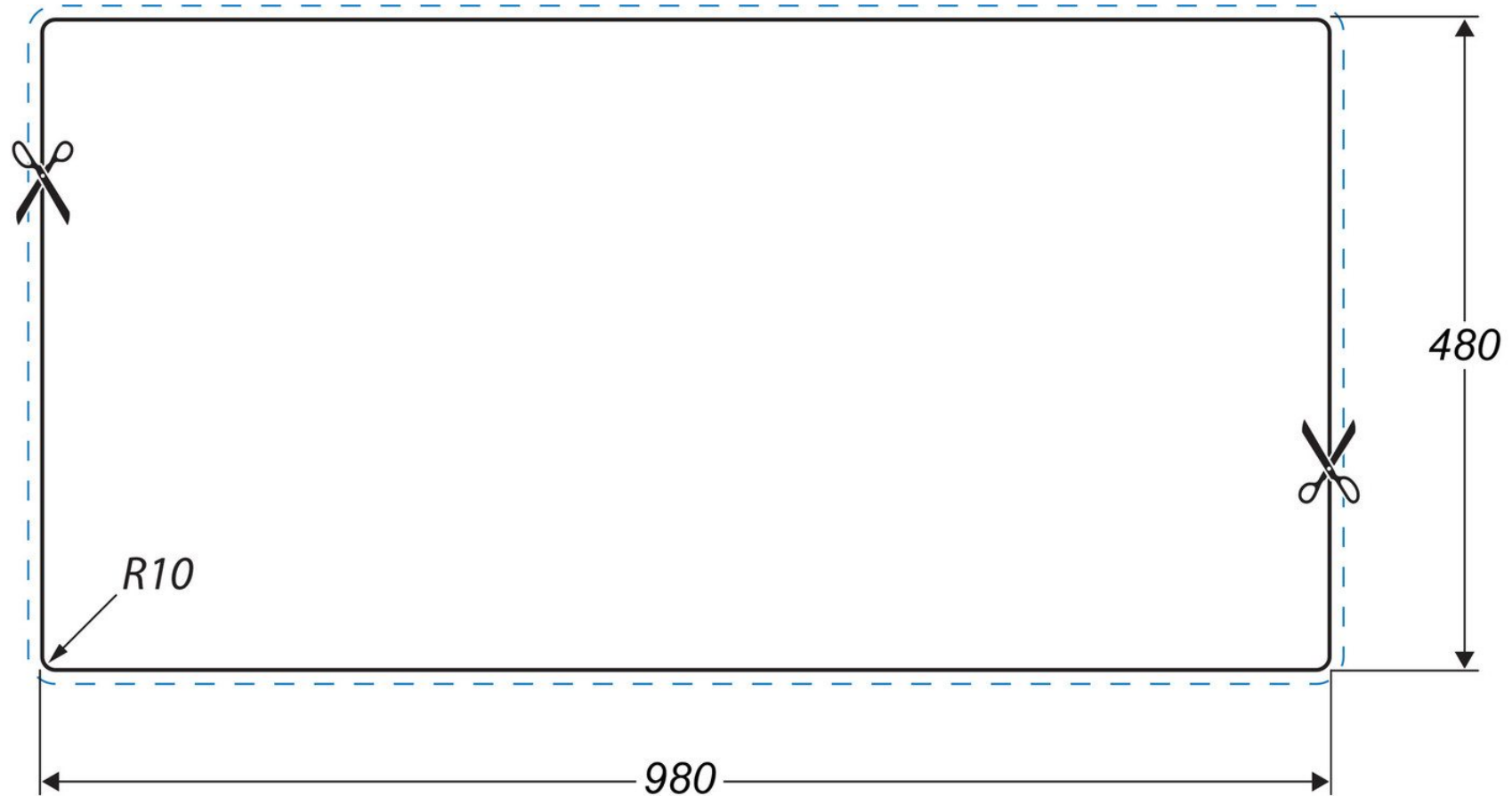
Date of download: May 03, 2021

AGA Rangemaster continuously seeks improvements in specification, design and production of products and thus, alterations take place periodically. Whilst every effort is made to produce up to date resources, the information included here is intended as a guide. Always refer to the installation instructions when fitting, installation work should be completed by a professional tradesman.

ANDESITE IGNEOUS/GRANITE INSET SINK

AND1052AS/

Cut Out Template
Dimensions in mm. Not to scale.



Date of download: May 03, 2021

AGA Rangemaster continuously seeks improvements in specification, design and production of products and thus, alterations take place periodically. Whilst every effort is made to produce up to date resources, the information included here is intended as a guide. Always refer to the installation instructions when fitting, installation work should be completed by a professional tradesman.