

PARAGON IGNEOUS/GRANITE UNDERMOUNT SINK PAR3115AS/

RANGEmaster
sinks & taps



Size: 550 x 430 mm

Go under-mounted for a sleek, seamless worksurface. Boasting a modern, geometric design, the Paragon kitchen sink is the perfect match for composite worksurfaces.

- Igneous granite
- Reversible drainer
- Waste kit included
- 25 year warranty

Material	Igneous/Granite
Material Gauge	-
Material Finish Bowl	-
Material Finish Drainer	-
Drainer Position	Right_hand
Overall Length (mm)	550
Overall Width (mm)	430
Main Bowl Length (mm)	310
Main Bowl Width (mm)	370
Main Bowl Depth (mm)	200
Second Bowl Length (mm)	152
Second Bowl Width (mm)	370
Second Bowl Depth (mm)	130
Tap hole Size (mm)	-
Waste Size (mm)	2 x 90
Waste Kit:	Included with sink (2 x 90mm BSW & overflow kit)
Min. Base Unit (mm)	600
Cutout Size Length (mm)	490
Cutout Size Width (mm)	370
Warranty Sinks (years)	20
Product Code	PAR3115AS/
Barcode	5015834047201

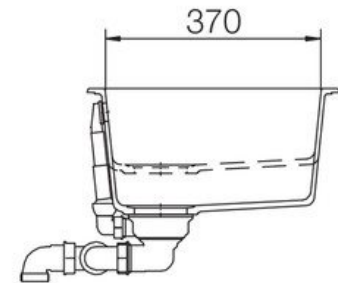
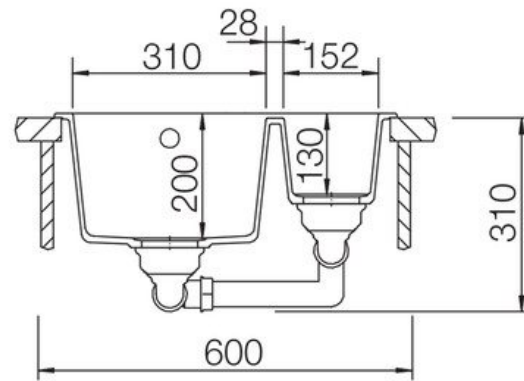
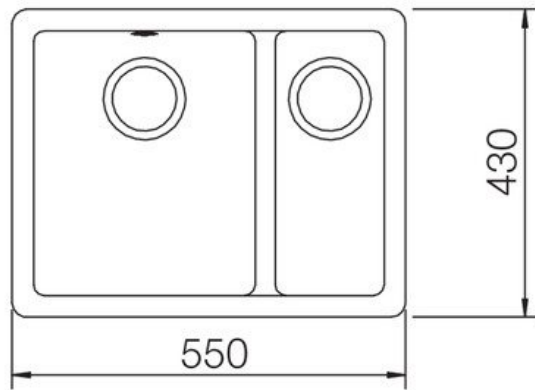
Date of download: May 04, 2021

AGA Rangemaster continuously seeks improvements in specification, design and production of products and thus, alterations take place periodically. Whilst every effort is made to produce up to date resources, the information included here is intended as a guide. Always refer to the installation instructions when fitting, installation work should be completed by a professional tradesman.

PARAGON IGNEOUS/GRANITE UNDERMOUNT SINK

PAR3115AS/

Technical Drawing



Date of download: May 04, 2021

AGA Rangemaster continuously seeks improvements in specification, design and production of products and thus, alterations take place periodically. Whilst every effort is made to produce up to date resources, the information included here is intended as a guide. Always refer to the installation instructions when fitting, installation work should be completed by a professional tradesman.

PARAGON IGNEOUS/GRANITE UNDERMOUNT SINK

PAR3115AS/

