

# Technical Data Sheet

# ROPER RHODES®

Wessex 3 Tap Hole Basin Mixer - T667902

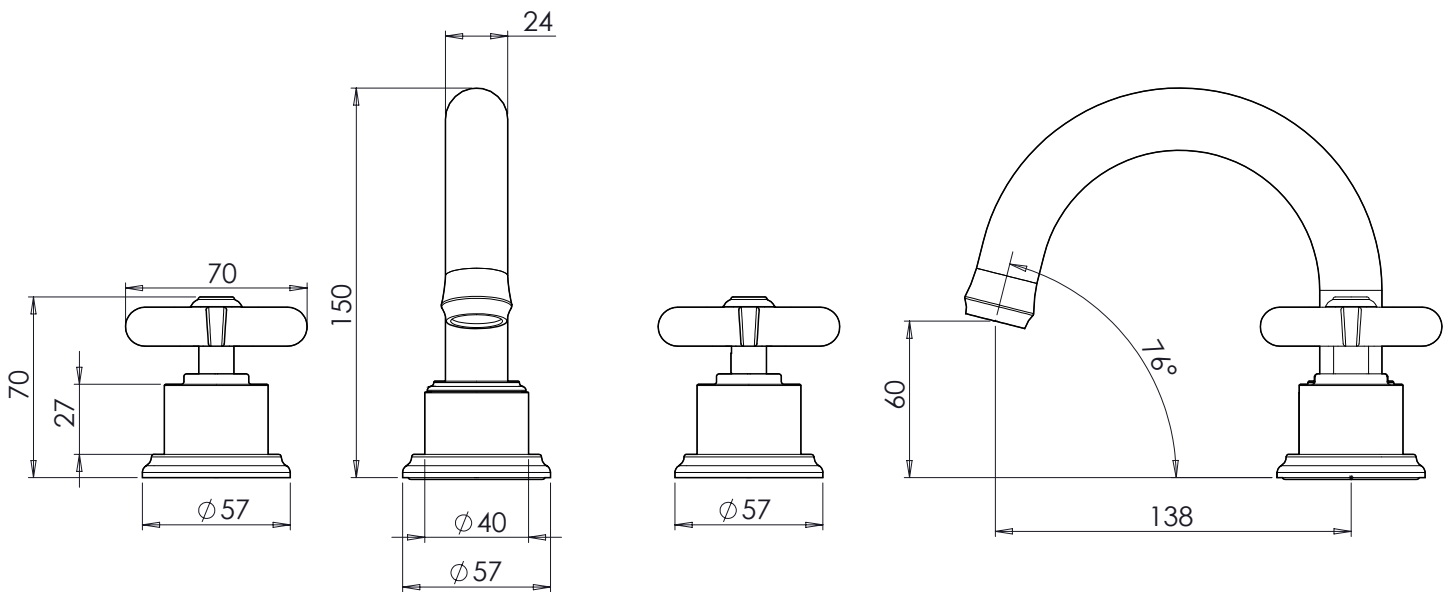
No.	Description	Code	Fixings Included
1	Wessex 3 Tap Hole Basin Mixer	T667902	YES



Min Pressure:	0.1bar
0.1bar	7 litres / min
0.2bar	10.5 litres / min
0.3bar	12 litres / min
0.4bar	15 litres / min
0.5bar	17 litres / min
1bar	24 litres / min
2bar	34 litres / min

## Dimensions:

Diagrams not to scale. All dimensions in mm (tolerance of +/-5mm)



\*Dimensions are subject to change, customers are advised to measure actual product before commencing installation.

## FAQs

**What is the size of the threaded valve connections?** All of the valve inlets and outlets are 1/2" BSP

**Does the tap come fitted with an aerator?** Yes, the aerator comes pre-installed but can be replaced.

**Does the spout swivel?** Yes, the spout should be installed so the spout can rotate equal distances in either direction.