

Technical Data Sheet

ROPER RHODES®

Craft Mini Mixer With Click Waste - T336102

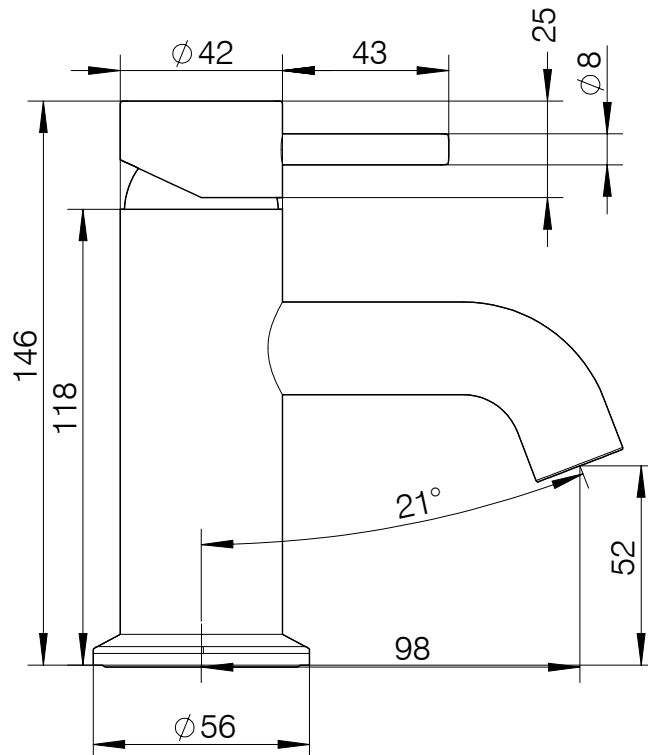
| No. | Description | Code | Fixings Included |
|-----|-----------------------------------|---------|------------------|
| 1 | Craft Mini Mixer With Click Waste | T336102 | YES |



| | |
|---------------|-------------------|
| Min Pressure: | 0.2bar |
| 0.2bar | 4.7 litres / min |
| 0.3bar | 6 litres / min |
| 0.4bar | 7 litres / min |
| 0.5bar | 8 litres / min |
| 1bar | 11.3 litres / min |
| 2bar | 16 litres / min |

Dimensions:

Diagrams not to scale. All dimensions in mm (tolerance of +/-5mm)



*Dimensions are subject to change, customers are advised to measure actual product before commencing installation.

FAQs

What is the size of the tap tail connection? The tap tails have a standard 1/2" BSP fixing.

What bore is the tap tail? The tails have a 10mm internal bore.

What length are the tap tails? The tails are 300mm in length.

Does the tap come fitted with an aerator? Yes, the aerator comes pre-installed but can be replaced.

Technical Data Sheet

ROPER RHODES®

Craft Slim Basin Mixer With Click Waste - T337502

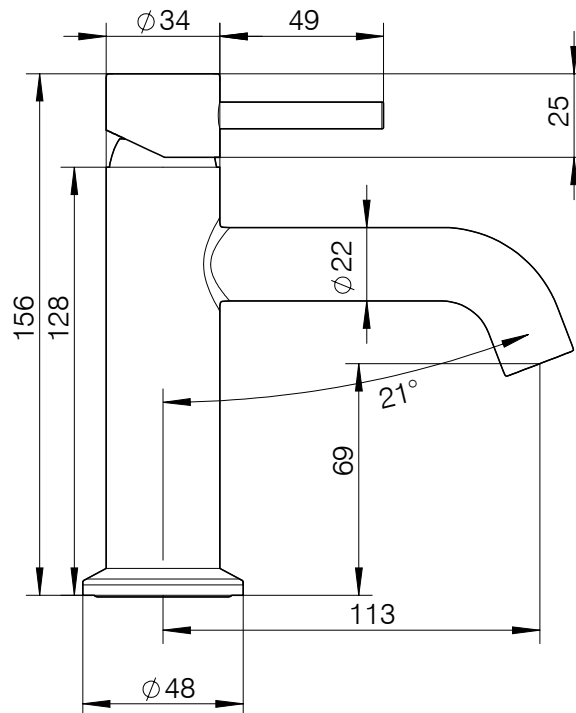
| No. | Description | Code | Fixings Included |
|-----|---|---------|------------------|
| 1 | Craft Slim Basin Mixer With Click Waste | T337502 | YES |



| | |
|---------------|-------------------|
| Min Pressure: | 0.2bar |
| 0.2bar | 3.5 litres / min |
| 0.3bar | 4.5 litres / min |
| 0.4bar | 5.5 litres / min |
| 0.5bar | 6 litres / min |
| 1bar | 8.6 litres / min |
| 2bar | 12.5 litres / min |

Dimensions:

Diagrams not to scale. All dimensions in mm (tolerance of +/-5mm)



*Dimensions are subject to change, customers are advised to measure actual product before commencing installation.

FAQs

What is the size of the tap tail connection? The tap tails have a standard 1/2" BSP fixing.

What bore is the tap tail? The tails have a 10mm internal bore.

What length are the tap tails? The tails are 300mm in length.

Does the tap come fitted with an aerator? Yes, the aerator comes pre-installed but can be replaced.

Technical Data Sheet

ROPER RHODES®

Craft Basin Mixer With Click Waste - T331102

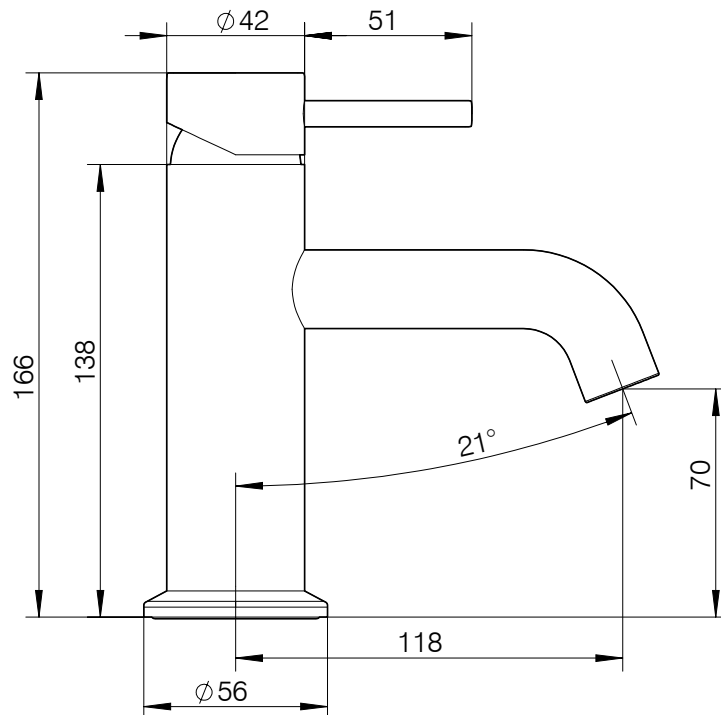
| No. | Description | Code | Fixings Included |
|-----|------------------------------------|---------|------------------|
| 1 | Craft Basin Mixer With Click Waste | T331102 | YES |



| | |
|---------------|-------------------|
| Min Pressure: | 0.2bar |
| 0.2bar | 4.7 litres / min |
| 0.3bar | 6 litres / min |
| 0.4bar | 7 litres / min |
| 0.5bar | 8 litres / min |
| 1bar | 11.3 litres / min |
| 2bar | 16 litres / min |

Dimensions:

Diagrams not to scale. All dimensions in mm (tolerance of +/-5mm)



*Dimensions are subject to change, customers are advised to measure actual product before commencing installation.

FAQs

What is the size of the tap tail connection? The tap tails have a standard 1/2" BSP fixing.

What bore is the tap tail? The tails have a 10mm internal bore.

What length are the tap tails? The tails are 300mm in length.

Does the tap come fitted with an aerator? Yes, the aerator comes pre-installed but can be replaced.