

Optix 10 Hinged Double Bath Screen

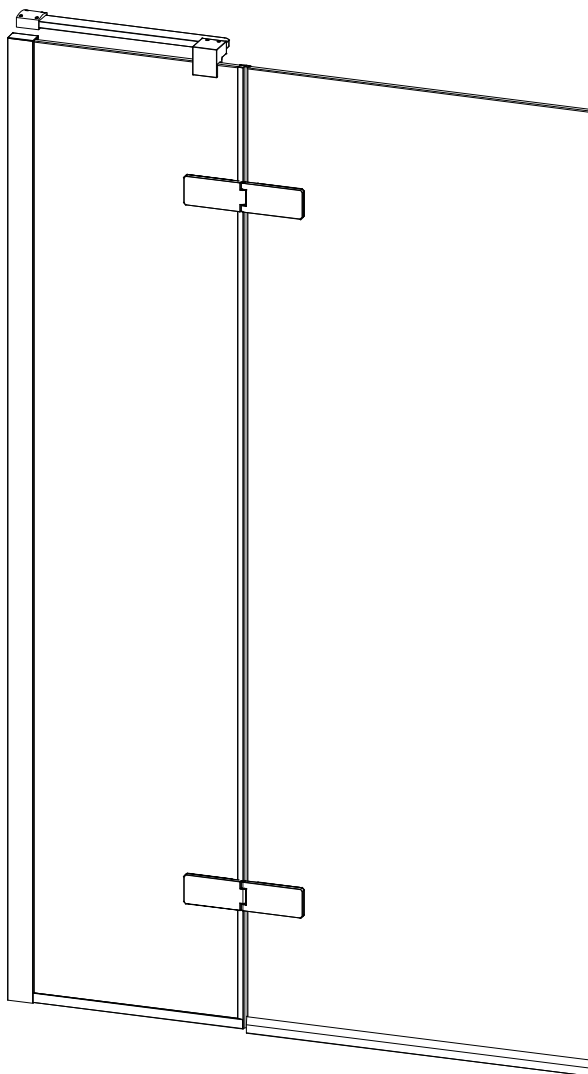
Manufactured to: BS EN 14428

IMPORTANT

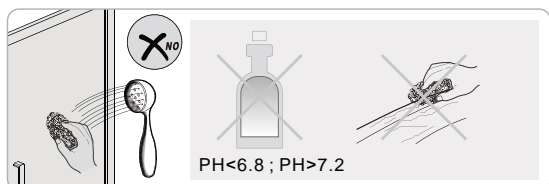
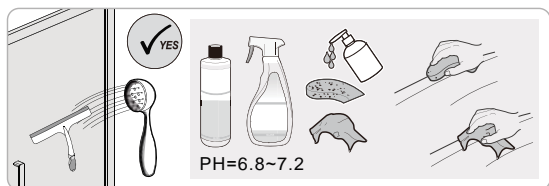
BEFORE STARTING THE INSTALLATION ENSURE ALL THE DOOR SIZE MEASUREMENTS CORRESPOND WITH THE INSTALLATION AREA INCLUDING THE FINISHED TILED/PANELLED WALLS. RETURNS DUE TO INCORRECT SIZING WILL NOT BE ACCEPTED.



OXBDSC0900 39Kgs
OXBDFC0900 39Kgs
OXBDVC0900 39Kgs



Optix 10 Hinged Double Bath Screen



INSTALLATION INSTRUCTIONS

crosswater[®]
SHOWERING

IMPORTANT - Please read before installation

Please read these instructions carefully before starting installation and keep in a safe place for future reference.

Check the contents of the pack carefully before installation. Crosswater will not be held responsible for any de-fit / re-fit costs where faulty product has been fitted.

If any fault is found with materials or workmanship, it must be reported immediately to the manufacturer. Remedial action will be taken, based on information received, on condition that:

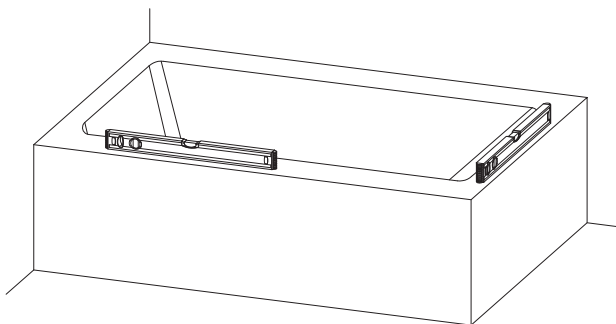
1. Full details are supplied to the manufacturer;
2. The bath screen has not been modified or tampered with;
3. The manufacturer is informed of any damage/shortages prior to installation.

We do not accept responsibility for any problems that may occur through incorrect installation.

The success of the installation and operation of any bath screen is, of course, dependant on the squareness, alignment and construction of the walls to which fixing is to be carried out.

VERY IMPORTANT

You must complete all tiling and grouting, and the bath tub **MUST** be level and fully sealed to the tiles before installation. If you do not fit the bath screen onto a tiled surface, or seal the tiles to the bath before installation, water may soak into the wall behind the wall profiles.



INSTALLATION - Advise and safety

The installation instructions are based on typical use and conditions.

All doors are designed to open outwards only.

These hints have been prepared for your guidance, you must exercise due care at all times.

For Health and Safety 2 people must carry out the installation of this bath screen.

Handle glass with care. Although the glass supplied is toughened safety glass (EN12150), impacts can damage both the glass and the frame.

Warning!

Please check for any hidden pipes or cables before drilling holes in the wall.

When using power tools always follow the manufacturers user instructions.

If the Framework is sealed to the bath on the inside, any water that may get into the framework will not be able to drain back into the tray, this may cause the bath screen to leak.

Leave the silicone sealant to dry for 24 hours before using the bath screen.

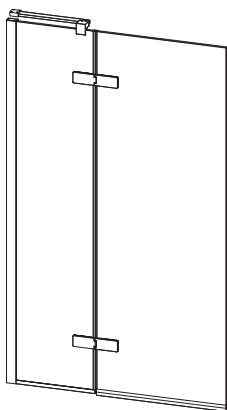
CARE AND CLEANING

Do not use solvents or abrasive material or chemicals to clean the bath screen.

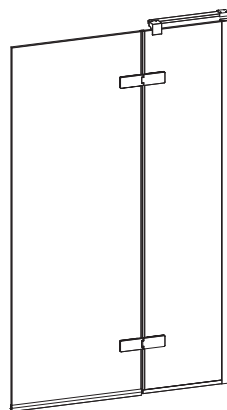
Only clean using soapy water and soft cloth, rinse thoroughly afterwards.

INSTALLATION - Left and Right hand

This product is reversible for left or right hand opening. Please follow the diagram, and detail below for your choice of installation.

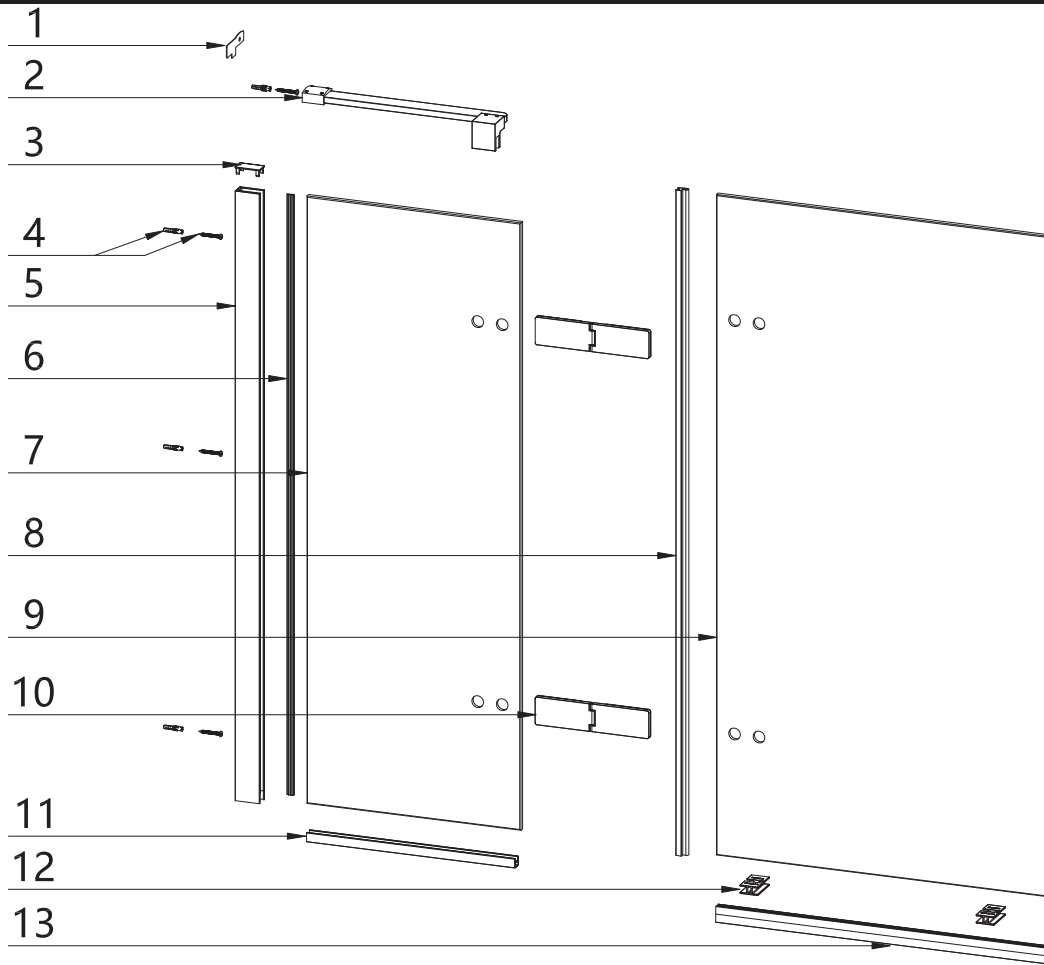


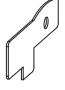
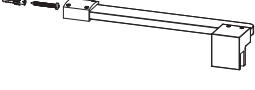
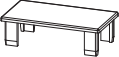
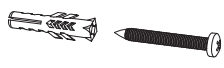
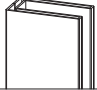

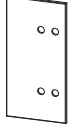


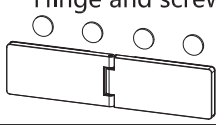





LH



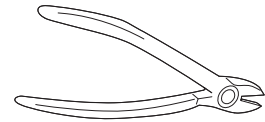
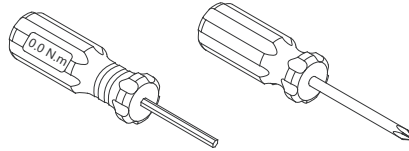
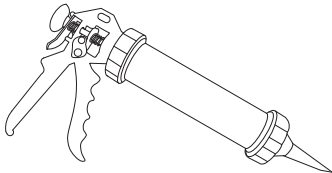
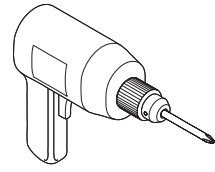
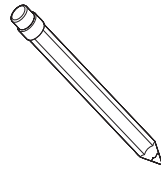
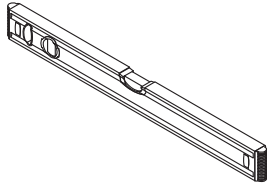
RH

Optix 10 Hinged Double Bath Screen 900

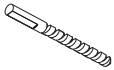


1	Bracing bar template  x1	2	Bracing bar  x1	3	Wall profile cover cap  x1
4	Wall plug and 4x35mm screw  x3	5	Wall profile  x1	6	Wall profile seal  x1
7	Fixed glass  x1	8	Vertical seal  x1	9	Moving panel  x1
10	Hinge and screw cover caps  x2	11	Bottom profile  x1	12	Spacer  x2
13	Bottom seal  x1	14	Allen key 4mm 2.5mm  1+1	15	Wedge gasket tool  x1

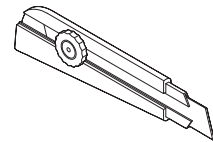
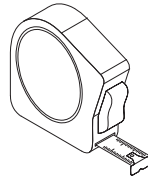
Installation tool



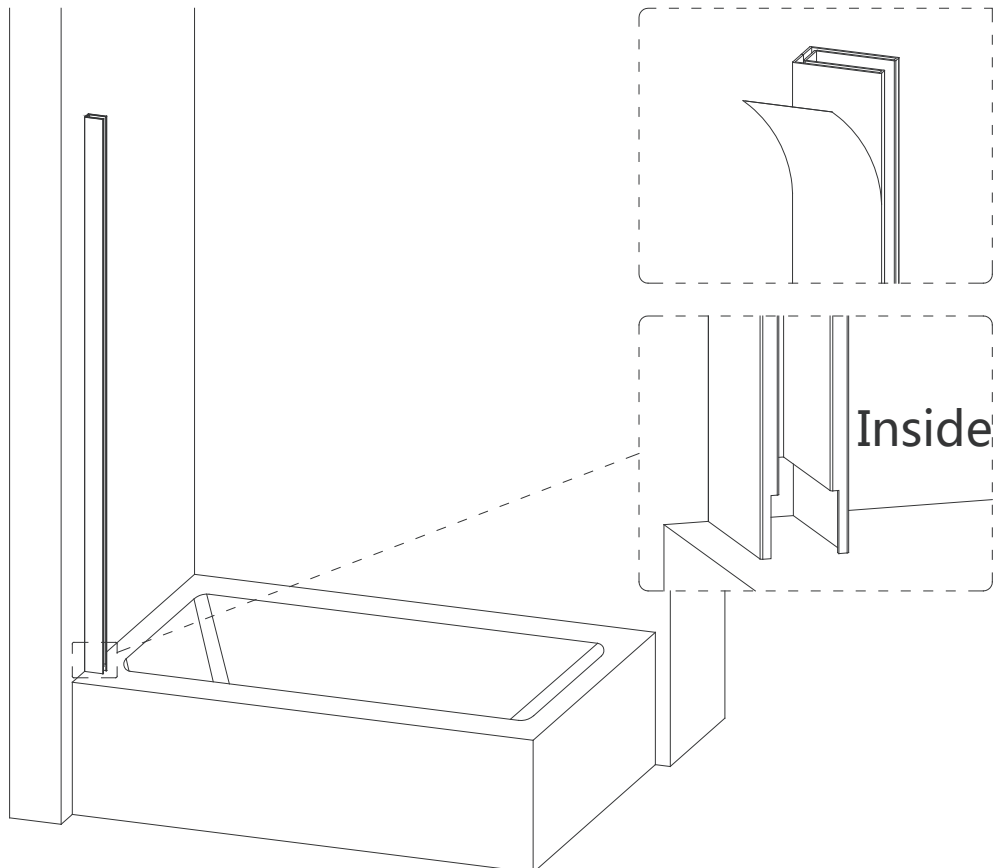
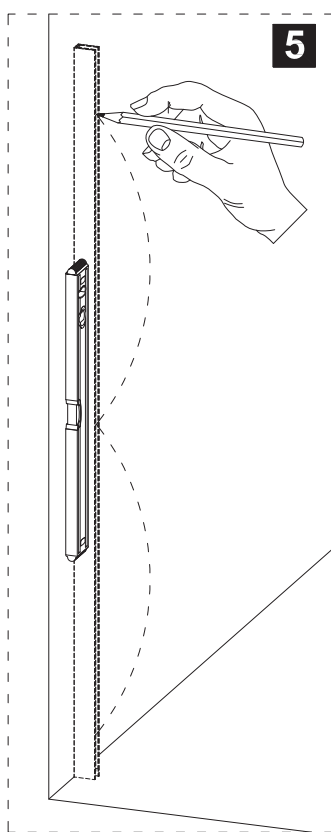
Torque screwdriver



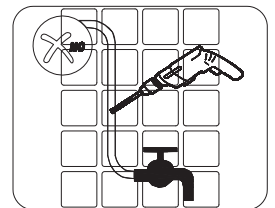
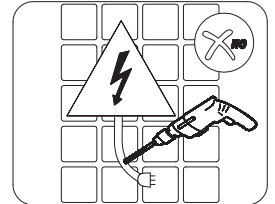
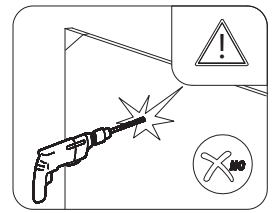
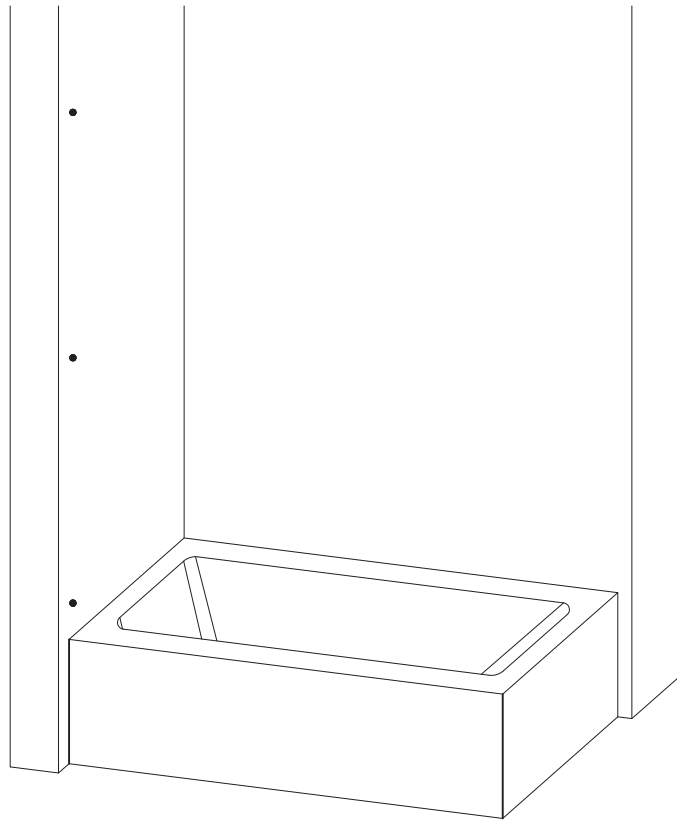
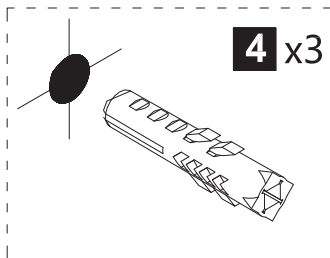
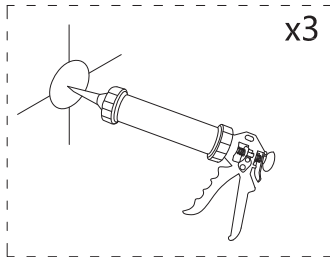
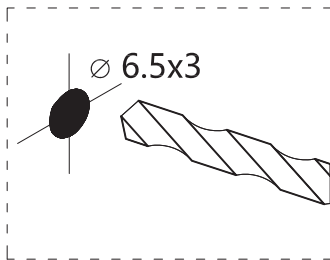
∅ 6.5



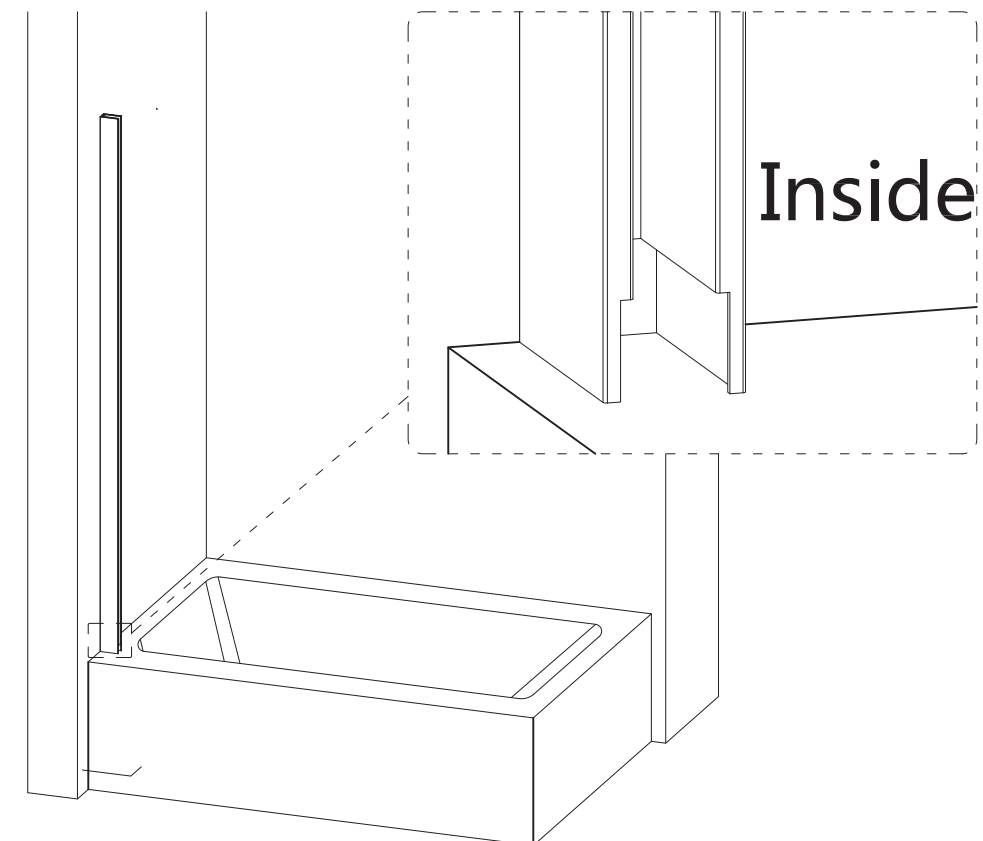
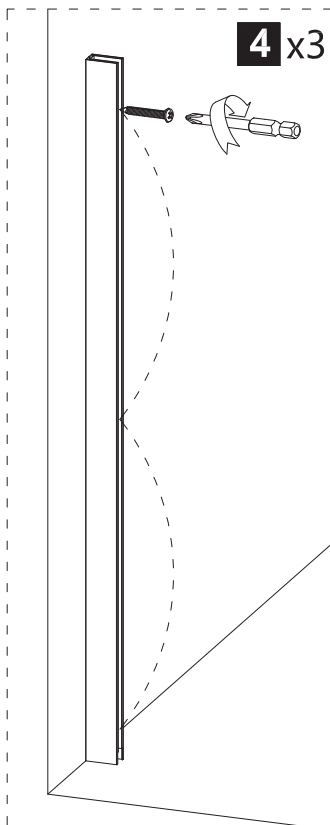
Step 1



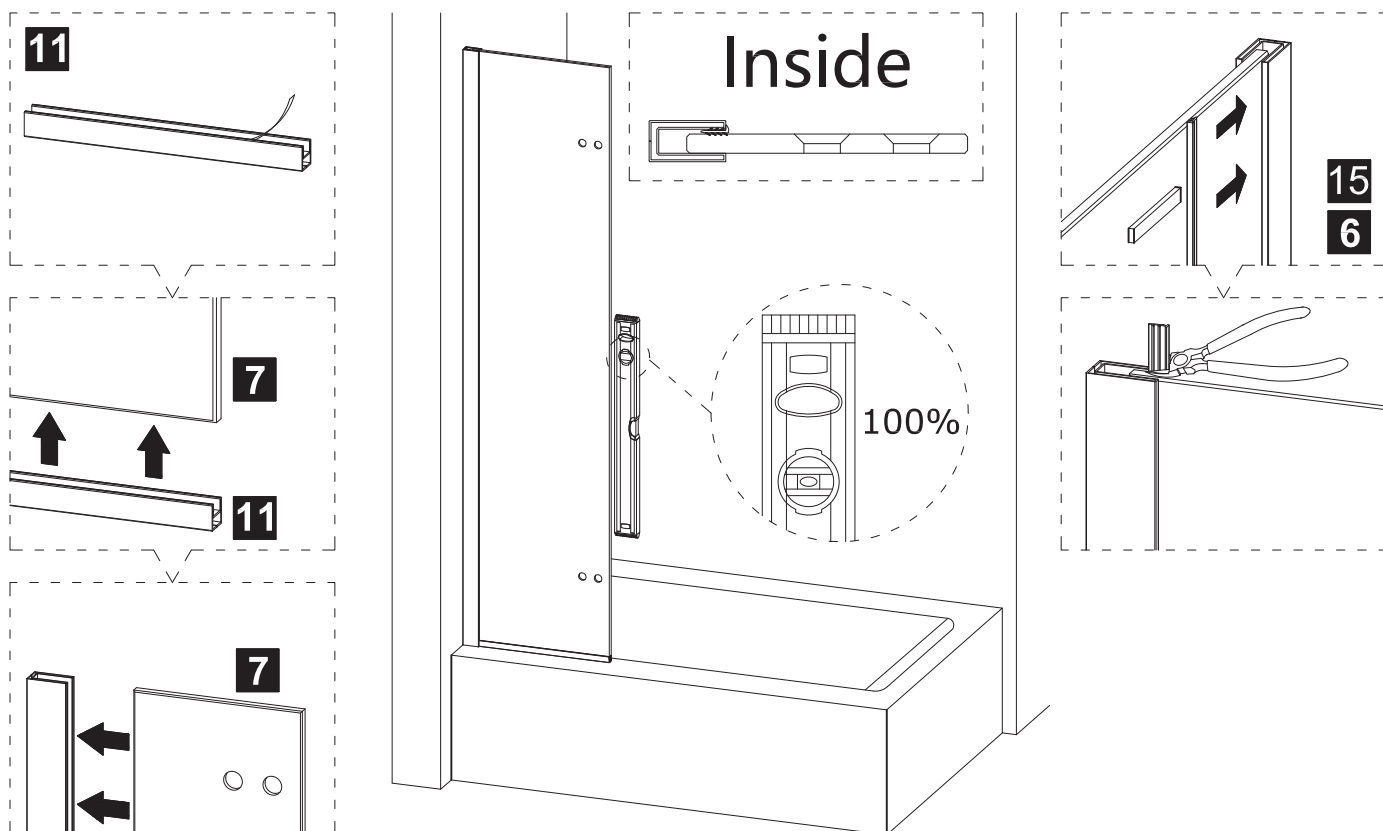
Step 2



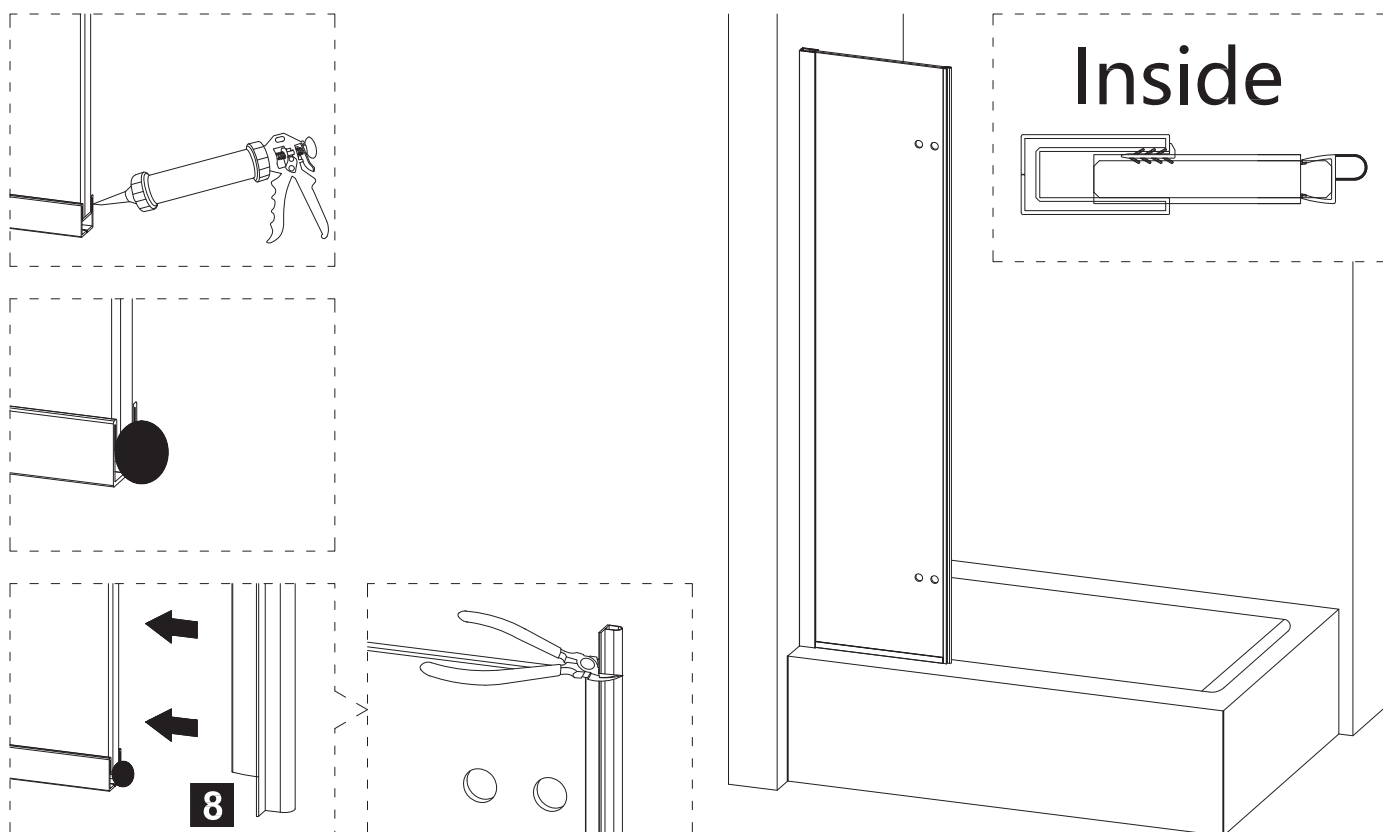
Step 3



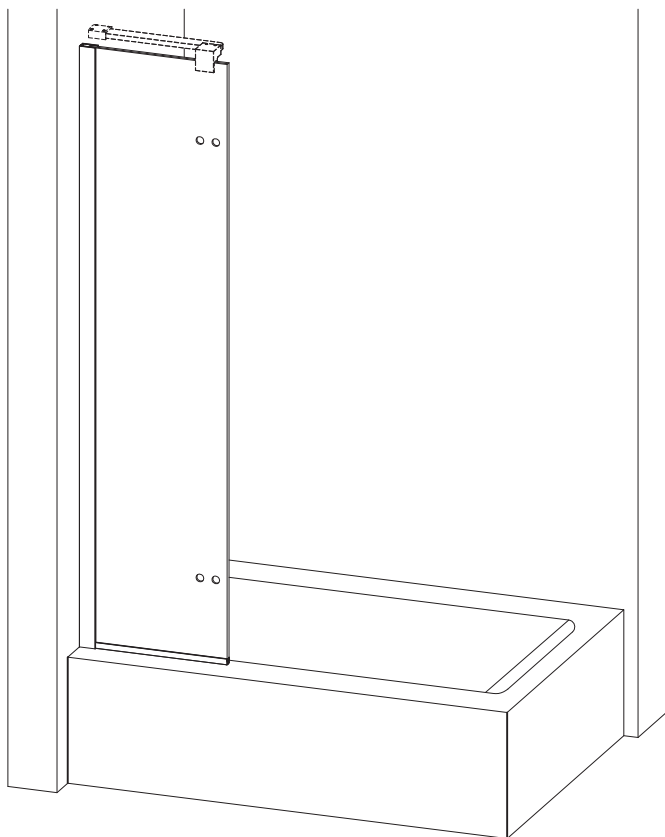
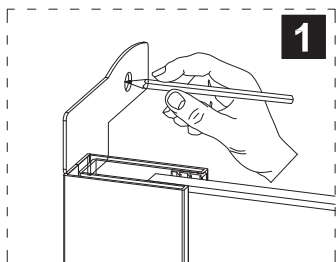
Step 4



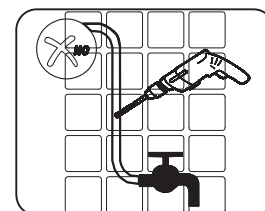
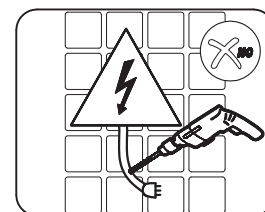
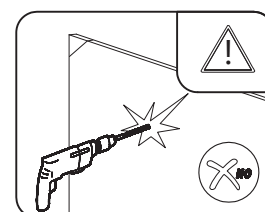
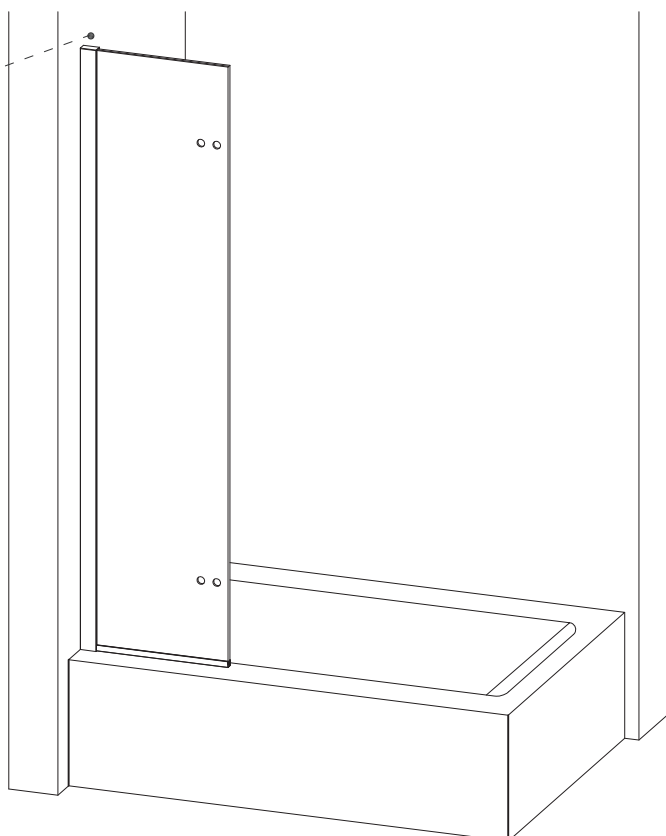
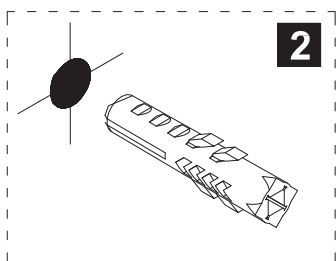
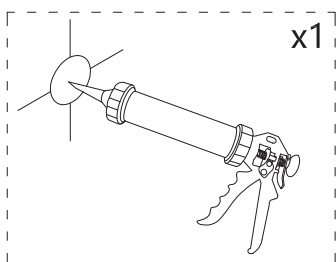
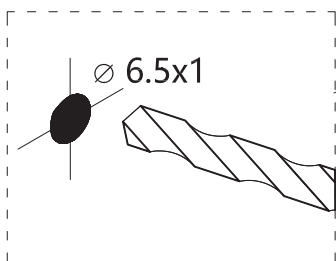
Step 5



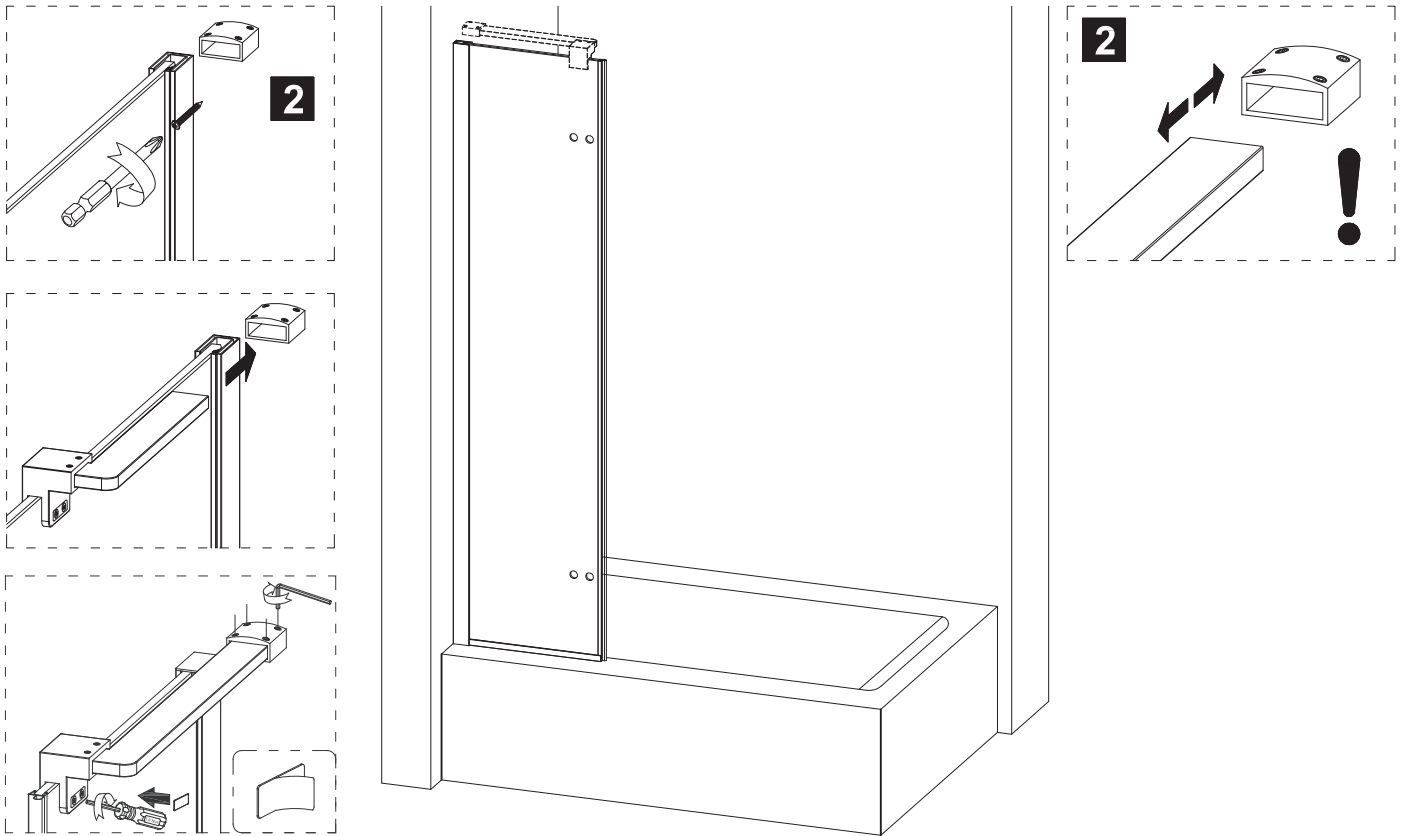
Step 6



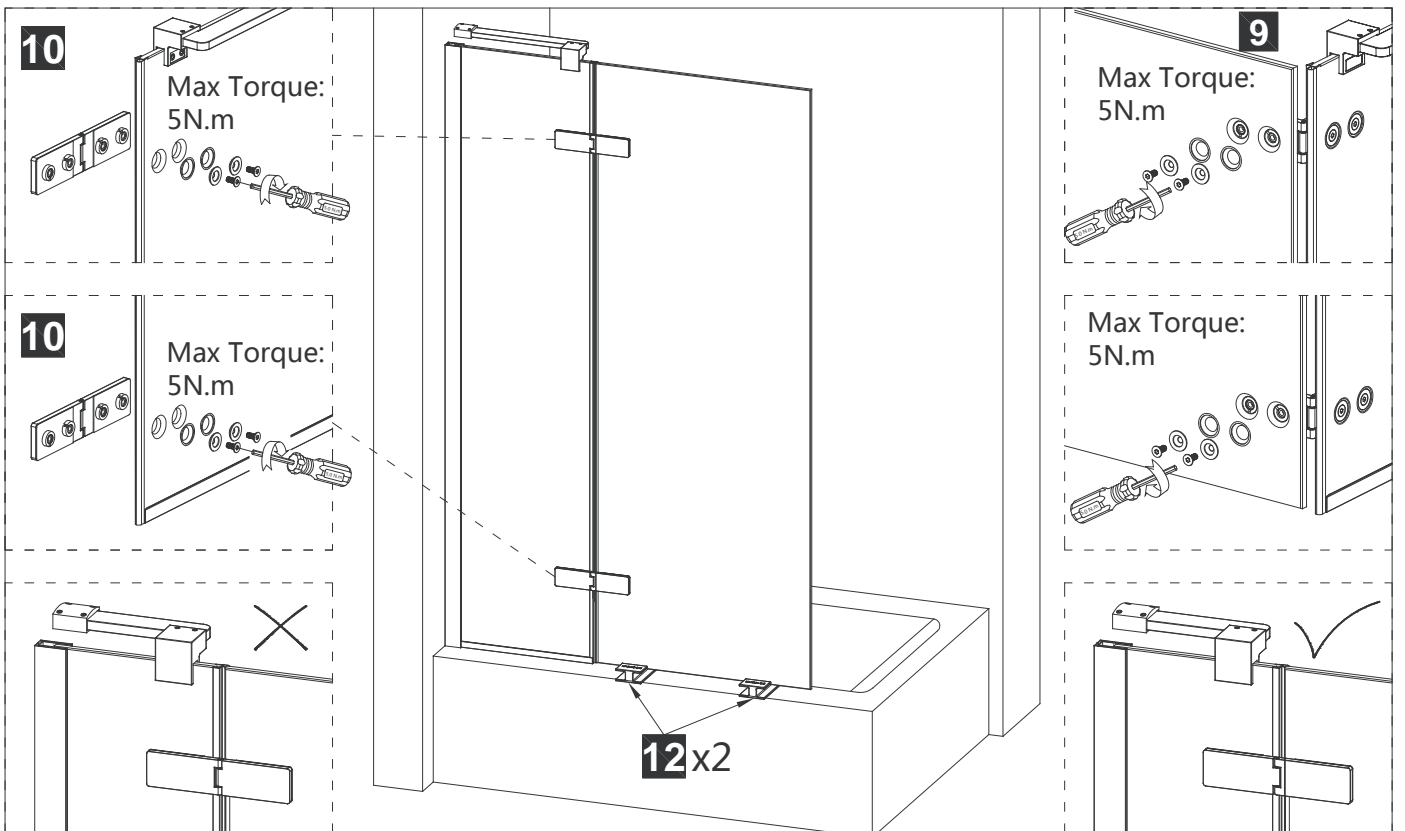
Step 7



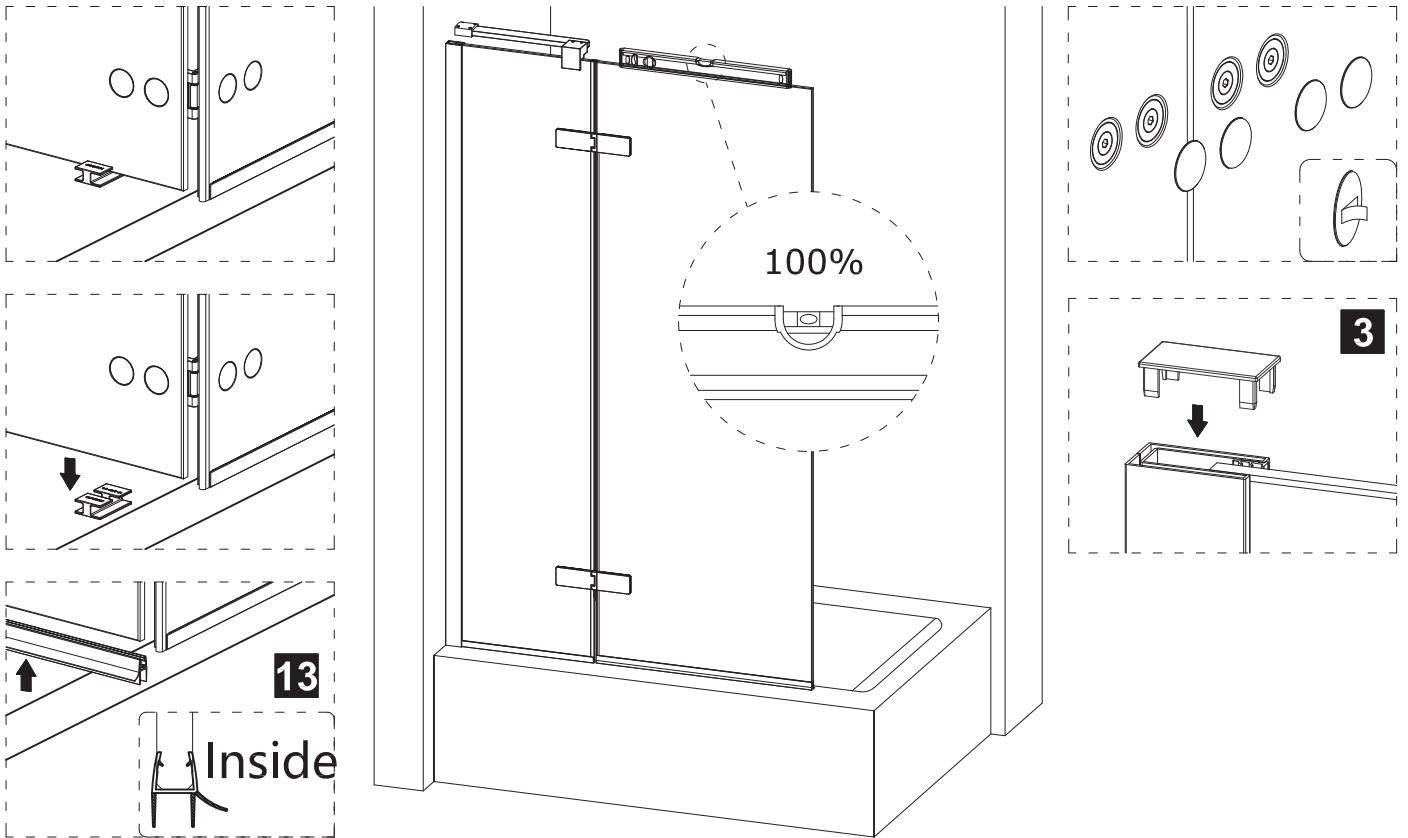
Step 8



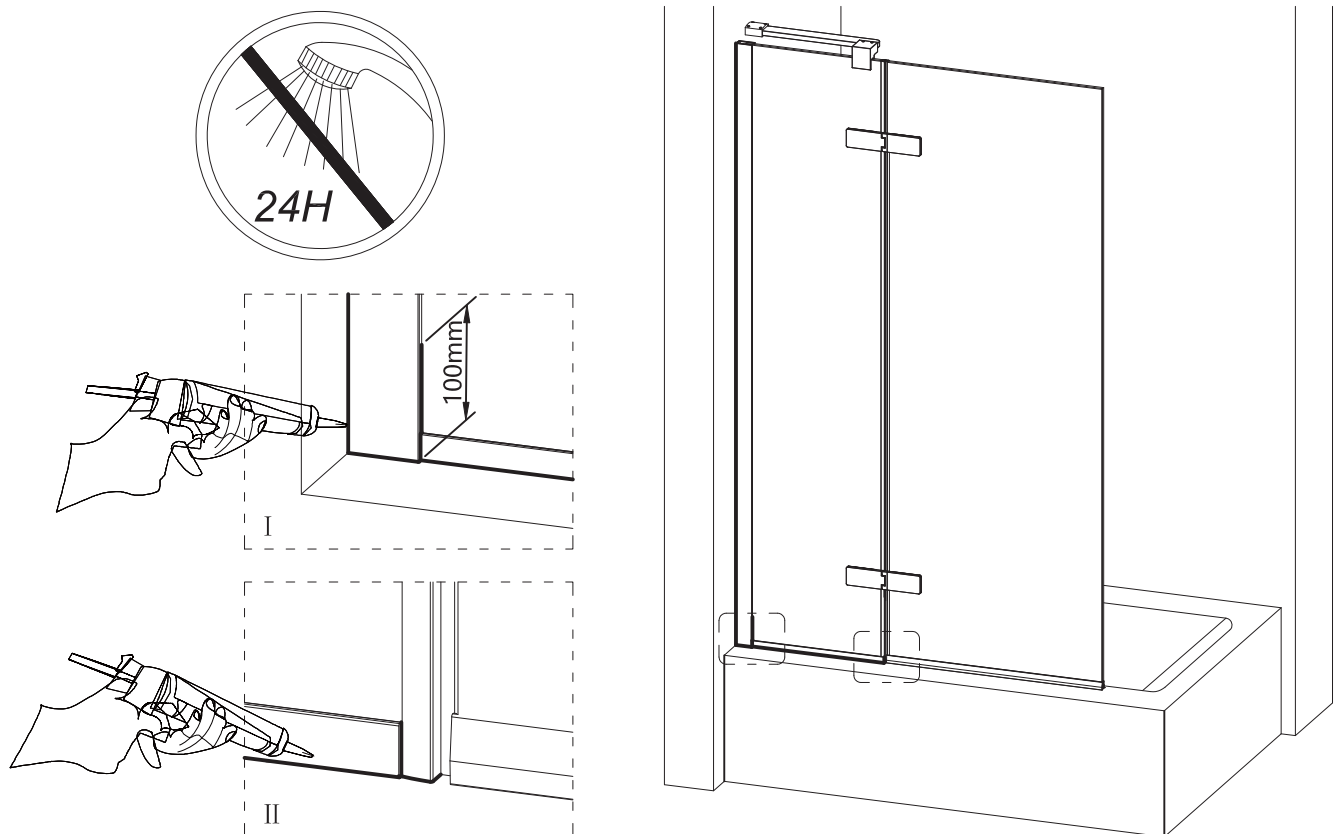
Step 9



Step 10



Step 11



crosswater[®]
SHOWERING

For any further information please contact Crosswater
Phone number, 0345 873 8840
Website, www.crosswater.co.uk
Email address, sales@crosswater.co.uk
The manufacturer reserves the right to make technical
modifications without prior notice.