

## Baby Clifton Heated Towel Rail

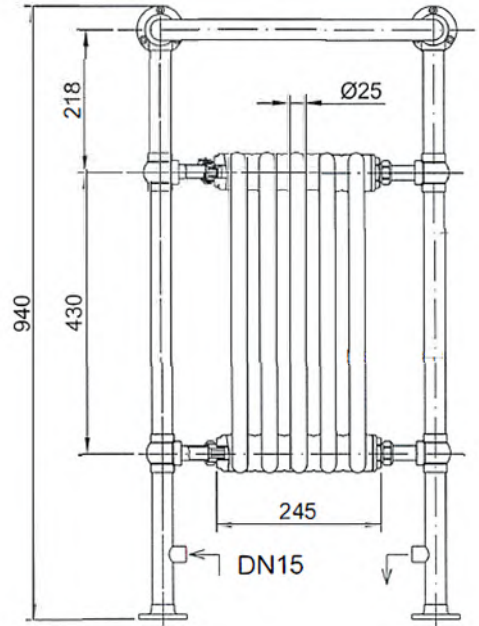
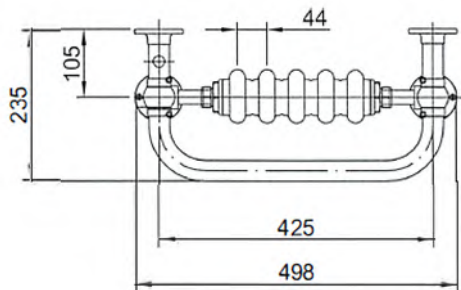
### Product Specification

<b>Product Codes &amp; Finishes:</b>	AHC80 (Chrome) AHA80 (Vintage Gold)
<b>Product Type:</b>	Classic
<b>Construction:</b>	Body is of Steel Construction and is designed to conform to BS EN 442
<b>Supply:</b>	Suitable for closed central heating systems
<b>Output:</b>	1335 BTU (391 Watts)
<b>Valve Centres:</b>	345mm
<b>Dimensions for Fitting:</b>	940 (H) mm, 498 (W) mm, 235 (D) mm



### Additional Information

- Chrome Plated to BS EN 248
- Includes Valves in Chrome & Gold finish
- Suitable for Closed Central Heating Systems Only
- 5 Year Guarantee



**Technical Advice:** For further information please call 0844 701 8503 or email [technical@heritagebathrooms.com](mailto:technical@heritagebathrooms.com).

**Guarantee:** 5 Year Guarantee covering manufacturing faults.