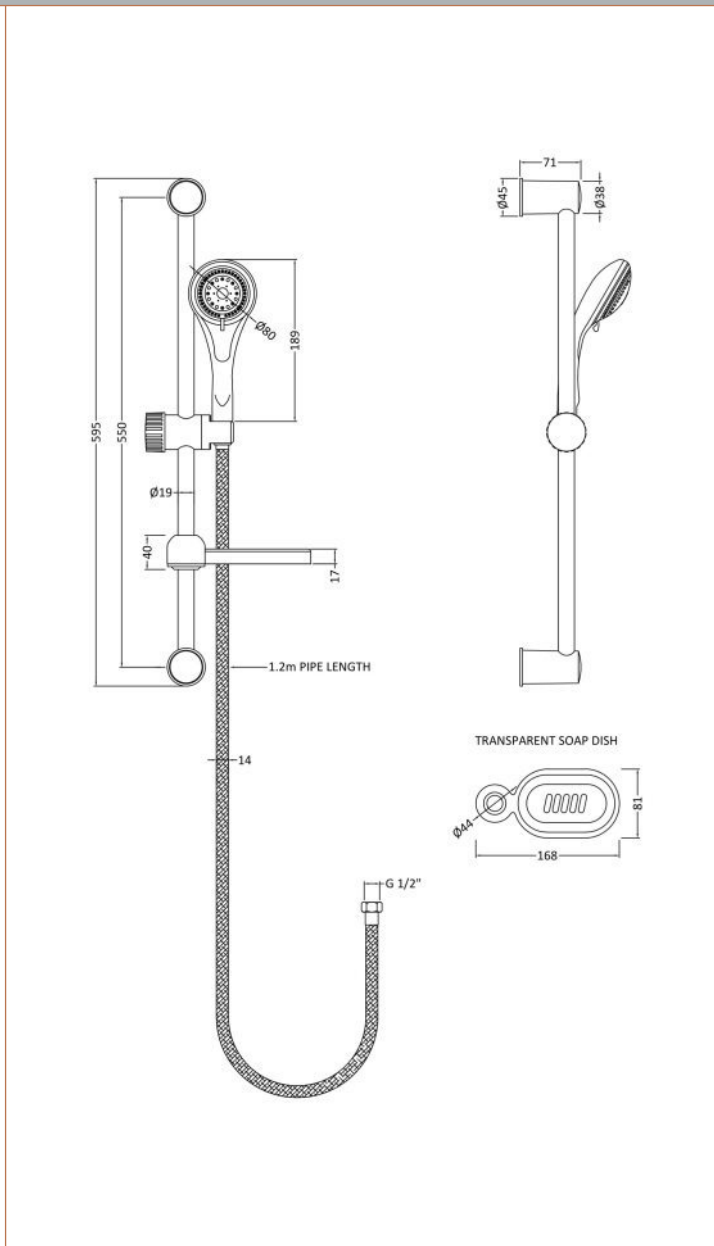


Sales Code: JTY034

Description: Slide Rail Kit



Product Dimensions

Length (mm):	
Width (mm):	168
Height (mm):	595
Depth (mm):	71
Nett Weight (kg):	0.68

Packaging Dimensions

Length (mm):	560
Width (mm):	110
Height (mm):	
Gross Weight (kg):	0.68

Packaging Data

Box Colour:	White Cardboard Box
Box Qty:	1
Label Size:	100 x 50
Label Colour:	White Label
Label Qty:	2

Outer Box Dimensions (If Applicable)

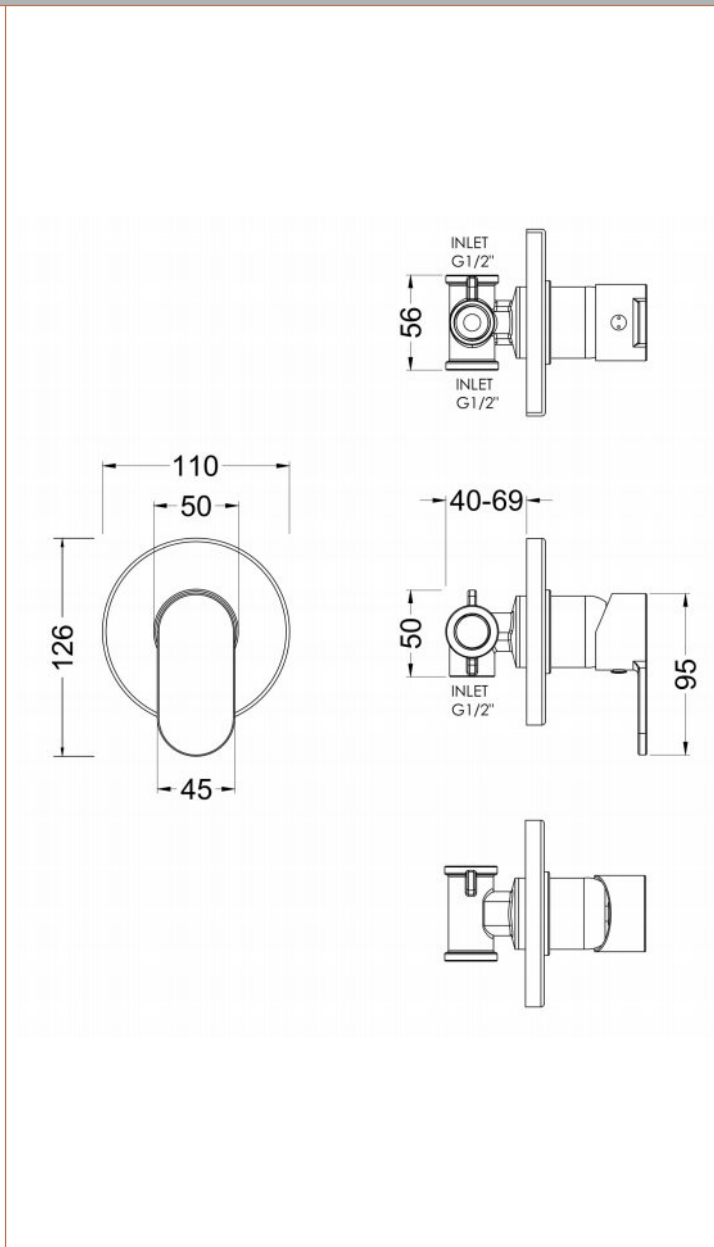
Length (mm):	
Width (mm):	
Height (mm):	
Depth (mm):	
Gross Weight (kg):	8
Barcode:	5055369034819

Product Details

Country of Origin:	China
Fitting Instruction:	No
Product Material:	Brass/ABS
Mount Type:	Surface, Wall
Outlet Elbow Supplied:	No
Easy Clean:	Yes
Head Included:	No
Handset Included:	Yes
Body Jets Included:	No
No of Body Jets:	Not Applicable
Operating Pressure (bar):	0.1
Valve/Cartridge Type:	Not Applicable
Flow Rates (L/min):	0.1 bar: N/A 0.5 bar: N/A 1 bar: N/A 2 bar: N/A 3 bar: N/A
TMV2 Approved:	No Approval No: N/A
TMV3 Approved:	No Approval No: N/A
WRAS Approved:	No Approval No: N/A
Head Function:	Not Applicable
Handset Function:	Multiple Settings
Body Jet Info:	Not Applicable
Pipe Size:	15 mm (1/2" Bsp)
Pipe Centres:	N/A
Colour/Finish:	Chrome
Hose Included:	Yes
No. of Outlets:	1

Sales Code: BINMV10

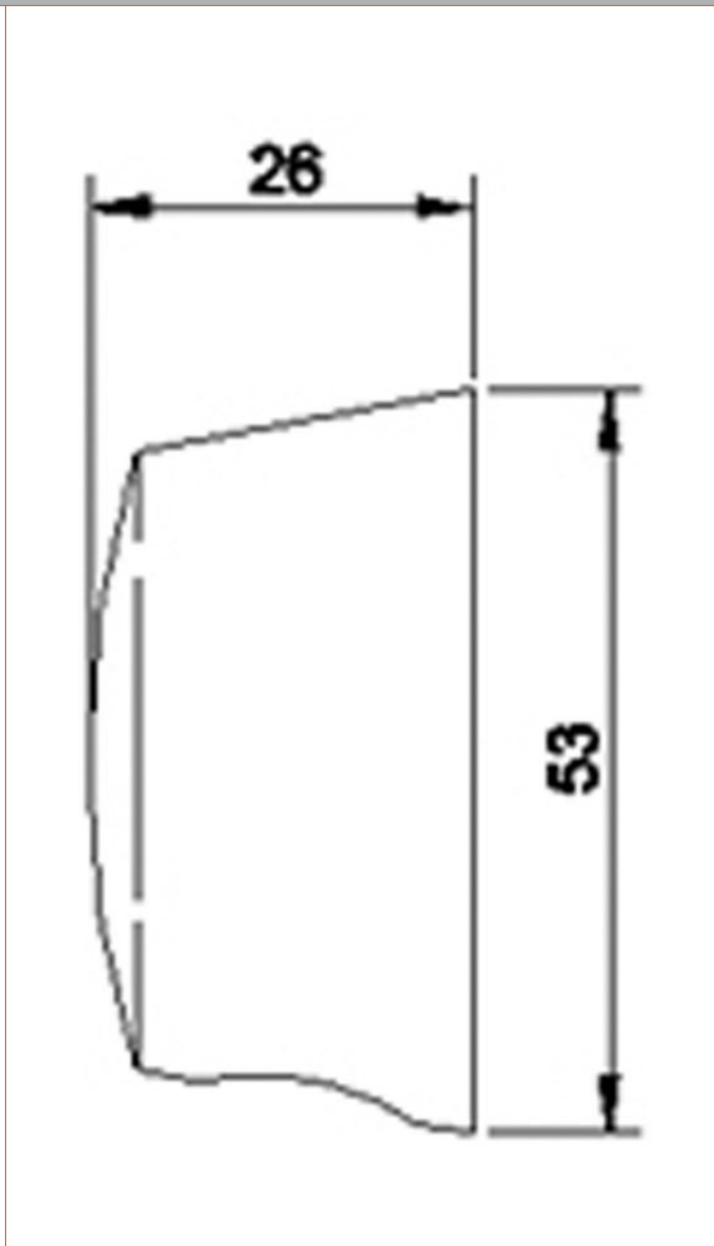
Description: Binsey Manual Shower Valve



Product Dimensions	
Length (mm):	
Width (mm):	110
Height (mm):	110
Depth (mm):	113
Nett Weight (kg):	1.07
Packaging Dimensions	
Length (mm):	150
Width (mm):	205
Height (mm):	
Gross Weight (kg):	1.07
Packaging Data	
Box Colour:	White Cardboard Box
Box Qty:	1
Label Size:	100 x 50
Label Colour:	White Label
Label Qty:	1
Outer Box Dimensions (If Applicable)	
Length (mm):	
Width (mm):	470
Height (mm):	470
Depth (mm):	400
Gross Weight (kg):	
Barcode:	5056211899037
Product Details	
Country of Origin:	United Kingdom
Fitting Instruction:	No
Product Material:	Brass/ABS
Mount Type:	Recessed, Wall
Outlet Elbow Supplied:	No
Easy Clean:	Not Applicable
Head Included:	No
Handset Included:	No
Body Jets Included:	No
No of Body Jets:	Not Applicable
Operating Pressure (bar):	0.5
Valve/Cartridge Type:	Single Lever Cartridge
Flow Rates (L/min):	0.1 bar: 3.4 0.5 bar: 7.9 1 bar: 11.2 2 bar: 15.9 3 bar: 19.5
TMV2 Approved:	No Approval No: N/A
TMV3 Approved:	No Approval No: N/A
WRAS Approved:	No Approval No: N/A
Head Function:	Not Applicable
Handset Function:	Not Applicable
Body Jet Info:	Not Applicable
Pipe Size:	15 mm (1/2" Bsp)
Pipe Centres:	N/A
Colour/Finish:	Chrome
Hose Included:	Not Applicable
No. of Outlets:	1

Sales Code: A3203

Description: Outlet Elbow



Product Dimensions

Length (mm):	
Width (mm):	53
Height (mm):	53
Depth (mm):	26
Nett Weight (kg):	0.2

Packaging Dimensions

Length (mm):	80
Width (mm):	55
Height (mm):	
Gross Weight (kg):	0.2

Packaging Data

Box Colour:	White Cardboard Box
Box Qty:	1
Label Size:	100 x 50
Label Colour:	White Label
Label Qty:	2

Outer Box Dimensions (If Applicable)

Length (mm):	
Width (mm):	300
Height (mm):	250
Depth (mm):	420
Gross Weight (kg):	20
Barcode:	5055146110200

Product Details

Country of Origin:	China
Fitting Instruction:	No
Product Material:	Plastic
Mount Type:	Surface, Wall
Outlet Elbow Supplied:	Yes
Easy Clean:	Not Applicable
Head Included:	No
Handset Included:	Not Applicable
Body Jets Included:	Not Applicable
No of Body Jets:	Not Applicable
Operating Pressure (bar):	
Valve/Cartridge Type:	Not Applicable
Flow Rates (L/min):	0.1 bar: N/A 0.5 bar: N/A 1 bar: N/A 2 bar: N/A 3 bar: N/A
TMV2 Approved:	No Approval No: N/A
TMV3 Approved:	No Approval No: N/A
WRAS Approved:	No Approval No: N/A
Head Function:	Not Applicable
Handset Function:	Not Applicable
Body Jet Info:	Not Applicable
Pipe Size:	Not Applicable
Pipe Centres:	N/A
Colour/Finish:	Chrome
Hose Included:	Not Applicable
No. of Outlets:	N/A