

# TECHNICAL DATA SHEET

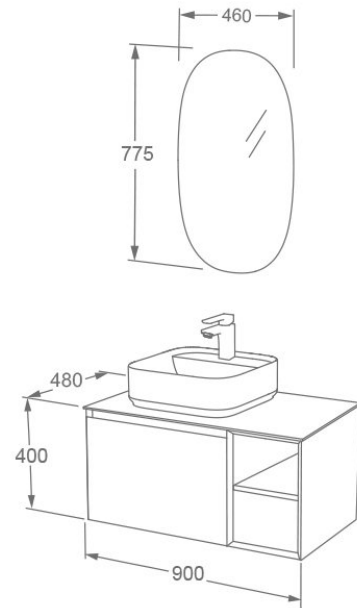
ÜÖXQ ò Á Æ Á Ü ò Š Ò Á Ö Ü Ö Y Ò Ü Á Ö É Ö ò V Á ò Á Ť Ö V ò

Category: Furniture  
Guarantee: 10 year cabinet guarantee  
Type: Ravine single drawer furniture

Weight: 31.35kg

Code: FZHF2780-900-B0005

Range: Ravine



Dimensions are in millimetres except thread sizes which are BSP imperial.

## Features

- Large storage capacity Soft Closing Metal Drawer Box
- Fine Clay Slim Edge Countertop Basins
- Available with a Solid White or White Marble Quartz worktop

Available in three colours



Natural Stone



Slate



Grey Marble

## Notes

Our guarantee is subject to the product having been installed, used and maintained in accordance with our instructions.

Imex furniture is guaranteed for 10 years from date of purchase.

All hinges, which are subject to normal wear and tear, are covered for 36 months from proof of purchase date. Our guarantee applies to the original purchaser and is nontransferable. Our guarantee is only applicable in the UK and ROI. This does not affect your statutory rights.

We reserve the right to change product specifications without prior notification.