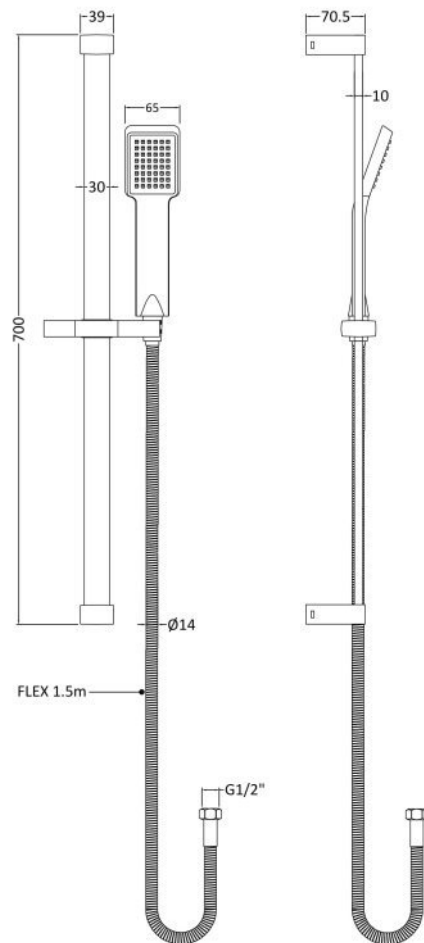


Sales Code: STY059

Description: Rectangular Slide Rail Kit



### Product Dimensions

Length (mm):	
Width (mm):	660
Height (mm):	660
Depth (mm):	70
Nett Weight (kg):	0.9

### Packaging Dimensions

Length (mm):	668
Width (mm):	153
Height (mm):	
Gross Weight (kg):	0.9

### Packaging Data

Box Colour:	White Cardboard Box
Box Qty:	1
Label Size:	100 x 50
Label Colour:	White Label
Label Qty:	2

### Outer Box Dimensions (If Applicable)

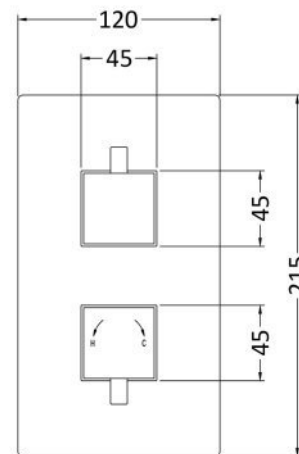
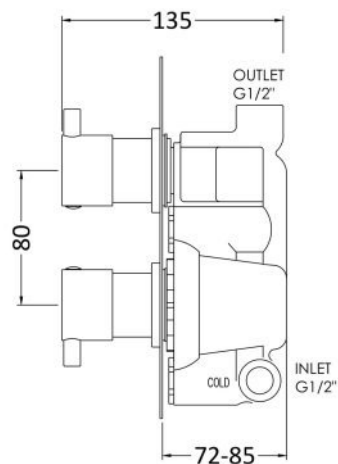
Length (mm):	
Width (mm):	
Height (mm):	
Depth (mm):	
Gross Weight (kg):	11
Barcode:	5055369015870

### Product Details

Country of Origin:	China
Fitting Instruction:	No
Product Material:	Brass/ABS
Mount Type:	Surface, Wall
Outlet Elbow Supplied:	No
Easy Clean:	Yes
Head Included:	No
Handset Included:	Yes
Body Jets Included:	No
No of Body Jets:	Not Applicable
Operating Pressure (bar):	0.1
Valve/Cartridge Type:	Not Applicable
Flow Rates (L/min):	0.1 bar: N/A 0.5 bar: N/A 1 bar: N/A 2 bar: N/A 3 bar: N/A
TMV2 Approved:	No Approval No: N/A
TMV3 Approved:	No Approval No: N/A
WRAS Approved:	No Approval No: N/A
Head Function:	Not Applicable
Handset Function:	Single Setting
Body Jet Info:	Not Applicable
Pipe Size:	15 mm (1/2" Bsp)
Pipe Centres:	N/A
Colour/Finish:	Chrome
Hose Included:	Yes
No. of Outlets:	1

Sales Code: JTY301

Description: Twin Conc Thermostatic Shower Valve



### Product Dimensions

Length (mm):	
Width (mm):	120
Height (mm):	215
Depth (mm):	133
Nett Weight (kg):	2.87

### Packaging Dimensions

Length (mm):	250
Width (mm):	240
Height (mm):	
Gross Weight (kg):	2.87

### Packaging Data

Box Colour:	White Cardboard Box
Box Qty:	1
Label Size:	100 x 50
Label Colour:	White Label
Label Qty:	2

### Outer Box Dimensions (If Applicable)

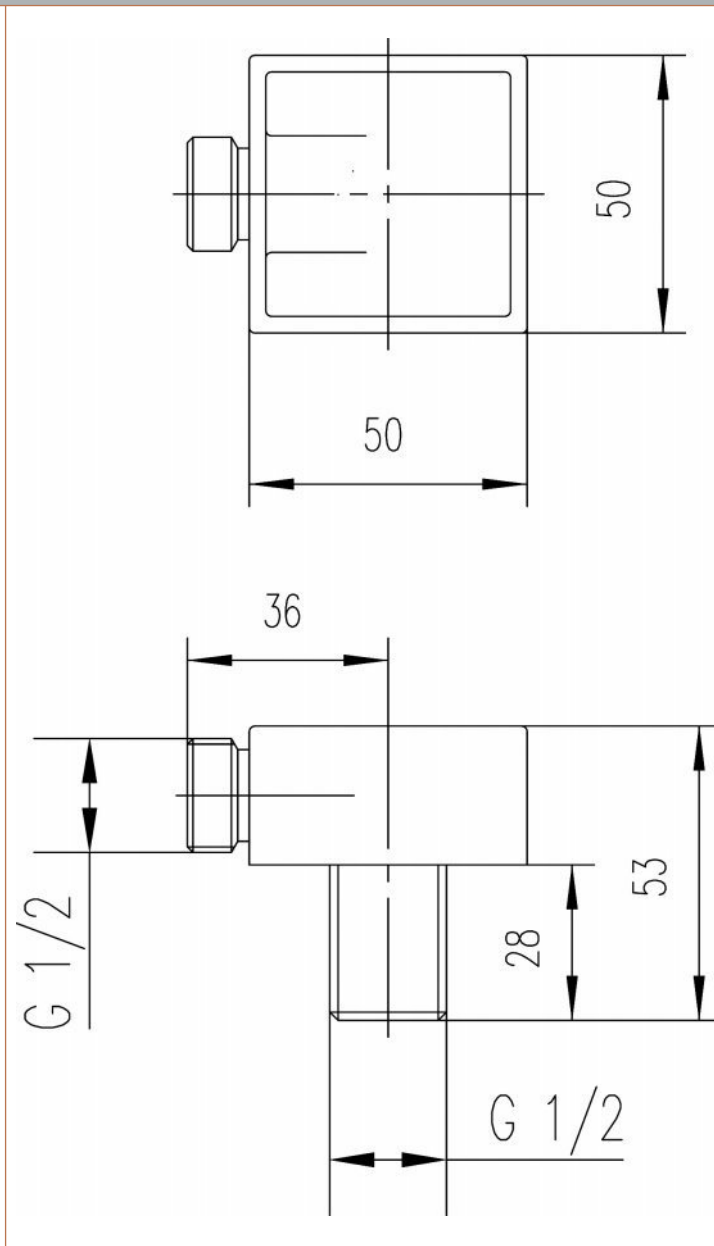
Length (mm):	
Width (mm):	500
Height (mm):	370
Depth (mm):	275
Gross Weight (kg):	17
Barcode:	5055146188940

### Product Details

Country of Origin:	United Kingdom
Fitting Instruction:	No
Product Material:	Brass/ABS
Mount Type:	Wall, Recessed
Outlet Elbow Supplied:	No
Easy Clean:	Not Applicable
Head Included:	No
Handset Included:	No
Body Jets Included:	Not Applicable
No of Body Jets:	Not Applicable
Operating Pressure (bar):	0.1
Valve/Cartridge Type:	1/4 Turn Ceramic Disc
Flow Rates (L/min):	0.1 bar: 5.5    0.5 bar: 14    1 bar: 20    2 bar: 29    3 bar: 44
TMV2 Approved: Yes	Approval No: Bc 1875 00817
TMV3 Approved: Yes	Approval No: Nsf 1938 1217
WRAS Approved: Yes	Approval No: 1703023
Head Function:	Not Applicable
Handset Function:	Not Applicable
Body Jet Info:	Not Applicable
Pipe Size:	15 mm (1/2" Bsp)
Pipe Centres:	N/A
Colour/Finish:	Chrome
Hose Included:	Not Applicable
No. of Outlets:	1

Sales Code: A3245

Description: Square Outlet Elbow



### Product Dimensions

Length (mm):	
Width (mm):	36
Height (mm):	53
Depth (mm):	36
Nett Weight (kg):	0.23

### Packaging Dimensions

Length (mm):	65
Width (mm):	65
Height (mm):	
Gross Weight (kg):	0.28

### Packaging Data

Box Colour:	White Cardboard Box
Box Qty:	1
Label Size:	100 x 50
Label Colour:	White Label
Label Qty:	2

### Outer Box Dimensions (If Applicable)

Length (mm):	
Width (mm):	355
Height (mm):	305
Depth (mm):	355
Gross Weight (kg):	28
Barcode:	5055146169529

### Product Details

Country of Origin:	China
Fitting Instruction:	No
Product Material:	Brass/ABS
Mount Type:	Surface, Wall
Outlet Elbow Supplied:	Yes
Easy Clean:	Not Applicable
Head Included:	No
Handset Included:	Not Applicable
Body Jets Included:	Not Applicable
No of Body Jets:	Not Applicable
Operating Pressure (bar):	
Valve/Cartridge Type:	Not Applicable
Flow Rates (L/min):	0.1 bar: N/A 0.5 bar: N/A 1 bar: N/A 2 bar: N/A 3 bar: N/A
TMV2 Approved:	No Approval No: N/A
TMV3 Approved:	No Approval No: N/A
WRAS Approved:	No Approval No: N/A
Head Function:	Not Applicable
Handset Function:	Not Applicable
Body Jet Info:	Not Applicable
Pipe Size:	Not Applicable
Pipe Centres:	N/A
Colour/Finish:	Chrome
Hose Included:	No
No. of Outlets:	N/A