



SensoWash[®] Starck f

Pre-installation Data Sheet

Index

Product information - Functions	3
Product information - Overview accessories	4
General planning tips	5
Electrical installation	6
Water installation	7
SensoWash® data sheets	8

Note

Target readership and qualifications

The product and associated water connection should only be installed by qualified plumbers. The electrical installation should only be carried out by qualified electricians.

Standards and regulations

The breach of local and country-specific regulations and standards can cause damage to the product and/or property damage.

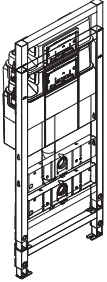
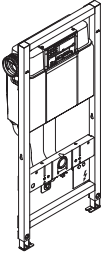
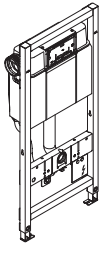


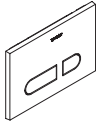
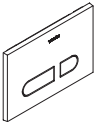
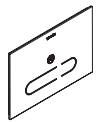

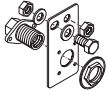


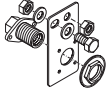

- > Local installation regulations, country-specific standards and the Low Voltage Directives shall be observed at all times

Product information - Functions

	Europe SensoWash® Starck f		International SensoWash® Starck f	
	Plus	Lite	Plus	Lite
Shower functions				
Rearwash	●	●	●	●
Ladywash	●	●	●	●
Comfortwash	●	●	●	●
Adjustable spray wand position	●	●	●	●
Adjustable water spray intensity	●	●	●	●
Seat				
Seat heating	●	●	●	●
Energy saving mode	●	●	●	●
Auto opening and closing lid	●	-	●	-
Electromotive actuated lid	●	-	●	-
Seat sensor	●	●	●	●
Comfort				
Warm air dryer	●	●	●	●
Adjustable water / dryer / seat temperature	● / ● / ●	● / ● / ●	● / ● / ●	● / ● / ●
Flushing functions via remote control or App	● ¹⁾	● ¹⁾	● ¹⁾	● ¹⁾
Odor extraction via remote control or App	● ²⁾	● ²⁾	●	● ²⁾
Programmable user profiles	●	-	●	-
Night light function	●	●	●	●
Remote control	●	●	●	●
SensoWash App	●	●	●	●
Protection device				
EN 1717	●	●	-	-
Hygiene				
Rimless	●	●	●	●
HygieneGlaze	●	●	●	●
Descaling function	●	●	●	●
Automatic cleaning of spray wand and nozzle before and after use	●	●	●	●

¹⁾ Only in combination with DuraSystem® installation elements (#WD1003, #WD1004), A2 actuator plate (#WD5003) and Interface set (#100729)/ ²⁾ Only in combination with DuraSystem® installation element (#WD1004), A2 actuator plate (#WD5003) and Interface set (#100729)

Product information - Overview accessories

Toilet frames	DuraSystem® Standard Basic ¹⁾	DuraSystem® Standard/ Standard Plus ¹⁾	DuraSystem® Premium/ Premium Plus ¹⁾	Other manufacturers without conduit pipe	Other manufacturers with conduit pipe
	 #WD1007/#WD1009/ #WD1010	 #WD1001/#WD1002/ #WD1006/#WD1008	 #WD1003/#WD1004		
Actuator plates	A1 (mechanical)		A2 (electronic)		
	 #WD5001/ #WD5002 ²⁾	 #WD5001/ #WD5002 ²⁾	 #WD5003	-	-
Interface Starck f - electronic actuator plate			 #100729	-	-
Water connection	permanent connection	via ductwork in the cistern	via ductwork in the cistern	permanent connection	via ductwork in the cistern
	 #005072	 #100731	 #100731	 #005072	 #100731 Confirm ductwork situation and necessary connecting kit with the manufacturer of the toilet frame
Electrical connection	Duravit recommends the installation of separate fused power supply line for the shower toilet unit.				

¹⁾ Refer to DuraSystem® technical documentation prior to installation. / ²⁾ Glass design surface cannot be combined with 99 cm and 84 cm reduced size frames.

General planning tips

Installation location

Before starting the installation, plan the layout in detail, taking the site conditions into consideration.

NOTICE

Product and property damage

- > Do NOT install the product in a room exposed to excessive moisture. Ensure sufficient ventilation to avoid condensation in electric components.

Freezing water

If the room temperature is too low, this can cause damage to the product.

- > Do NOT install the product in rooms where there is a danger of frost. The room temperature must not be less than 4 °C (39 °F).

Functions

Extending DuraSystem® functions to SensoWash® Starck f

Additional functions are available if the Starck f shower toilet unit is combined with a DuraSystem® installation element (#WD1003, #WD1004) and the electronic actuator plate A2 (#WD5003).

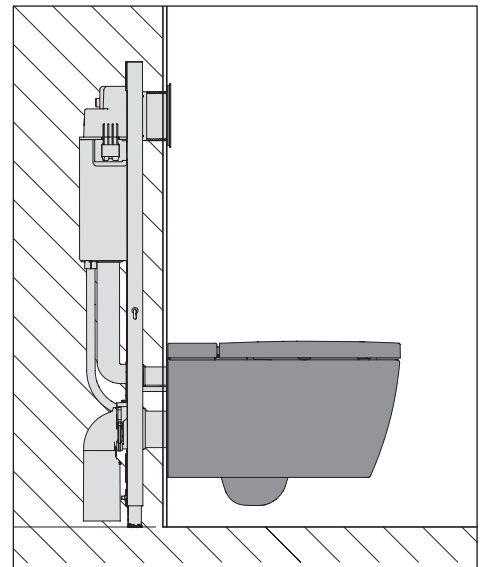
- > Install interface set (#100729)

Via the interface the flushing functions included in installation elements #WD1003 and #WD1004 can be controlled via the Starck f remote control/app.

The European version of the Starck f does not include odor extraction function. Via the interface the odor extraction included in the installation element #WD1004 can be controlled via the Starck f remote control/app.

Installation phases

Installing SensoWash® Starck f in combination with DuraSystem®:



	Rough-in installation	Final installation
Installation element	●	-
Actuator plate	-	●
Starck f (ceramic)	-	●
Starck f (shower toilet unit)	-	●
Accessories		
Pre-installation kit (#005072)	●	-
Connecting set (#100731)	-	●
Interface set (#100729)	●	-



Electrical installation



Circuit breaker	$I_N = 16 \text{ A}$
RCD	$I_N = 30 \text{ mA}$
Protection degree	IP X4
Protection class	I

Target readership and qualifications

All work associated with the electrical connection should only be undertaken by qualified electricians.

- > Observe the local installation regulations and any country-specific standards at all times.



DANGER

Risk of fatal electric shock

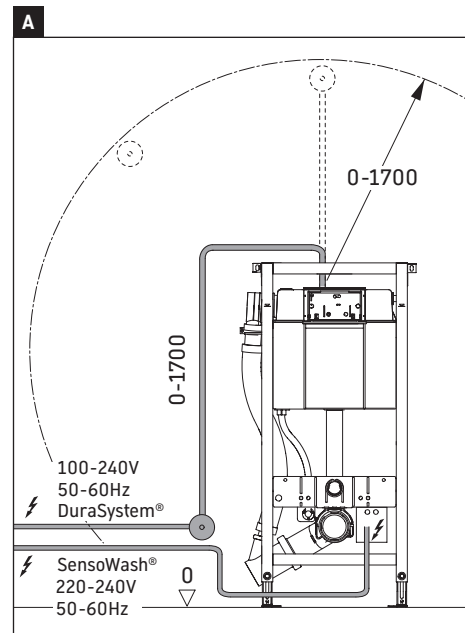
- > Disconnect electrical components from the power supply before the installation.
- > Check that all components are de-energised.
- > Prevent the power supply from being switched on accidentally.
- > Ensure that there is no damage to the power supply cable.

Pre-installation/general planning

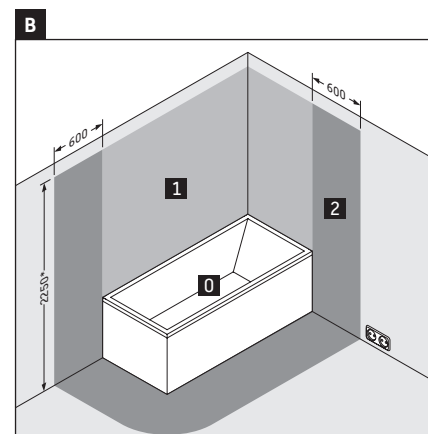
- > Lay a permanent power supply line which must be on a separate circuit:
 - > Observe the position of the electrical connection.
 - > Leave at least 800 mm (31½ ") of feed cable exposed
- > Install circuit breaker.
- > If the product itself does not have electrical leakage protection function, it must be installed in circuit where there is leakage protection device installed.
- > Means for disconnection must be incorporated in the fixed wiring in accordance with the wiring rules and having a contact separation in all poles that provide full disconnection under overvoltage category III conditions.

Combining SensoWash® Starck f with DuraSystem®

- > Duravit recommends a second separate fused power supply line (diagram A) in combination with
 - > DuraSystem® installation elements #WD1002, #WD1003, #WD1004.
 - > DuraSystem® accessory hygiene flush #WD6002 (optional)
- > Plan a position for concealed box:
 - > within 1700 mm (diagram A)
 - > outside the protection zones 0 - 2 (diagram B)



Protection zones in accordance with DIN VDE 0100-701





Water installation



Cold water	DN15 (½ ")
Water pressure	0.07 – 0.75 MPa (10 – 109 psi)
Water hardness	max. 2.4 mmol/l (240 ppm)

Target readership and qualifications

All work associated with the water connection should only be undertaken by qualified plumbers.

- > Observe the local installation regulations and any country-specific standards at all times.

Water connection - SensoWash®



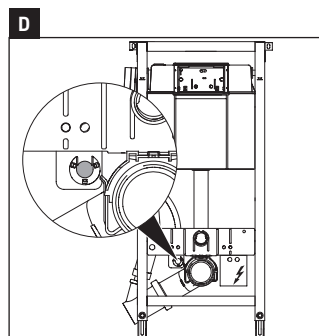
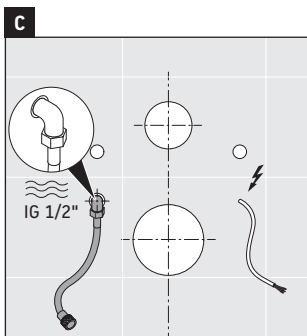
DANGER

Health risk and potential

product damage

- > Supply the shower toilet with cold drinking water from the main water system.
- > Do not connect any waste water, grey water, industrial water, sea water or other untreated or semi-treated water.

The water connection to the SensoWash® shower toilet can be made via a permanent connection (diagram C) or via ductwork in the cistern (diagram D).



Descaling

NOTICE

Product damage due to limescale build-up

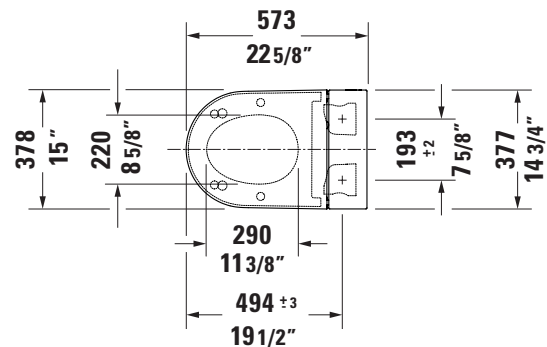
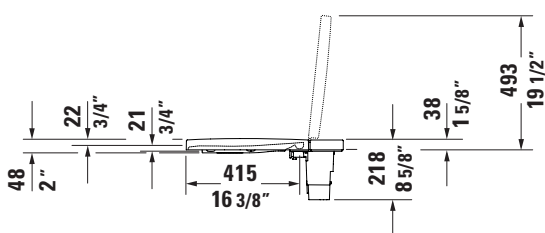
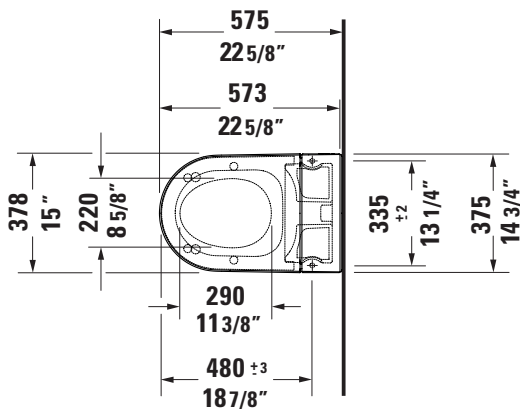
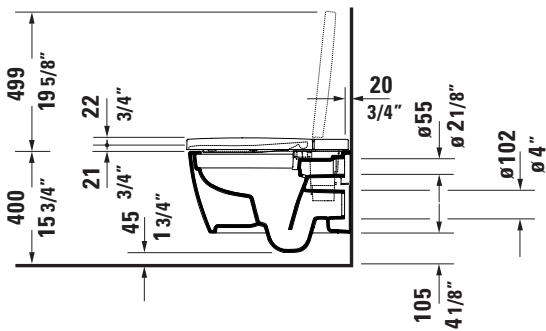
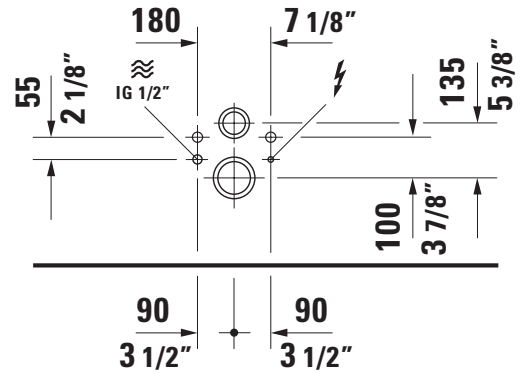
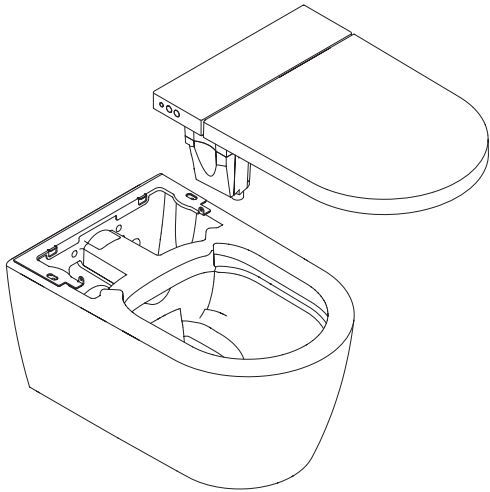
In regions with hard water, limescale build-up can impair the performance of the product.

- > Check the water quality in your region. Duravit recommends the installation of a water softener with water hardness $\geq 14^\circ$ dH (2.5 mmol/l).
- > Make sure to descale the product regularly.
- > Only use descaling agents provided or approved by Duravit.
- > For products without integrated descaling function contact Duravit customer service hotline.

Water hardness		Descaling cycle
soft	<8.4° dH (1.5 mmol/l)	every six months
moderate	8.4 – 14° dH (1.5 – 2.5 mmol/l)	every six months
hard	>14° dH (2.5 mmol/l)	quarterly

SensoWash® data sheets

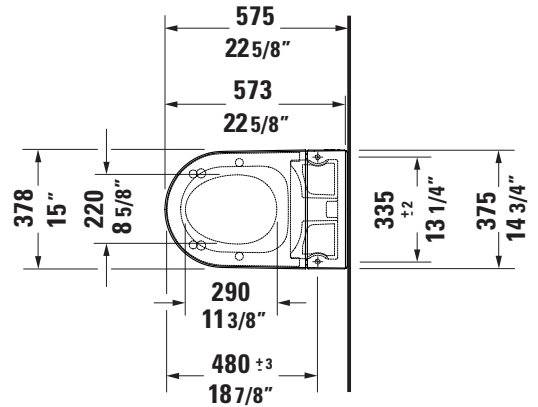
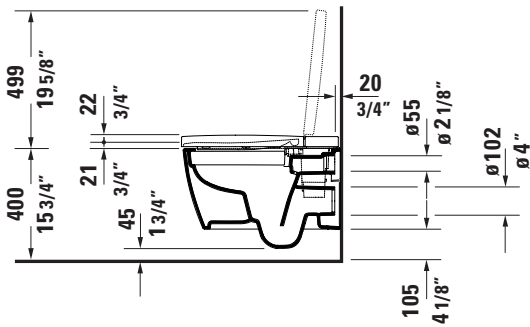
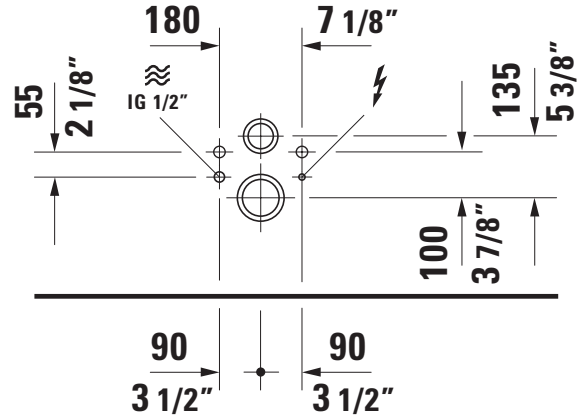
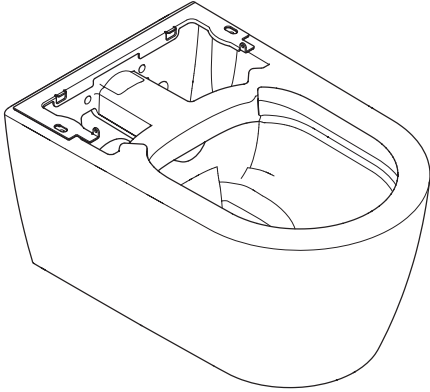
SensoWash® Starck f, Compact shower toilet (EU)



Technical data

	Net weight kg	Shipping weight kg	Shipping dimensions cm h x d x w	Order no.
Strack f Plus (EU)	32,5	35,4	700 x 640 x 450	650000 01 2 00 4320
Starck f Lite (EU)	32,5	35,4	700 x 640 x 450	650001 01 2 00 4310

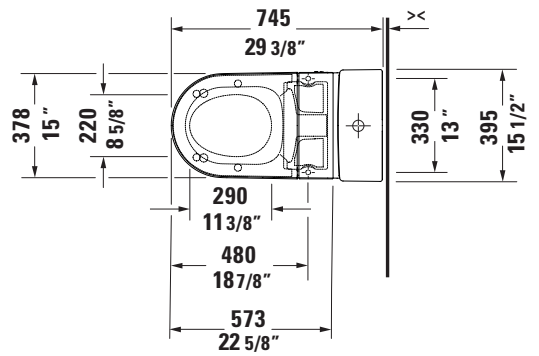
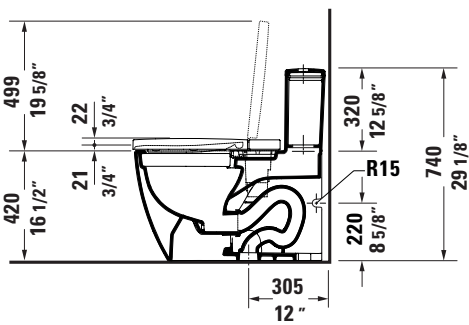
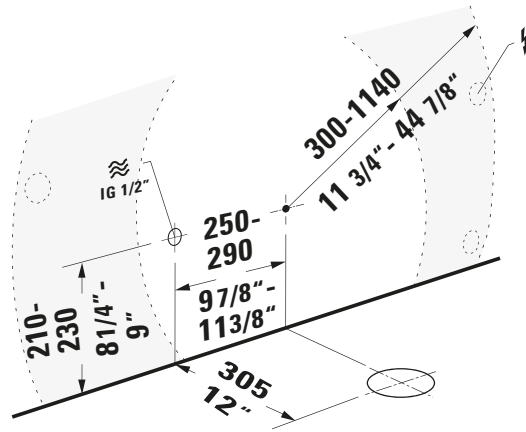
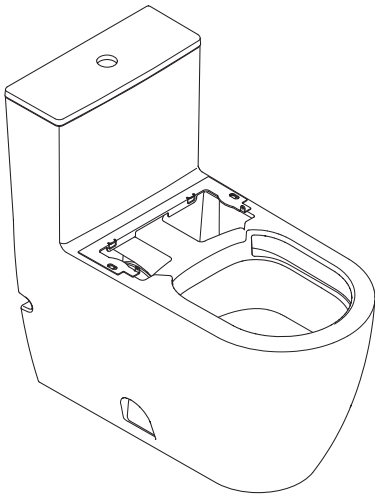
SensoWash® Starck f, wall mounted ceramic (CN, RE, TW, US)



Technical data

	Net weight kg	Shipping weight kg	Shipping dimensions cm h x d x w	Order no.
Starck f wall mounted (RE_TW_CN)	25	27.1	410 x 620 x 430	251009 20 00
Starck f wall mounted (US)	25	27.1	410 x 620 x 430	251009 20 92

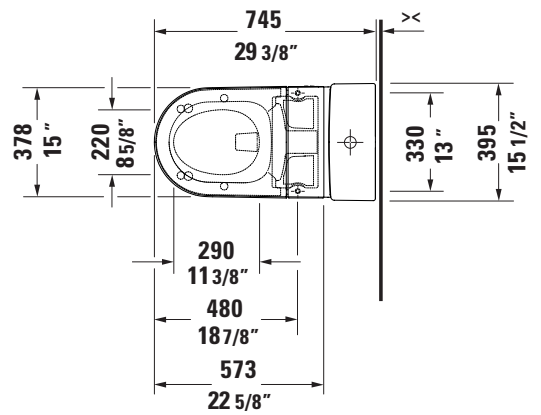
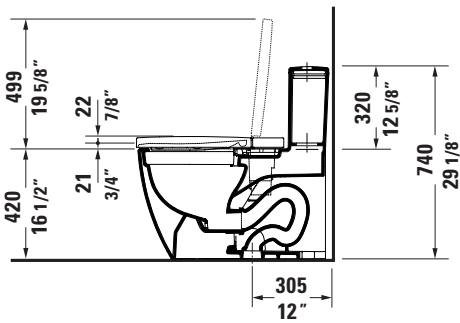
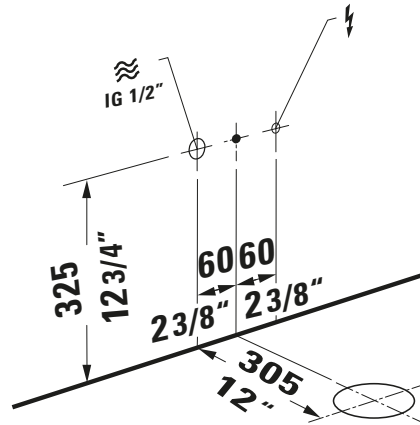
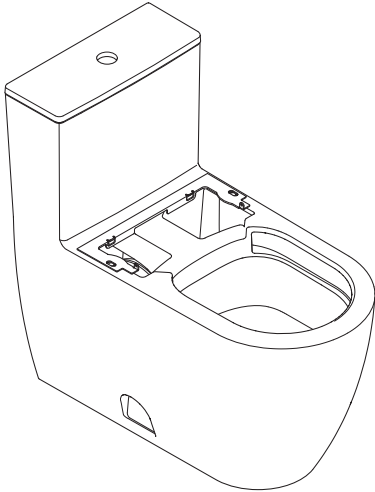
SensoWash® Starck f, One-Piece ceramic (exposed connection) (CN, RE, TW, US)



Technical data

	Net weight kg	Shipping weight kg	Shipping dimensions cm h x d x w	Order no.
Stack f One-Piece (RE_TW_CN)	56.5	60	870 x 980 x 420	218901 20 05
Stack f One-Piece (US)	56.5	60	870 x 980 x 420	218901 20 U2

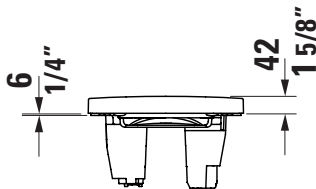
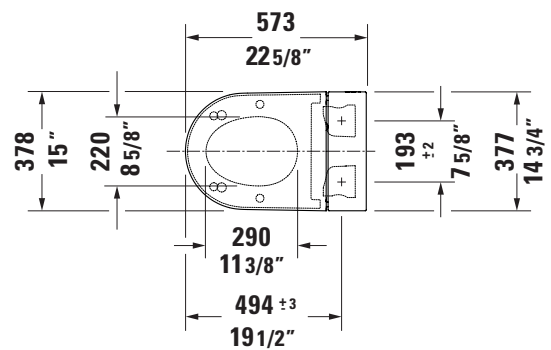
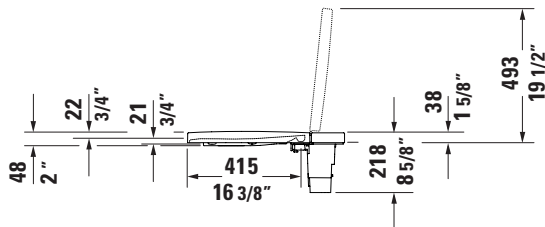
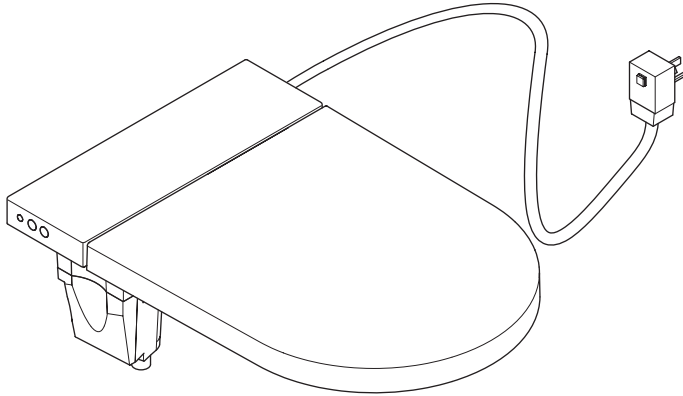
SensoWash® Starck f, One-Piece ceramic (concealed connection) (RE,TW,CN)



Technical data

	Net weight kg	Shipping weight kg	Shipping dimensions cm h x d x w	Order no.
Stack f One-Piece (RE_TW_CN)	56.5	60	870 x 980 x 420	219001 20 05

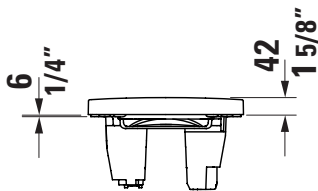
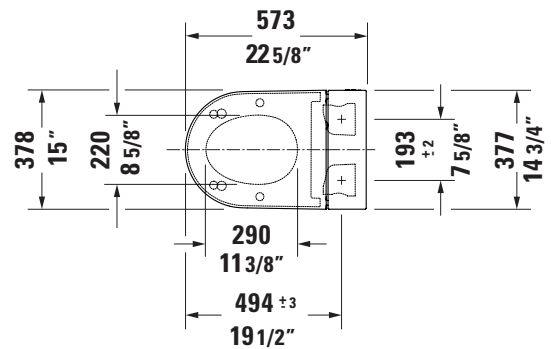
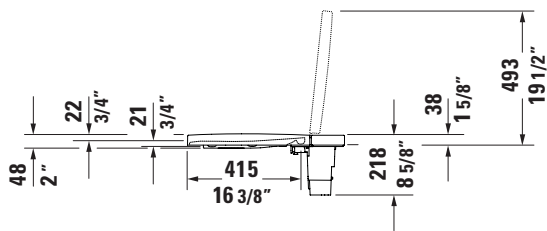
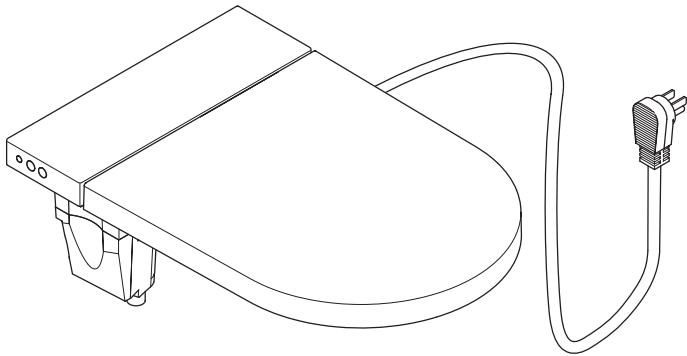
SensoWash® Starck f, shower toilet unit (CN)



Technical data

	Net weight kg	Shipping weight kg	Shipping dimensions cm h x d x w	Order no.
Strack f Plus (CN)	5.25	10.2	300 x 612 x 415	612000 01 2 01 2320
Strack f Lite (CN)	5.25	10.2	300 x 612 x 415	612001 01 2 01 2310

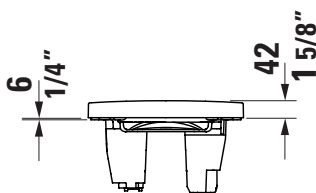
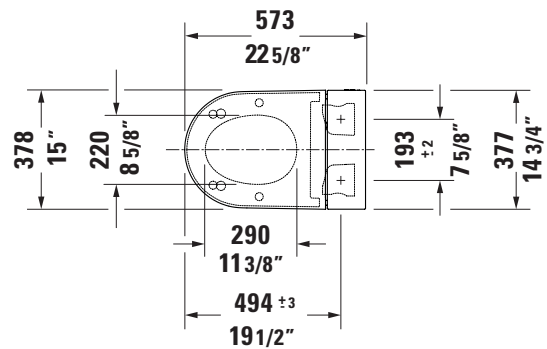
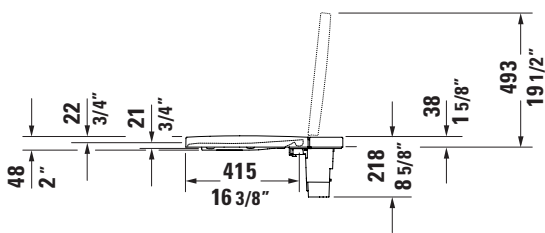
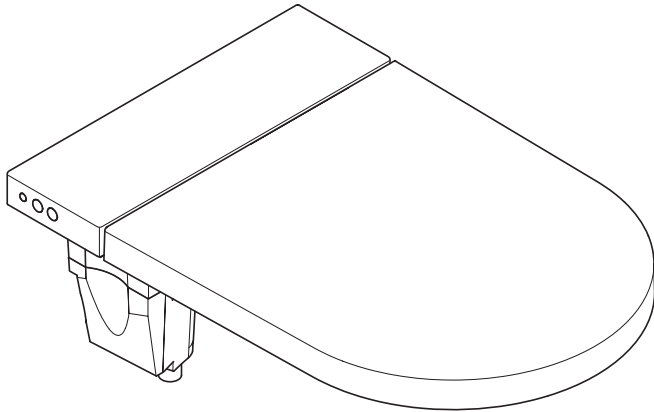
SensoWash® Starck f, shower toilet unit (US)



Technical data

	Net weight kg	Shipping weight kg	Shipping dimensions cm h x d x w	Order no.
Strack f Plus (US)	6.2	12	300 x 612 x 415	612000 01 1 04 1320
Strack f Lite (US)	5.25	10.2	300 x 612 x 415	612001 01 1 04 1310

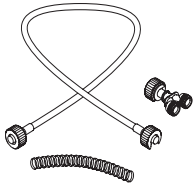
SensoWash® Starck f, shower toilet unit (CN, RE, TW)



Technical data

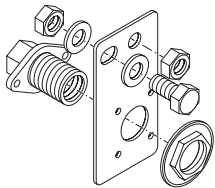
	Net weight kg	Shipping weight kg	Shipping dimensions cm h x d x w	Order no.
Strack f Plus (CN)	5.25	10.2	300 x 612 x 415	612000 01 2 00 2320
Strack f Lite (CN)	5.25	10.2	300 x 612 x 415	612001 01 2 00 2310
Strack f Plus (RE)	6.2	12	300 x 612 x 415	612000 01 2 00 0320
Strack f Lite (RE)	5.25	10.2	300 x 612 x 415	612001 01 2 00 0310
Strack f Plus (TW)	5.25	10.2	300 x 612 x 415	612000 01 1 00 1321
Strack f Lite (TW)	5.25	10.2	300 x 612 x 415	612001 01 1 00 1311

SensoWash® accessory, Connecting kit



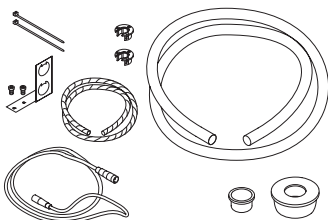
Technical data				
	Net weight kg	Shipping weight kg	Shipping dimensions cm h x d x w	Order no.
	0.45	0.5	22 x 26 x 4	100731 00 00

SensoWash® accessory, Pre-installation set



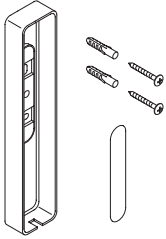
Technical data				
	Net weight kg	Shipping weight kg	Shipping dimensions cm h x d x w	Order no.
	0.4	0.43	14 x 10 x 5	00 5072 00 00

SensoWash® accessory, Interface set



Technical data				
	Net weight kg	Shipping weight kg	Shipping dimensions cm h x d x w	Order no.
	0.19	0.19	28.5 x 30 x 2.3	100729 00 00

SensoWash® accessory, Wall holder



Technical data

	Net weight kg	Shipping weight kg	Shipping dimensions cm h x d x w	Order no.
	0,043	0,143	26 x 2 x 5	100724 00 00

SensoWash® accessory, Mounting set for One-Piece and Two-Piece toilets

Technical data

	Net weight kg	Shipping weight kg	Shipping dimensions cm h x d x w	Order no.
	0.7	0.8	19 x 13 x 19	001416 00 0 0
	0.7	0.8	19 x 13 x 19	001417 00 00

SensoWash® accessory, Noise reduction gasket for wall mounted toilet

Technical data

	Net weight kg	Shipping weight kg	Shipping dimensions cm h x d x w	Order no.
	0.3	0,31	52 x 1 x 38	005064 00 00

DURAVIT AG
P.O. Box 240
Werderstr. 36
78132 Hornberg
Germany
Phone +49 78 33 70 0
Fax +49 78 33 70 289
info@duravit.com
www.duravit.com

