

600 Basin Unit

ROPER RHODES®
BATH



Handle Specification: Chalk White

No. of Handles - 2
Screw Dimensions - 2 x (4mm x30mm)

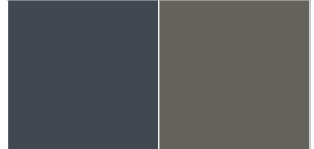
All other finishes:

No. of Handles - 2
Screw Dimensions 2 x (4mm x 29mm)



.VN
VANILLA

.MC
MOCHA



.SG
SLATE GREY

.PW
PEWTER

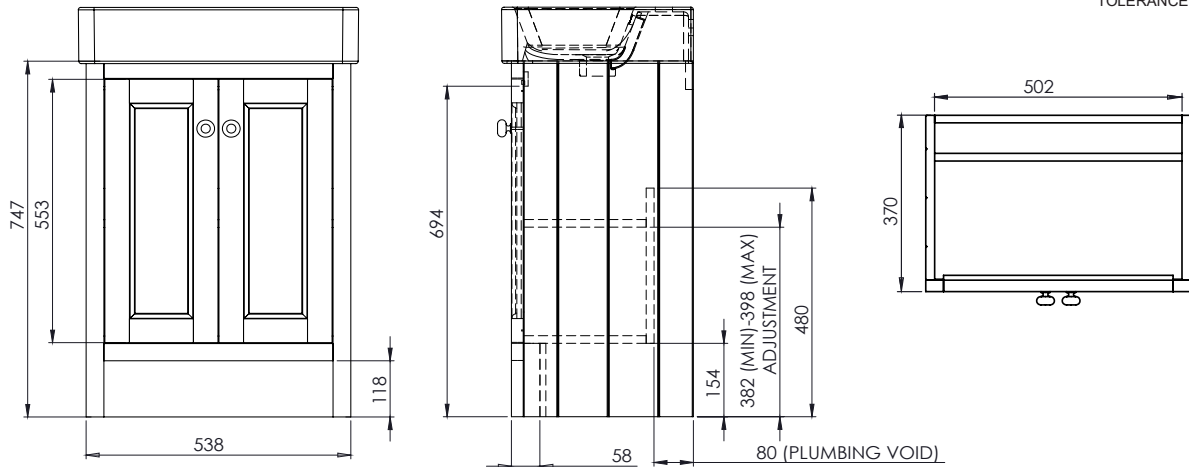


.W
CHALK WHITE

NO.	DESCRIPTION	PRODUCT CODE	FIXINGS INCLUDED?	GROSS WEIGHT	NET WEIGHT
1	HAMPTON 550mm COUNTERTOP UNIT	HAM550B	YES	20.4kg	20.4kg
2	HAMPTON 560mm COUNTERTOP BASIN 1TH	HAM560C	N/A	15.7kg	15.7kg
3	HAMPTON 560mm COUNTERTOP BASIN 2TH	DC14001	N/A	15.7kg	15.7kg

DIMENSIONS

DIAGRAMS NOT TO SCALE
ALL DIMENSIONS IN MM
TOLERANCE OF ± 5MM



FAQ

- Q: How big is the plumbing void at the back of the furniture?
 Q: Are the handles fitted?
 Q: Can I use different handles?
 Q: How deep/wde is the unit with doors open?
 Q: Is the shelf removable?
 Q: What is the shelf capacity?
 Q: How many shelves are there?
 Q: Are the shelves adjustable? What Height?
 Q: What is the interior finish of the unit?
 Q: What is the distance between the two tap holes on 2TH unit?

- A: 80mm
 A: No, hole centres need to be drilled using the pilot holes provided.
 A: Yes, other handle hole centres can be drilled by the fitter.
 A: Approx depth with 90 degree hinge 590mm. Width at 895mm.
 A: Yes, there is one removable shelf.
 A: Shelf max depth: 310mm
 A: There are two shelves within the unit.
 A: Yes, 382mm (min) to 398mm (max) from floor.
 A: The unit interior is the same finish as the exterior.
 A: The distance is 200mm between both tap holes.