

Sales Code: A3211

Description: Traditional Slider Rail Kit



Product Dimensions

Length (mm):	
Width (mm):	70
Height (mm):	750
Depth (mm):	150
Nett Weight (kg):	1.47

Packaging Dimensions

Length (mm):	785
Width (mm):	125
Height (mm):	
Gross Weight (kg):	1.97

Packaging Data

Box Colour:	White Cardboard Box
Box Qty:	1
Label Size:	100 x 50
Label Colour:	White Label
Label Qty:	2

Outer Box Dimensions (If Applicable)

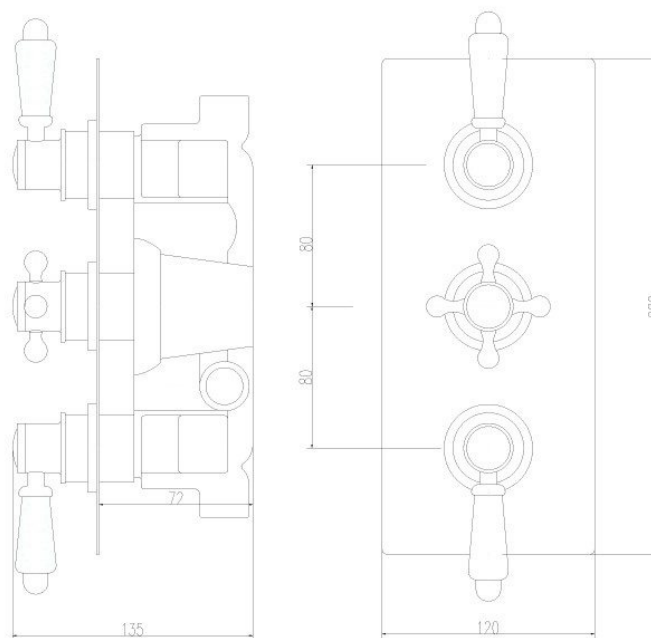
Length (mm):	
Width (mm):	400
Height (mm):	340
Depth (mm):	800
Gross Weight (kg):	24
Barcode:	5055146101079

Product Details

Country of Origin:	China
Fitting Instruction:	No
Product Material:	Brass/ABS
Mount Type:	Wall, Surface
Outlet Elbow Supplied:	Yes
Easy Clean:	No
Head Included:	No
Handset Included:	Yes
Body Jets Included:	No
No of Body Jets:	Not Applicable
Operating Pressure (bar):	0.1
Valve/Cartridge Type:	Not Applicable
Flow Rates (L/min):	0.1 bar: N/A 0.5 bar: N/A 1 bar: N/A 2 bar: N/A 3 bar: N/A
TMV2 Approved:	No Approval No: N/A
TMV3 Approved:	No Approval No: N/A
WRAS Approved:	No Approval No: N/A
Head Function:	Not Applicable
Handset Function:	Single Setting
Body Jet Info:	Not Applicable
Pipe Size:	15 mm (1/2" Bsp)
Pipe Centres:	N/A
Colour/Finish:	Chrome
Hose Included:	Yes
No. of Outlets:	1

Sales Code: ITY315

Description: Traditional Triple Conc Thermo Valve



Product Dimensions

Length (mm):	
Width (mm):	120
Height (mm):	280
Depth (mm):	135
Nett Weight (kg):	3.54

Packaging Dimensions

Length (mm):	320
Width (mm):	250
Height (mm):	
Gross Weight (kg):	3.54

Packaging Data

Box Colour:	White Cardboard Box
Box Qty:	1
Label Size:	100 x 50
Label Colour:	White Label
Label Qty:	2

Outer Box Dimensions (If Applicable)

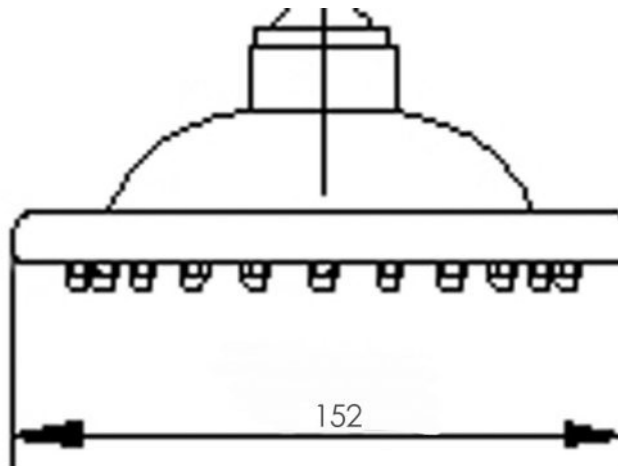
Length (mm):	
Width (mm):	520
Height (mm):	415
Depth (mm):	265
Gross Weight (kg):	21
Barcode:	5055146193975

Product Details

Country of Origin:	United Kingdom
Fitting Instruction:	No
Product Material:	Brass/ABS
Mount Type:	Wall, Recessed
Outlet Elbow Supplied:	No
Easy Clean:	Not Applicable
Head Included:	No
Handset Included:	No
Body Jets Included:	Not Applicable
No of Body Jets:	Not Applicable
Operating Pressure (bar):	0.1
Valve/Cartridge Type:	1/4 Turn Ceramic Disc
Flow Rates (L/min):	0.1 bar: 5.5 0.5 bar: 14 1 bar: 20 2 bar: 29 3 bar: 44
TMV2 Approved:	Yes Approval No: Bc 1875 00817
TMV3 Approved:	Yes Approval No: Nsf 1938 1217
WRAS Approved:	Yes Approval No: 1703023
Head Function:	Not Applicable
Handset Function:	Not Applicable
Body Jet Info:	Not Applicable
Pipe Size:	15 mm (1/2" Bsp)
Pipe Centres:	N/A
Colour/Finish:	Chrome
Hose Included:	Not Applicable
No. of Outlets:	2

Sales Code: A304

Description: 6" Fixed Head



Product Dimensions

Length (mm):	
Width (mm):	152
Height (mm):	185
Depth (mm):	421
Nett Weight (kg):	0.79

Packaging Dimensions

Length (mm):	175
Width (mm):	165
Height (mm):	
Gross Weight (kg):	0.79

Packaging Data

Box Colour:	White Cardboard Box
Box Qty:	1
Label Size:	100 x 50
Label Colour:	White Label
Label Qty:	2

Outer Box Dimensions (If Applicable)

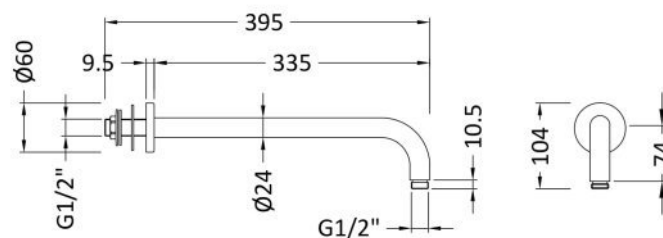
Length (mm):	
Width (mm):	370
Height (mm):	440
Depth (mm):	380
Gross Weight (kg):	13
Barcode:	5055146123828

Product Details

Country of Origin:	China
Fitting Instruction:	No
Product Material:	Brass
Mount Type:	Wall, Surface
Outlet Elbow Supplied:	No
Easy Clean:	Yes
Head Included:	Yes
Handset Included:	No
Body Jets Included:	Not Applicable
No of Body Jets:	Not Applicable
Operating Pressure (bar):	0.5
Valve/Cartridge Type:	Not Applicable
Flow Rates (L/min):	0.1 bar: N/A 0.5 bar: N/A 1 bar: N/A 2 bar: N/A 3 bar: N/A
TMV2 Approved:	No Approval No: N/A
TMV3 Approved:	No Approval No: N/A
WRAS Approved:	No Approval No: N/A
Head Function:	Single
Handset Function:	Not Applicable
Body Jet Info:	Not Applicable
Pipe Size:	Not Applicable
Pipe Centres:	N/A
Colour/Finish:	Chrome
Hose Included:	Not Applicable
No. of Outlets:	N/A

Sales Code: ARM01

Description: W/H Shower Arm



Product Dimensions

Length (mm):	
Width (mm):	62
Height (mm):	108
Depth (mm):	357
Nett Weight (kg):	0.32

Packaging Dimensions

Length (mm):	102
Width (mm):	38
Height (mm):	
Gross Weight (kg):	0.5

Packaging Data

Box Colour:	White Cardboard Box
Box Qty:	1
Label Size:	100 x 50
Label Colour:	White Label
Label Qty:	2

Outer Box Dimensions (If Applicable)

Length (mm):	
Width (mm):	430
Height (mm):	365
Depth (mm):	430
Gross Weight (kg):	19
Barcode:	5055146185604

Product Details

Country of Origin:	China
Fitting Instruction:	No
Product Material:	Brass
Mount Type:	Surface, Wall
Outlet Elbow Supplied:	No
Easy Clean:	Not Applicable
Head Included:	No
Handset Included:	Not Applicable
Body Jets Included:	No
No of Body Jets:	Not Applicable
Operating Pressure (bar):	
Valve/Cartridge Type:	Not Applicable
Flow Rates (L/min):	0.1 bar: N/A 0.5 bar: N/A 1 bar: N/A 2 bar: N/A 3 bar: N/A
TMV2 Approved:	No Approval No: N/A
TMV3 Approved:	No Approval No: N/A
WRAS Approved:	No Approval No: N/A
Head Function:	Not Applicable
Handset Function:	Not Applicable
Body Jet Info:	Not Applicable
Pipe Size:	Not Applicable
Pipe Centres:	Not Applicable
Colour/Finish:	Chrome
Hose Included:	
No. of Outlets:	1