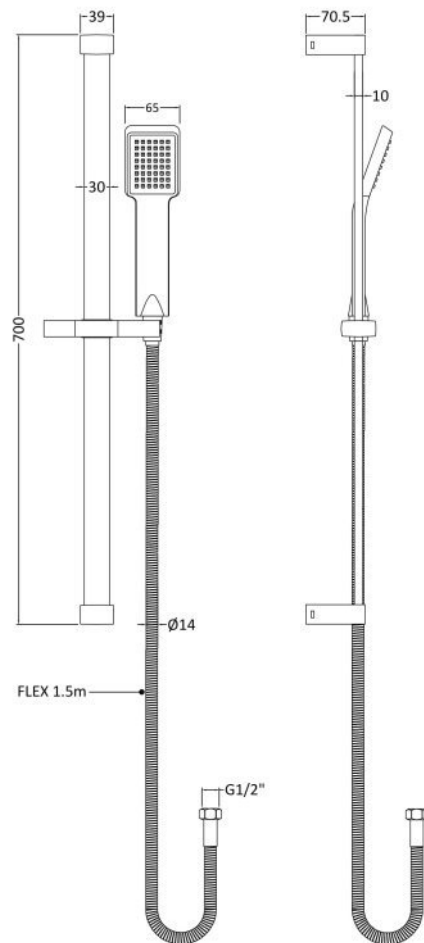


Sales Code: STY059

Description: Rectangular Slide Rail Kit



Product Dimensions

| | |
|-------------------|-----|
| Length (mm): | |
| Width (mm): | 660 |
| Height (mm): | 660 |
| Depth (mm): | 70 |
| Nett Weight (kg): | 0.9 |

Packaging Dimensions

| | |
|--------------------|-----|
| Length (mm): | 668 |
| Width (mm): | 153 |
| Height (mm): | |
| Gross Weight (kg): | 0.9 |

Packaging Data

| | |
|---------------|---------------------|
| Box Colour: | White Cardboard Box |
| Box Qty: | 1 |
| Label Size: | 100 x 50 |
| Label Colour: | White Label |
| Label Qty: | 2 |

Outer Box Dimensions (If Applicable)

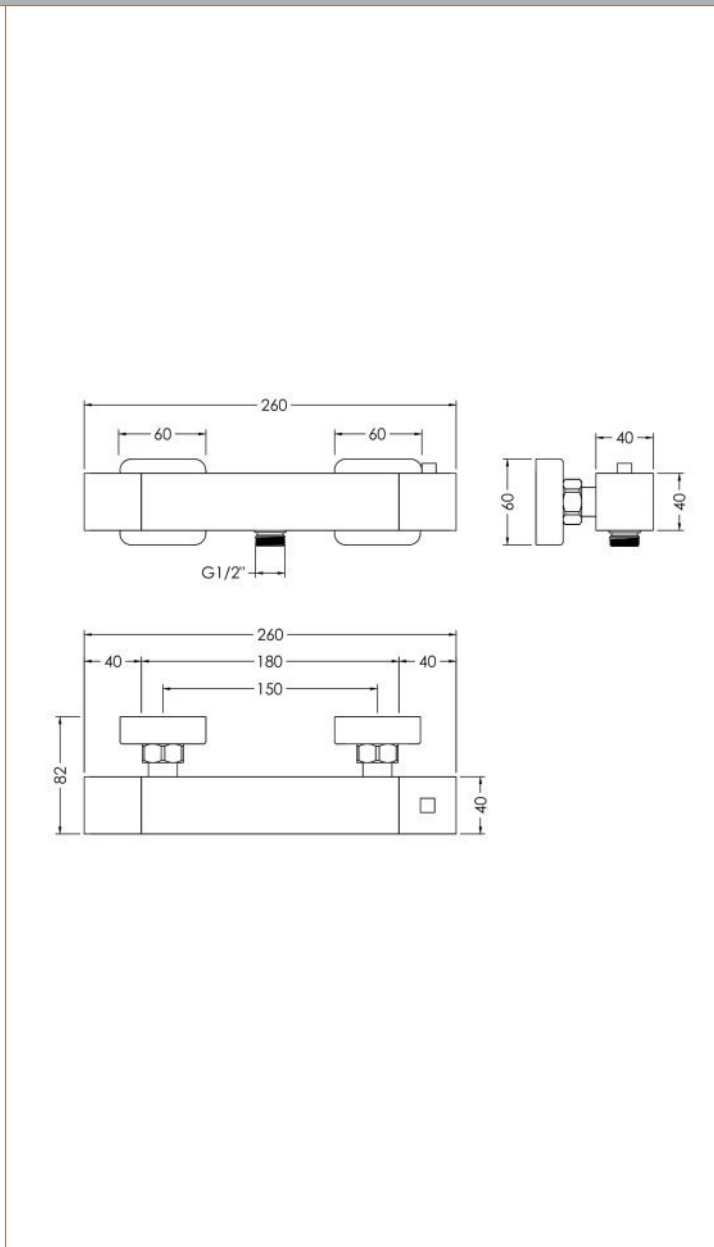
| | |
|--------------------|---------------|
| Length (mm): | |
| Width (mm): | |
| Height (mm): | |
| Depth (mm): | |
| Gross Weight (kg): | 11 |
| Barcode: | 5055369015870 |

Product Details

| | |
|---------------------------|--|
| Country of Origin: | China |
| Fitting Instruction: | No |
| Product Material: | Brass/ABS |
| Mount Type: | Surface, Wall |
| Outlet Elbow Supplied: | No |
| Easy Clean: | Yes |
| Head Included: | No |
| Handset Included: | Yes |
| Body Jets Included: | No |
| No of Body Jets: | Not Applicable |
| Operating Pressure (bar): | 0.1 |
| Valve/Cartridge Type: | Not Applicable |
| Flow Rates (L/min): | 0.1 bar: N/A 0.5 bar: N/A 1 bar: N/A 2 bar: N/A 3 bar: N/A |
| TMV2 Approved: | No Approval No: N/A |
| TMV3 Approved: | No Approval No: N/A |
| WRAS Approved: | No Approval No: N/A |
| Head Function: | Not Applicable |
| Handset Function: | Single Setting |
| Body Jet Info: | Not Applicable |
| Pipe Size: | 15 mm (1/2" Bsp) |
| Pipe Centres: | N/A |
| Colour/Finish: | Chrome |
| Hose Included: | Yes |
| No. of Outlets: | 1 |

Sales Code: SAN503

Description: Sanford Thermostatic Bar Valve



| Product Dimensions | |
|--------------------------------------|---|
| Length (mm): | |
| Width (mm): | 275 |
| Height (mm): | 55 |
| Depth (mm): | 72 |
| Nett Weight (kg): | 1.75 |
| Packaging Dimensions | |
| Length (mm): | 82 |
| Width (mm): | 355 |
| Height (mm): | |
| Gross Weight (kg): | 1.75 |
| Packaging Data | |
| Box Colour: | White Cardboard Box |
| Box Qty: | 1 |
| Label Size: | 100 x 50 |
| Label Colour: | White Label |
| Label Qty: | 1 |
| Outer Box Dimensions (If Applicable) | |
| Length (mm): | |
| Width (mm): | 420 |
| Height (mm): | 440 |
| Depth (mm): | 360 |
| Gross Weight (kg): | |
| Barcode: | 5056211898085 |
| Product Details | |
| Country of Origin: | China |
| Fitting Instruction: | No |
| Product Material: | Brass/ABS |
| Mount Type: | Wall |
| Outlet Elbow Supplied: | Not Applicable |
| Easy Clean: | Not Applicable |
| Head Included: | No |
| Handset Included: | No |
| Body Jets Included: | No |
| No of Body Jets: | Not Applicable |
| Operating Pressure (bar): | 0.2 |
| Valve/Cartridge Type: | 1/4 Turn Ceramic Disc |
| Flow Rates (L/min): | 0.1 bar: 3.3 0.5 bar: 7.9 1 bar: 11.3 2 bar: 16.2 3 bar: 19.8 |
| TMV2 Approved: | No Approval No: N/A |
| TMV3 Approved: | No Approval No: N/A |
| WRAS Approved: | No Approval No: N/A |
| Head Function: | Not Applicable |
| Handset Function: | Not Applicable |
| Body Jet Info: | Not Applicable |
| Pipe Size: | 15 mm (1/2" Bsp) |
| Pipe Centres: | 150 |
| Colour/Finish: | Chrome |
| Hose Included: | No |
| No. of Outlets: | 1 |