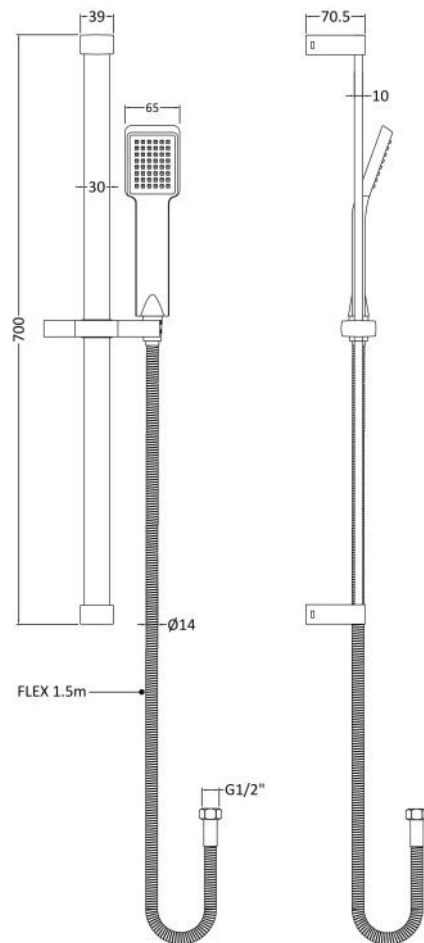


Sales Code: STY059

Description: Rectangular Slide Rail Kit



### Product Dimensions

Length (mm):	
Width (mm):	660
Height (mm):	660
Depth (mm):	70
Nett Weight (kg):	0.9

### Packaging Dimensions

Length (mm):	668
Width (mm):	153
Height (mm):	
Gross Weight (kg):	0.9

### Packaging Data

Box Colour:	White Cardboard Box
Box Qty:	1
Label Size:	100 x 50
Label Colour:	White Label
Label Qty:	2

### Outer Box Dimensions (If Applicable)

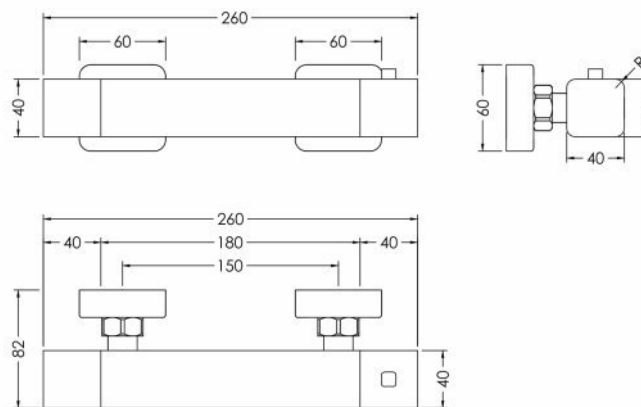
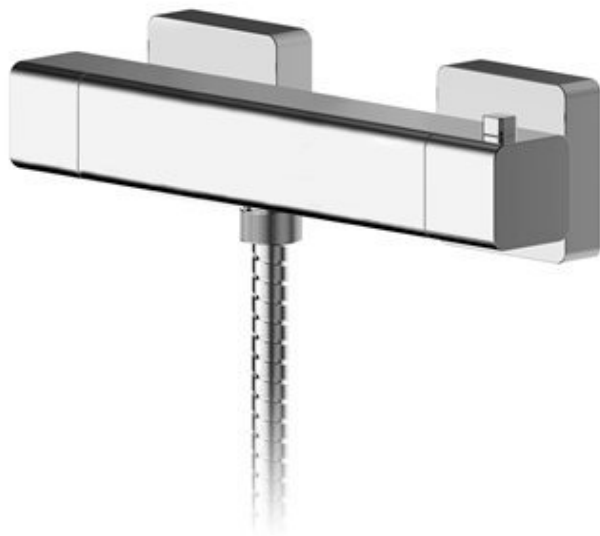
Length (mm):	
Width (mm):	
Height (mm):	
Depth (mm):	
Gross Weight (kg):	11
Barcode:	5055369015870

### Product Details

Country of Origin:	China
Fitting Instruction:	No
Product Material:	Brass/ABS
Mount Type:	Surface, Wall
Outlet Elbow Supplied:	No
Easy Clean:	Yes
Head Included:	No
Handset Included:	Yes
Body Jets Included:	No
No of Body Jets:	Not Applicable
Operating Pressure (bar):	0.1
Valve/Cartridge Type:	Not Applicable
Flow Rates (L/min):	0.1 bar: N/A 0.5 bar: N/A 1 bar: N/A 2 bar: N/A 3 bar: N/A
TMV2 Approved:	No Approval No: N/A
TMV3 Approved:	No Approval No: N/A
WRAS Approved:	No Approval No: N/A
Head Function:	Not Applicable
Handset Function:	Single Setting
Body Jet Info:	Not Applicable
Pipe Size:	15 mm (1/2" Bsp)
Pipe Centres:	N/A
Colour/Finish:	Chrome
Hose Included:	Yes
No. of Outlets:	1

Sales Code: WIN503

Description: Windon Thermostatic Bar Valve



### Product Dimensions

Length (mm):	
Width (mm):	261
Height (mm):	55
Depth (mm):	65
Nett Weight (kg):	1.71

### Packaging Dimensions

Length (mm):	82
Width (mm):	355
Height (mm):	
Gross Weight (kg):	1.71

### Packaging Data

Box Colour:	White Cardboard Box
Box Qty:	1
Label Size:	100 x 50
Label Colour:	White Label
Label Qty:	1

### Outer Box Dimensions (If Applicable)

Length (mm):	
Width (mm):	420
Height (mm):	440
Depth (mm):	360
Gross Weight (kg):	
Barcode:	5056211898375

### Product Details

Country of Origin:	China
Fitting Instruction:	No
Product Material:	Brass/ABS
Mount Type:	Wall
Outlet Elbow Supplied:	Not Applicable
Easy Clean:	Not Applicable
Head Included:	No
Handset Included:	No
Body Jets Included:	No
No of Body Jets:	Not Applicable
Operating Pressure (bar):	0.2
Valve/Cartridge Type:	1/4 Turn Ceramic Disc
Flow Rates (L/min):	0.1 bar: 3.3   0.5 bar: 7.9   1 bar: 11.3   2 bar: 16.2   3 bar: 19.8
TMV2 Approved:	No   Approval No: N/A
TMV3 Approved:	No   Approval No: N/A
WRAS Approved:	No   Approval No: N/A
Head Function:	Not Applicable
Handset Function:	Not Applicable
Body Jet Info:	Not Applicable
Pipe Size:	15 mm (1/2" Bsp)
Pipe Centres:	150
Colour/Finish:	Chrome
Hose Included:	No
No. of Outlets:	1