

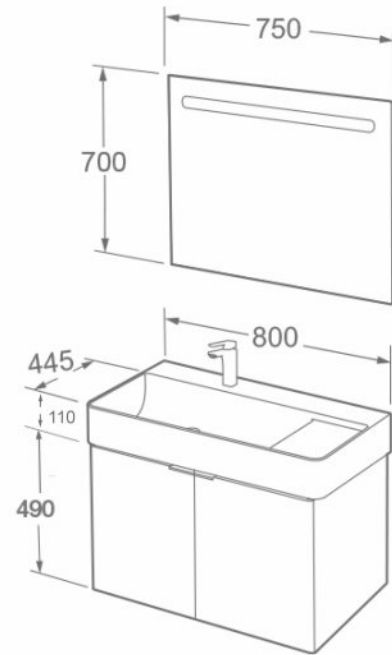
TECHNICAL DATA SHEET

BLADE 800x460MM TWO WALL MOUNTED CABINET MATT BLUE

Category: Furniture
Guarantee: 10 year cabinet guarantee
Type: Blade two door furniture

Weight: 28.5kg

Code: FZHM2785-800-Q0003
Range: Blade



Dimensions are in millimetres except thread sizes which are BSP imperial.

Features

- Large storage capacity Soft Closing Doors
- Short Projection space saving design
- Fine Clay Slim Edge Countertop Basin with storage area

Available in
three colours



Matt White



Matt Blue



Matt Grey

Notes

Our guarantee is subject to the product having been installed, used and maintained in accordance with our instructions.

Imex furniture is guaranteed for 10 years from date of purchase.

All hinges, which are subject to normal wear and tear, are covered for 36 months from proof of purchase date. Our guarantee applies to the original purchaser and is nontransferable. Our guarantee is only applicable in the UK and ROI. This does not affect your statutory rights.

We reserve the right to change product specifications without prior notification.