

Technical Data Sheet

ROPER RHODES®

Storm Mini Basin Mixer - T226002

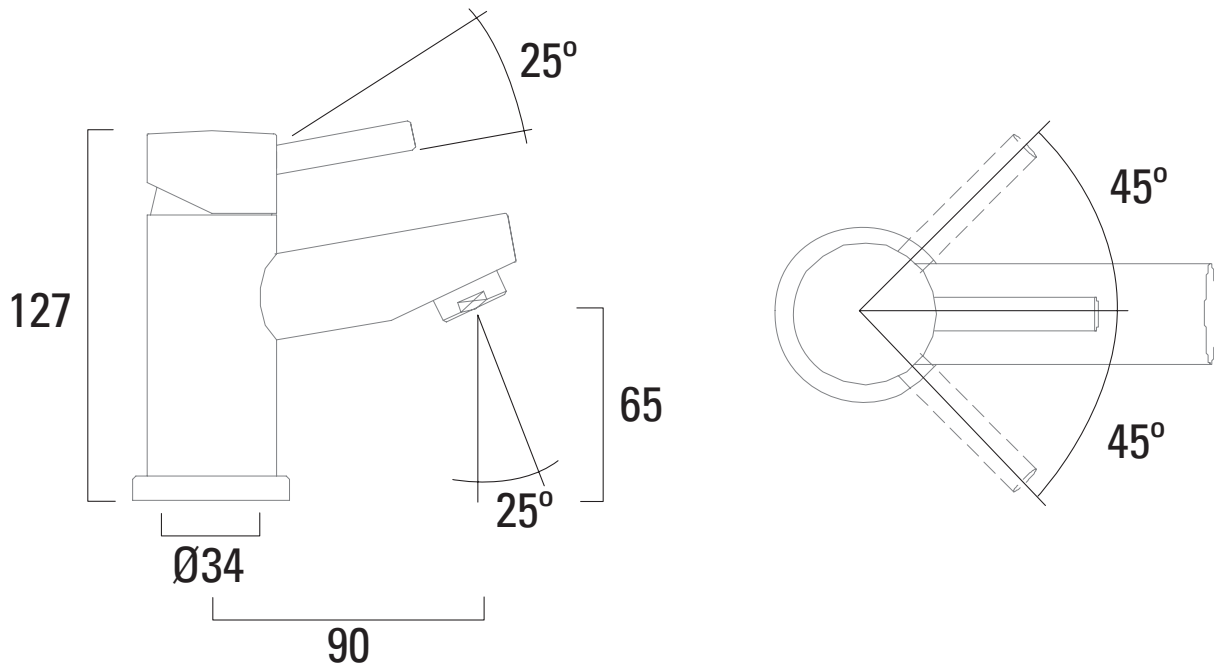
No.	Description	Code	Fixings Included
1	Storm Mini Basin Mixer	T226002	YES



Min Pressure:	0.1bar
0.1bar	6.24 litres/ min
0.2bar	7.5 litres / min
0.3bar	9 litres / min
0.4bar	9.9 litres / min
0.5bar	11 litres / min
1bar	15.7 litres / min

Dimensions - T226002

Diagrams not to scale. All dimensions in mm (tolerance of +/-5mm)



*Dimensions are subject to change, customers are advised to measure actual product before commencing installation.

FAQs

What is the size of the tap tail connection? The tap tails have a standard 1/2" BSP fixing.

What bore is the tap tail? The tails have a 10mm internal bore.

What length are the tap tails? The tails are 300mm in length.

Does the tap come fitted with an aerator? Yes, the aerator comes pre-installed but can be replaced.