

# TECHNICAL DATA SHEET

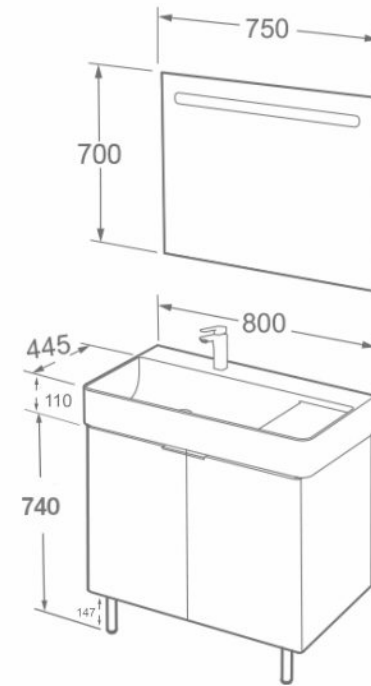
## BLADE 800x460MM TWO DOOR FLOOR STANDING CABINET MATT WHITE

Category: Furniture  
Guarantee: 10 year cabinet guarantee  
Type: Blade two door furniture

Weight: 31kg

Code: FZFM2785-800-Q0002

Range: Blade



Dimensions are in millimetres except thread sizes which are BSP imperial.

### Features

- Large storage capacity Soft Closing Doors
- Short Projection space saving design
- Fine Clay Slim Edge Countertop Basin with storage area

Available in  
three colours



Matt White



Matt Blue



Matt Grey

### Notes

Our guarantee is subject to the product having been installed, used and maintained in accordance with our instructions.

Imex furniture is guaranteed for 10 years from date of purchase.

All hinges, which are subject to normal wear and tear, are covered for 36 months from proof of purchase date. Our guarantee applies to the original purchaser and is nontransferable. Our guarantee is only applicable in the UK and ROI. This does not affect your statutory rights.

We reserve the right to change product specifications without prior notification.