



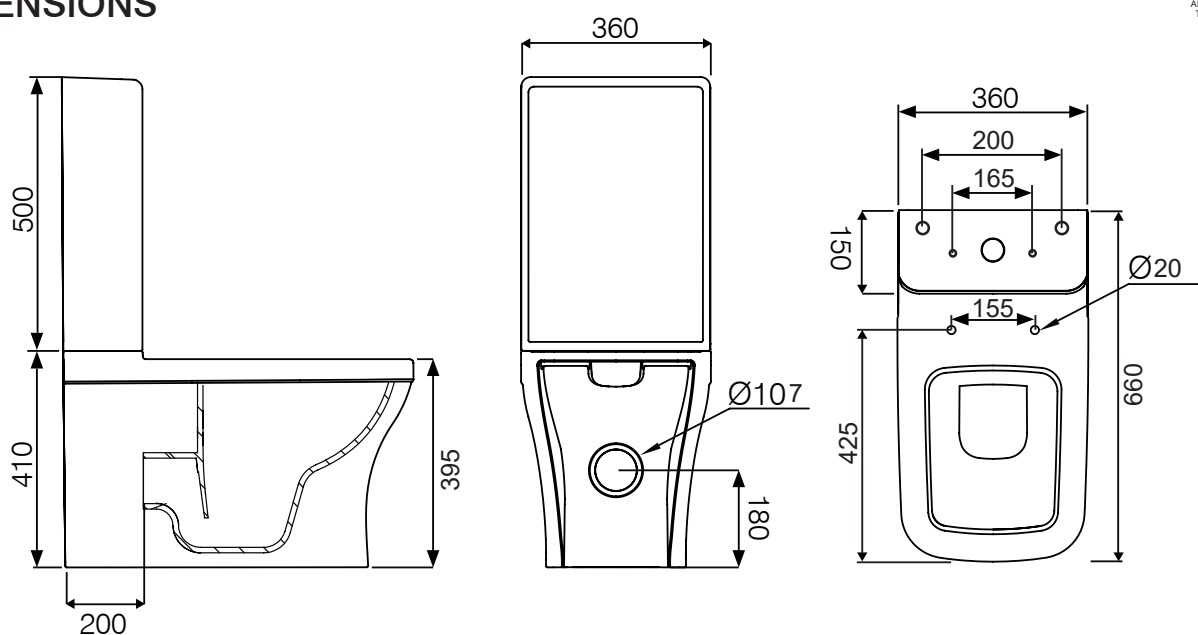
Close Coupled Fully Enclosed WC, Cistern & Seat **ROPER RHODES®** BATH



NO.	DESCRIPTION	PRODUCT CODE	FIXINGS INCLUDED?	GROSS WEIGHT	NET WEIGHT
1	COVER CLOSE COUPLED PAN	CCCPAN	YES	39.8kg	39.8kg
2	COVER SOFT CLOSE SEAT	CSCTS	YES	3kg	3kg
3	COVER CERAMIC SHROUD AND CISTERN	CCCTNK	YES	12.55kg	12.5kg

DIMENSIONS

DIAGRAMS NOT TO SCALE
ALL DIMENSIONS IN MM
TOLERANCE OF ± 5MM



FAQ

Where is the water inlet located? **The water inlet is located on the bottom left hand side of the cistern and is a 1/2" BSP inlet.**

Are the cistern fittings WRAS approved? **Yes, the cistern fittings are Fluidmaster and WRAS approved.**

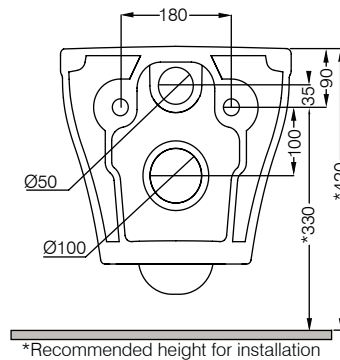
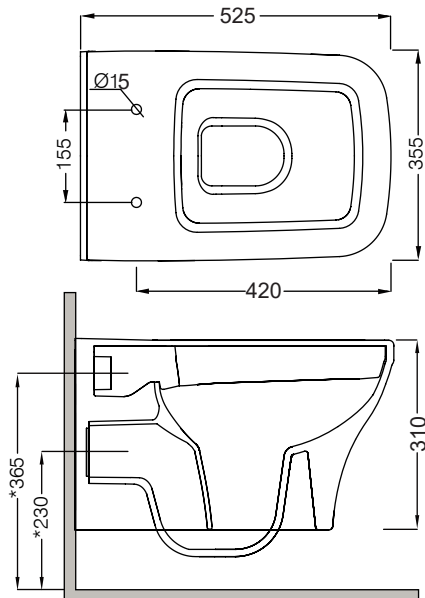
How do I remove the cistern for replacement parts? **The cistern shroud can be lifted up off the brackets allowing access to the plastic cistern tank.**



NO.	DESCRIPTION	PRODUCT CODE	FIXINGS INCLUDED?	GROSS WEIGHT	NET WEIGHT
1	COVER WALL HUNG PAN	CWHPAN	YES	29.8kg	29.8kg
2	COVER SOFT CLOSE SEAT	CSCTS	YES	3kg	3kg

DIMENSIONS

DIAGRAMS NOT TO SCALE
ALL DIMENSIONS IN MM
TOLERANCE OF ± 5MM



FAQ

Do any other seats fit? **No, only use the specific Cover Soft Close Seat (CSCTS).**

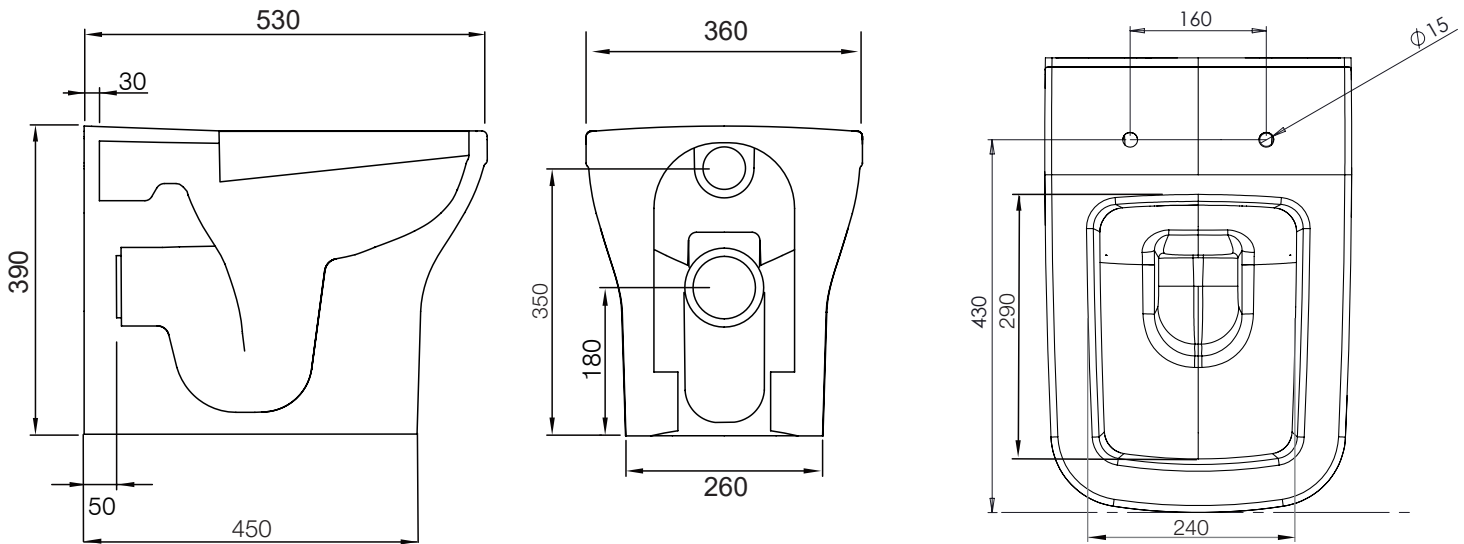
How does the pan fit to the wall hung frame? **The pan is supplied with concealed fixings which are secured through access holes in the side of the pan.**



NO.	DESCRIPTION	PRODUCT CODE	FIXINGS INCLUDED?	GROSS WEIGHT	NET WEIGHT
1	COVER BACK TO WALL PAN	CBWPAN	YES	33.9kg	33.9kg
2	COVER SOFT CLOSE SEAT	CSCTS	YES	3kg	3kg

DIMENSIONS

DIAGRAMS NOT TO SCALE
ALL DIMENSIONS IN MM
TOLERANCE OF ± 5MM



FAQ

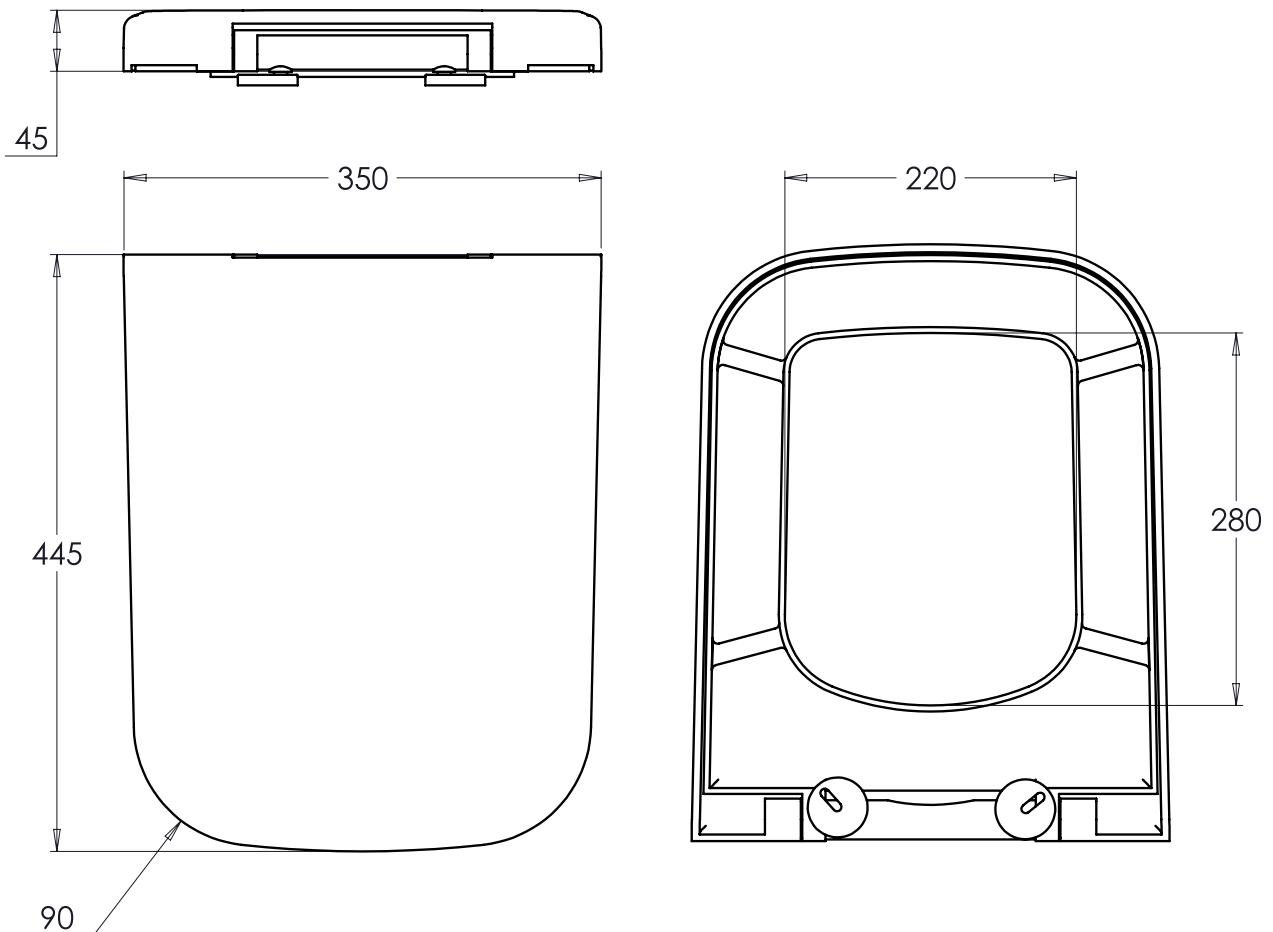
Do any other seats fit? **No, only use the specific Cover Soft Close Seat (CSCTS).**



NO.	DESCRIPTION	PRODUCT CODE	FIXINGS INCLUDED?	GROSS WEIGHT	NET WEIGHT
1	COVER SOFT CLOSE SEAT	CSCTS	YES	3kg	3kg

DIMENSIONS

DIAGRAMS NOT TO SCALE
ALL DIMENSIONS IN MM
TOLERANCE OF ± 5MM

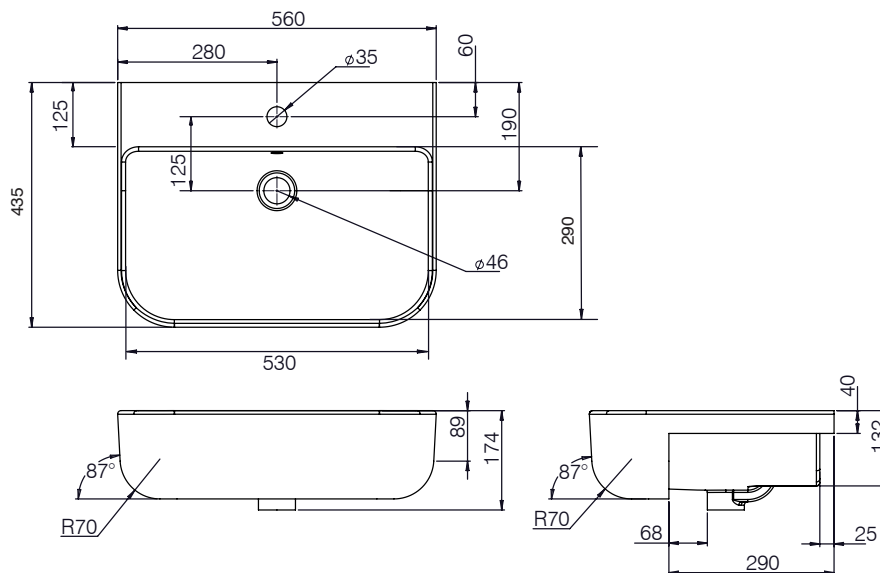




NO.	DESCRIPTION	PRODUCT CODE	FIXINGS INCLUDED?	GROSS WEIGHT	NET WEIGHT
1	COVER SEMI-COUNTERTOP BASIN	C3SCBAS	N/A	14.95kg	14.95kg

DIMENSIONS

DIAGRAMS NOT TO SCALE
ALL DIMENSIONS IN MM
TOLERANCE OF ± 5MM



FAQ

Is the basin glazed on the back and underside? **Yes.**
Is the basin supplied with a fitting template? **Yes.**

Dimension	Measurement
Internal Depth	80mm
Waste Centre to Back of Basin	60mm
Basin Belly Depth	140mm

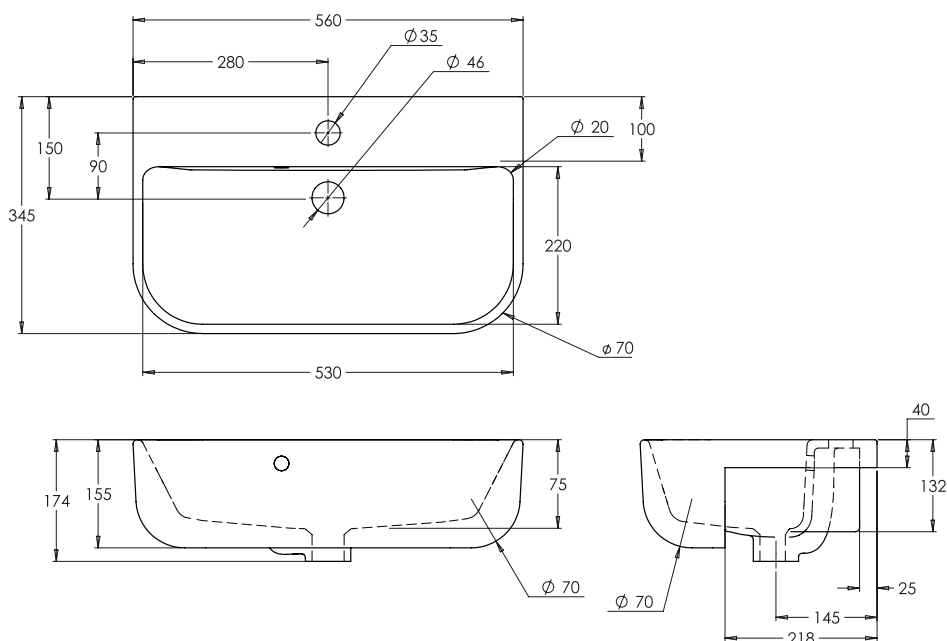
Slim Semi-countertop Basin

ROPER RHODES®
BATH



NO.	DESCRIPTION	PRODUCT CODE	FIXINGS INCLUDED?	GROSS WEIGHT	NET WEIGHT
1	COVER SLIM SEMI-COUNTERTOP BASIN	C2SCBAS	N/A	12.3kg	12.3kg

DIMENSIONS



FAQ

Is the basin glazed on the back and underside? **Yes.**
Is the basin supplied with a fitting template? **Yes.**