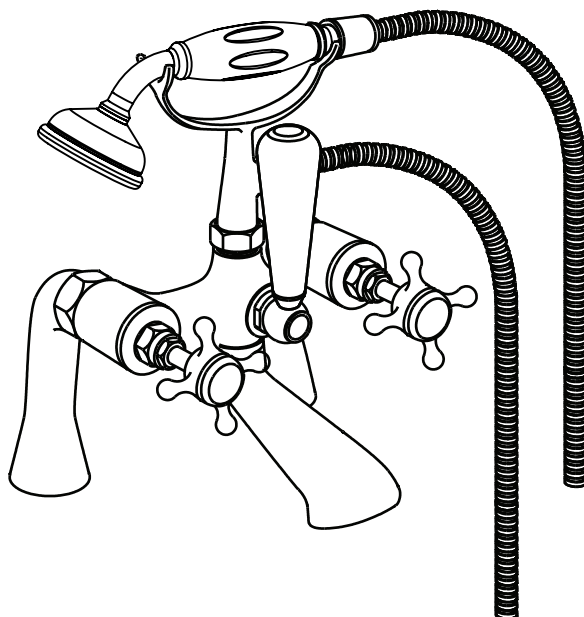


# Burlington®

## INSTALLATION INSTRUCTIONS

### Stafford quarter turn bath deck mounted shower mixer (including the handles) - STA14-QT



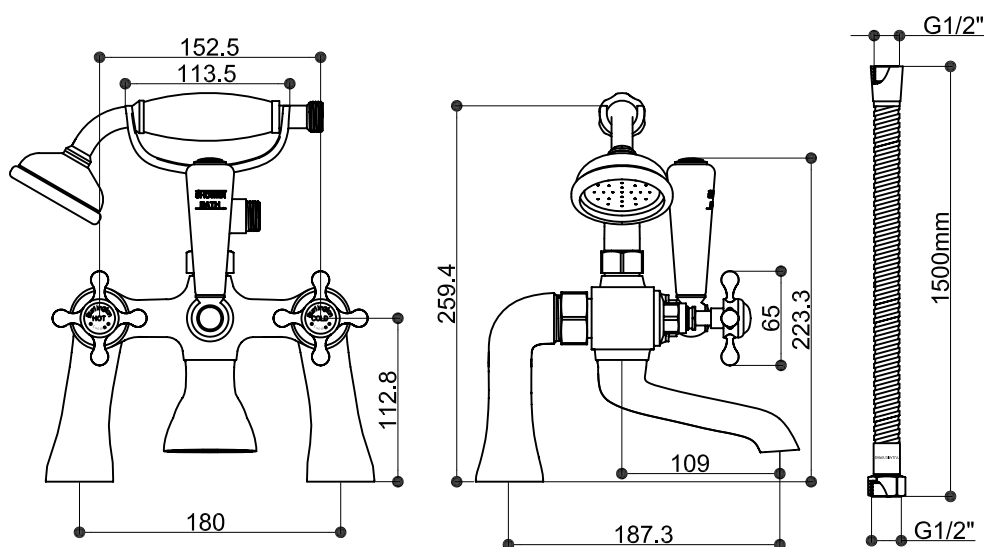
#### Important

- We recommend that this product is installed by a qualified professional contractor. Such as a plumber who is certified by NVQ (National Vocational Qualification) or SNVQ (Scottish National Vocational Qualification) Level 3.
- Please check this product immediately to ensure that it has not been damaged and is complete. Before installation, please make sure this product is the correct model and you have all the parts required for installation and using.
- All the taps in Burlington Range should be supplied with hot and cold water at balanced pressure. If not, then the mixing function will not work correctly. It is necessary to fit non-return valves on both hot and cold feeds pipe. These are not supplied.
- Please flush the water system to ensure that no metal swarf, solder, and other impurities can enter the taps.
- Turn off water supply before commencing work, this should be done at the isolating valves of inlet feeds if fitted or main stopcock.
- Please read these instructions carefully and keep it for future reference.

#### Working pressure

The tap is suitable for both high and low pressure installation. To ensure that the tap works well under low water pressure, the cold water storage tank must be at least 2 meters above the installed position. The maximum static pressure is 10 bar, and operating water pressure is 5 bar. Where the operating water pressure above 5 bar, then a pressure reducing valve must be fitted.

#### Dimension

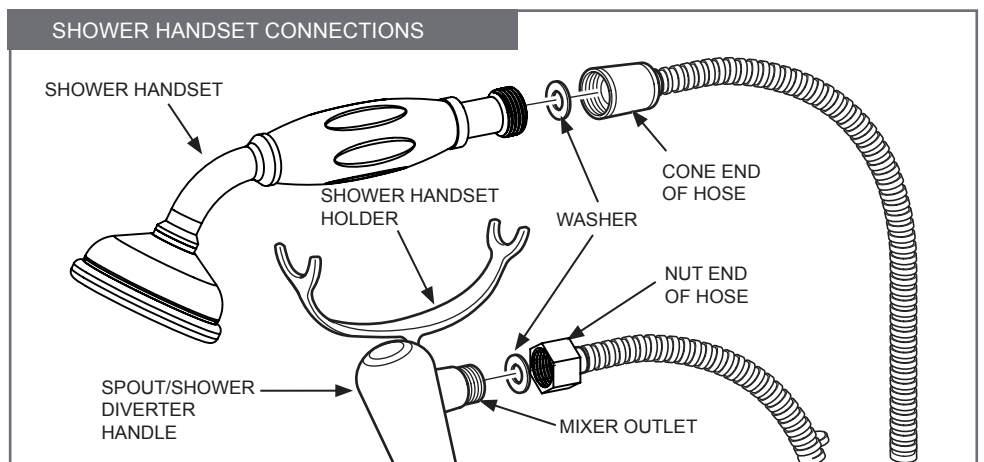
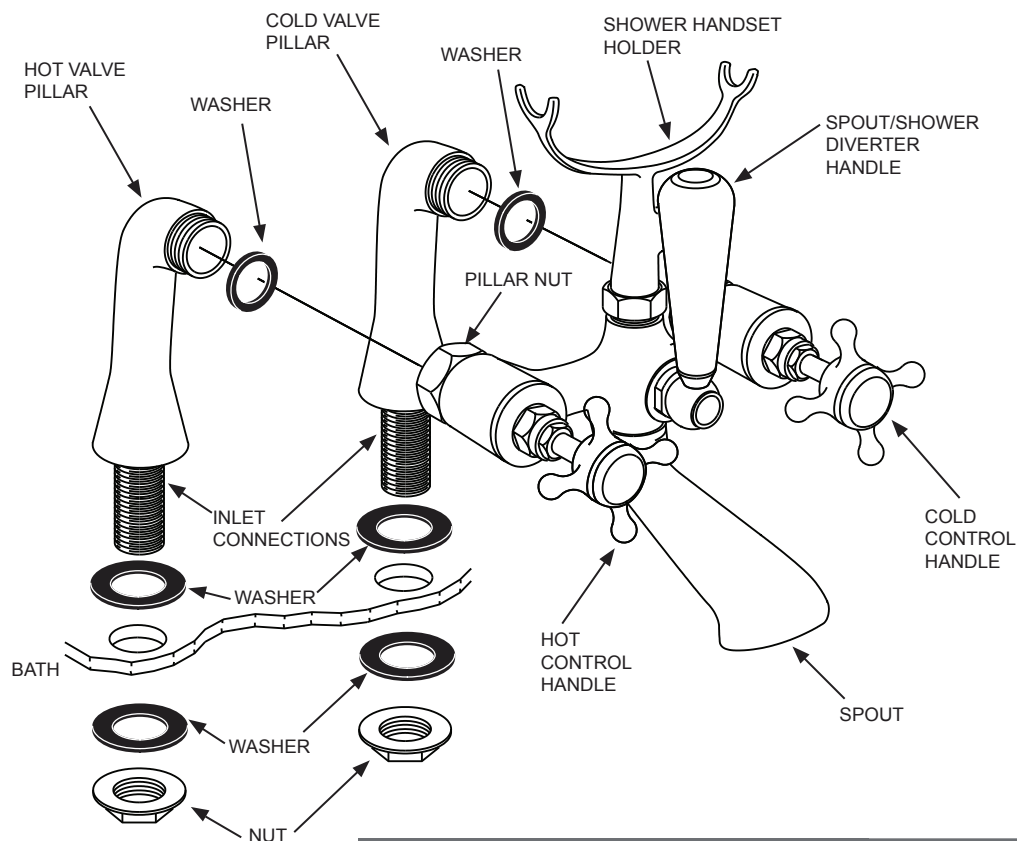


#### Maintenance

We do NOT recommend you use any household cleaners to clean the product. Because these cleaners change substance or formula too frequently. The product should be always cleaned only with soapy water and rinsed with clean water and dried with a soft cloth.

## Installation

### BATH MIXER INSTALLATION



#### Bath shower mixer

- Loosely fit each pillar to the mixer using the rubber washers and tighten by hand.  
The pillars are handed and should point in at the top (see dimensions page).
- Remove the fixing nuts and rubber washers from the tap tails (inlet connections). Insert the tails into the holes on the bath top.
- From beneath slide on the rubber washer followed by the nut and tighten by hand. Check that the tap is correctly positioned to the rear and tighten all four fixing nuts. The tap needs to be fixed firmly, but do not over tighten as damage may be caused to the bath.
- Connect the water supply to the tap with hot water on the left and cold on the right. (when viewed from the front).

#### Bath shower handset

- Insert a washer into the cone end of the hose and screw to the handset.
- Insert the second washer into the nut end of the hose and attach it to the mixer outlet.

#### Operation.

- Turn the diverter handle to the left for shower and to the right for spout.

## Attention

Having first checked all new connections, turn on the mains stop cock, close all taps except the new mixer and as the system starts to refill check for leaks. Once you have satisfied yourself that there are no leaks, switch on the water heating.