

TAP052PR- PURE BATH FILLER



ILLUSTRATION: PURE BATH FILLER

BAR CODE: 5060168228666

COLOUR: CHROME PLATE

WEIGHT:

NET 2.65 kg

GROSS 2.93 kg

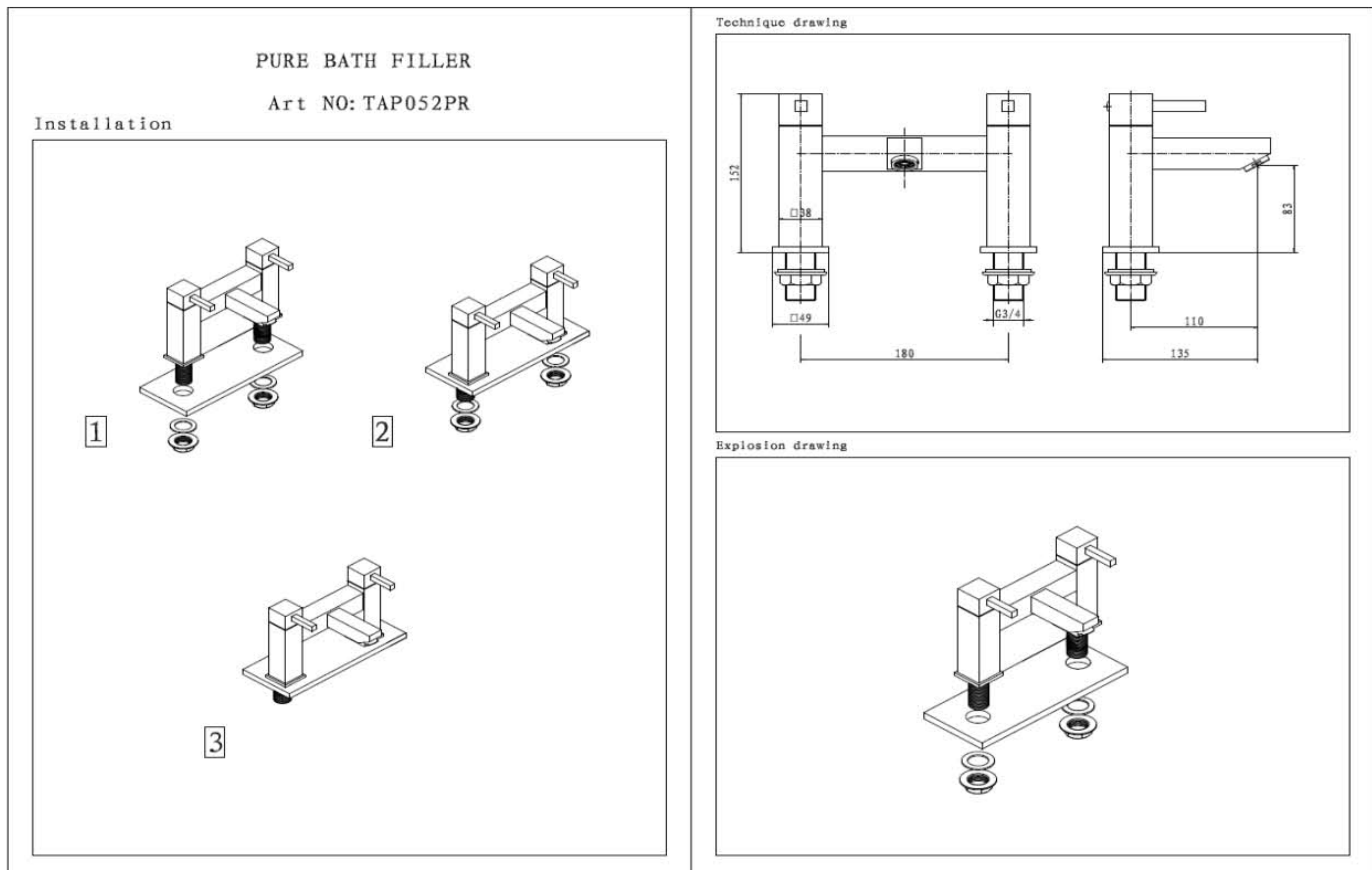
STANDARDS: BS EN 200

NOTES:

3/4" BSP CONNECTIONS
CERAMIC DISC TECHNOLOGY

Flow Rate: L.P

0.2bar	0.5bar	1bar	2bar	3bar
10.2L/min	15.3L/min	21.6L/min	30.9L/min	



BOX SIZE 250 x 160 x 210 mm