

After care service

Cleaning your product

When cleaning the cabinet or any mirrored surfaces it is recommended to use a soft, dry, non abrasive cloth with the cabinet turned off. Do not use cleaning agents or abrasive materials.

Do not allow moisture to come into contact with any electrical components.

Troubleshooting & After care service

For any further assistance, please feel free to contact our tech support team at: techsupport@roperrhodes.co.uk

Roper Rhodes Ltd reserves the right to amend the specification of its products at any time if an opportunity to improve the product occurs. All dimensions are approximate and are quoted within reasonable tolerances.

For more product information visit our website www.roperrhodes.co.uk where you can watch product videos and view more detailed information on Roper Rhodes cabinets and mirrors as well as the rest of our bathroom product range.

Compliance

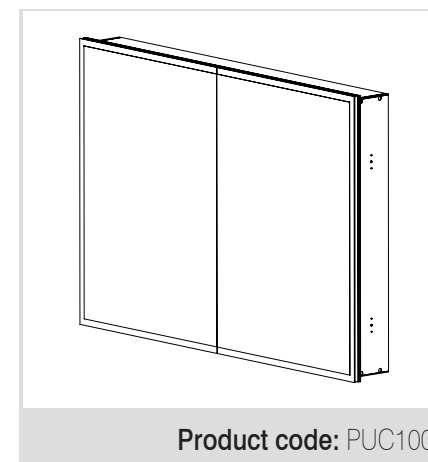
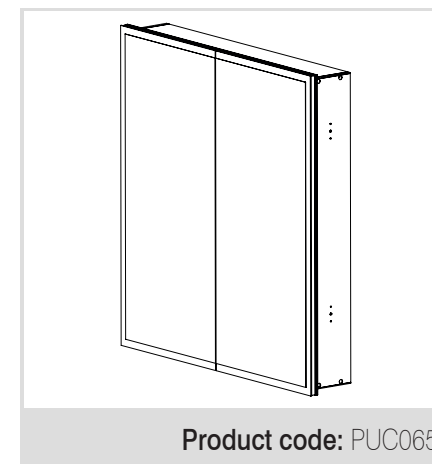
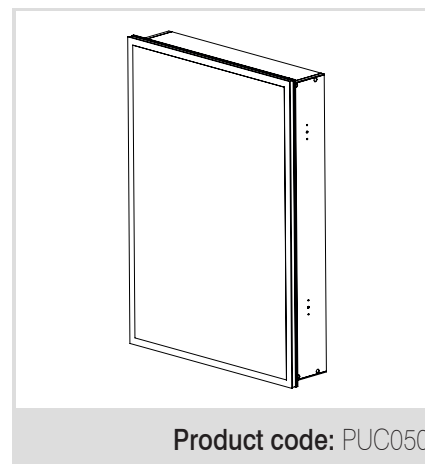
This product complies with all relevant British and European safety standards.



© Roper Rhodes Ltd. 2020

Roper Rhodes, Brassmill Lane Trading Estate, Bath, BA1 3JF
TEL: 01225 303 900 | techsupport@roperrhodes.co.uk
www.roperrhodes.co.uk

ROPER RHODES®



PURPOSE

Recessed Illuminated Cabinet

Installation and Operating Instructions

Retain for future reference

AO.08.20.V10

Electrical Safety

Suitable for UK Installations **only**.

All fittings must be installed by a competent person, in accordance with current IEE wiring regulations. If in doubt consult a qualified electrician.

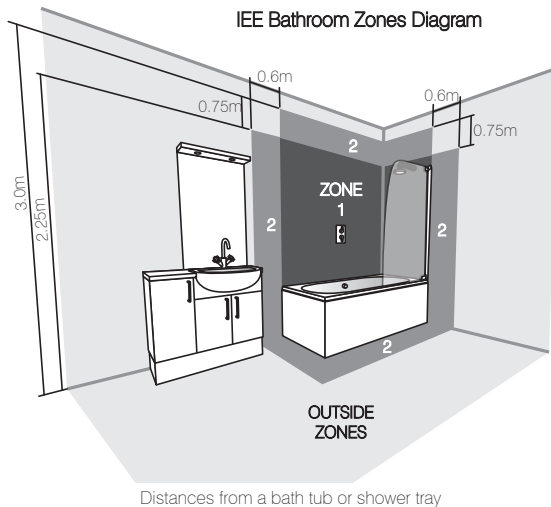
Important: Always switch off the electrical supply at the mains during installation and maintenance. It is recommended that the fuse is withdrawn or the circuit breaker is switched off for the necessary circuit before installation commences.

This product is manufactured to class I category and **must** have an earth connection.

WIRING DIAGRAM - MAINS SUPPLY



Bathroom Zones



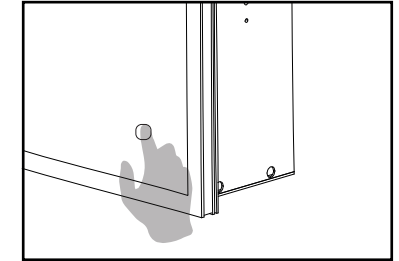
Bathroom fittings are subject to the appropriate zones in accordance with IEE Regulations. This product is **only** suitable for permanent installation in outside zones. This product is **not** suitable for installation in Zone 0 or 1, saunas, steam rooms or shower cubicles. Do **not** connect to a trailing plug and socket. Suitable for indoor use only. Do not install onto surfaces that are either damp or electrically conductive.

Operating Instructions

The Purpose cabinet comes with LED lighting and heated doors, which are controlled via a fixed touch sensor located on the front face of the product. The product can be controlled using the button functions detailed below:

Turn Mirror ON/OFF

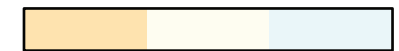
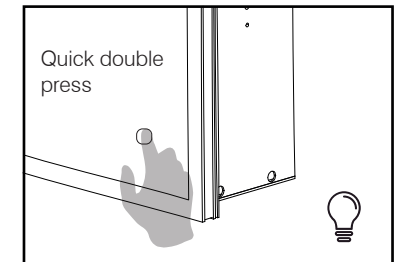
To turn the product on/off, short press the touch sensor. When the product is on, the heated demister will turn on.



Change LED colour

1. When the product is ON
2. Quickly double press the touch sensor to cycle through the colour temperature options. (2700k, 4000K and 6000K)

Note: The colour temperature will be memorised.

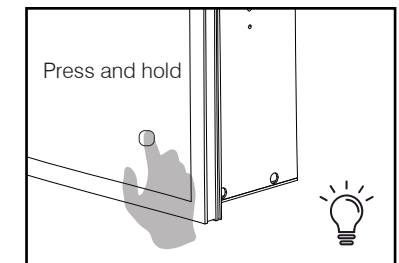


Warm Natural Daylight
 White → White → White
 2700K 4000K 6000K

Change LED intensity

1. When the product is ON
2. Press and hold the touch sensor to adjust its brightness.
3. Remove hand from touch sensor once desired intensity is reached.

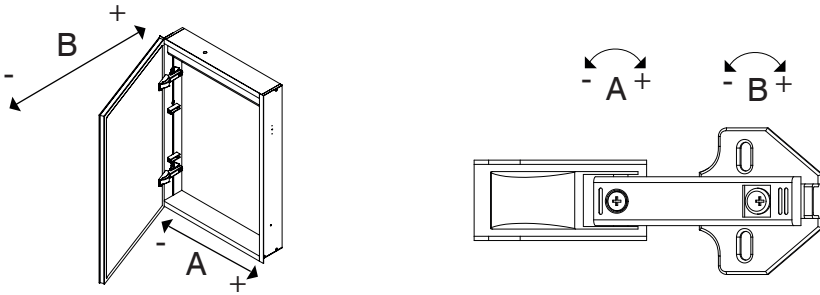
Note: The brightness will be memorised.



Installation Procedure

Step 5 - Door Alignment

5.1 – Adjust the cabinet doors using the adjustment screws on the hinges. As shown below.



Step 6 - Turning the power on

Important: Before turning the power back on, make sure the cabinet is securely installed and all electrical connections are safe to turn on.

6.1 – If the fuse was removed, re-insert the fuse and switch power on. If circuit breaker was switched off, turn back on.

6.2 - Check the functionality of the cabinet, operating instructions can be found on page 7.

Installation Procedure

Important: Before starting the installation process, make sure the electrical supply is switched off. It is recommended that the fuse is withdrawn or the circuit breaker is switched off for the necessary circuit.

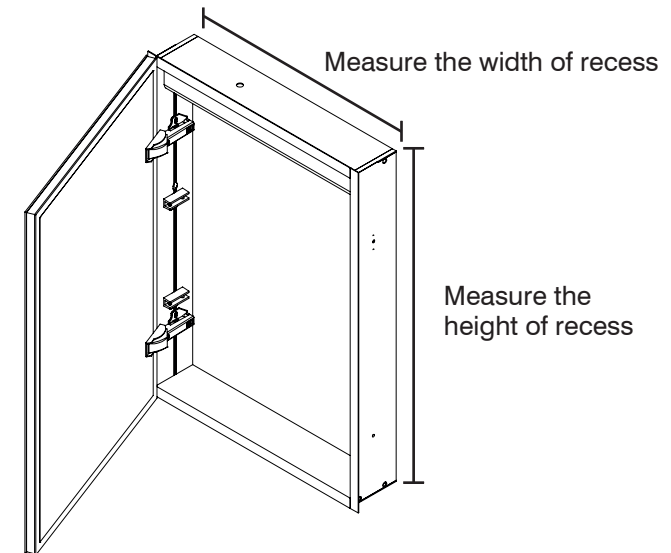
Important: Before starting the installation process, ensure the partition construction is suitable. Ensure it can support the weight of the cabinet, there is enough depth within the wall partition to house the cabinet, studs and noggins are suitably spaced and there is nothing obstructing the recessed area.

Important: Do not remove glass doors when installing the cabinet.

Note: The recessed cabinet will require the construction of a framework within the wall to seat and support the cabinet. This must be straight and square to ensure a successful installation. If in doubt consult a professional fitter.

Step 1 - Marking out the recessed area

1.1 - Before cutting any recess, measure the appropriate dimensions shown in the below diagram, relating to the model purchased.



1.2 - Mark out the recess on the wall. Special attention must be taken to ensure there is nothing within the desired recessed space.

1.3 - Cut out the recess. Check the fit of the cabinet ensuring that it fits square and flush to the wall. Remove cabinet once successfully checked.

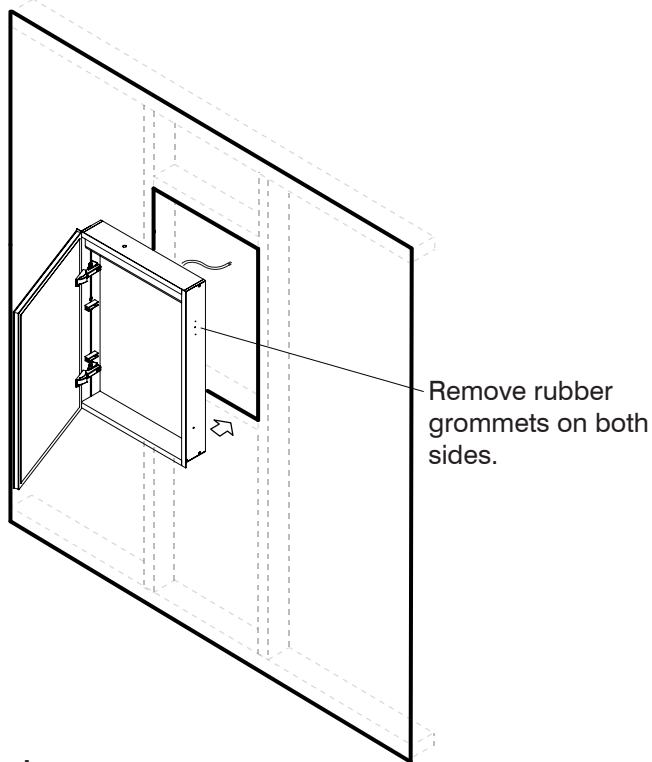
Installation Procedure

Step 2 - Fabrication of internal framework

2.1 - Construct a framework on the rear of the wall partition as shown below that will securely house the recessed cabinet.

2.2 - Check the fit of the cabinet into the frame ensuring that it fits square and flush within the framework. Remove cabinet once successfully checked.

2.3 - Remove the top rubber grommets found on both sides of the cabinet as shown below.



Step 3 - Connecting to power

Important: Before connecting the cabinet to the mains supply, make sure the electrical supply is switched off. It is recommended that the fuse is withdrawn or the circuit breaker is switched off for the necessary circuit.

3.1 - Connect to mains electrical supply. Connections should be made in accordance with the latest IEE regulations. This cabinet is manufactured to CLASS 1 and requires an earth connection.

Installation Procedure

Step 4 - Installing the cabinet (PUC050, PUC065 & PUC100)

4.1 – Fit the cabinet and all cables into the recess created, making sure the cabinet fits flush to the wall and securely within the framework.

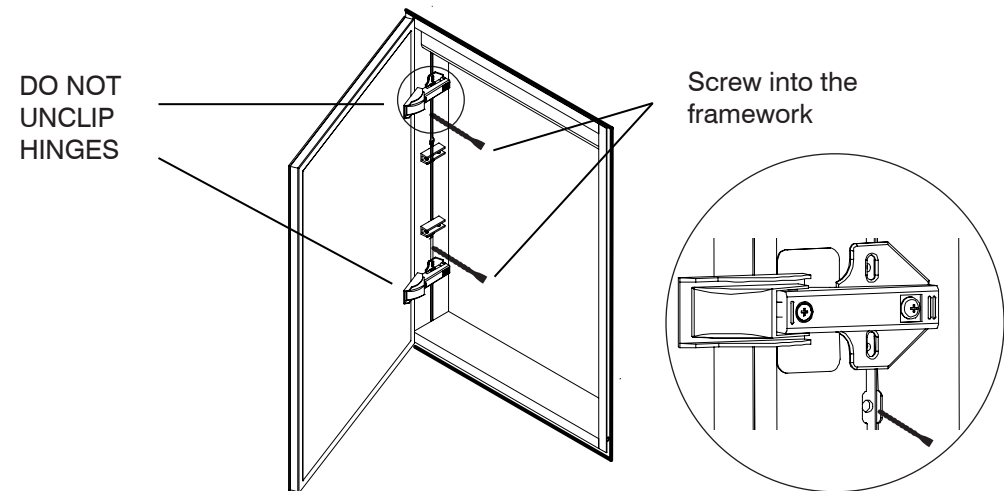
4.2 – Open the left hinged door, push the cabinet frame flush to the wall and support.

4.3 – Screw a self-tapping timber screw through the centre of the top hole on the left inner side of the cabinet, through the cabinet into the timber framework installed.

4.4 – The cabinet should be able to hold itself within the frame. Now focus on the right inner side of the cabinet. Open the right door if you have a double door cabinet.

4.5 – Screw a self-tapping timber screw through the centre of the top hole on the right inner side of the cabinet, through the cabinet into the timber framework installed.

4.6 – Screw a self-tapping timber screw through the bottom fixing holes on both sides.



4.7 – Check the cabinet is flush and securely fitted to the wall.

4.8 – Continue to step 5.