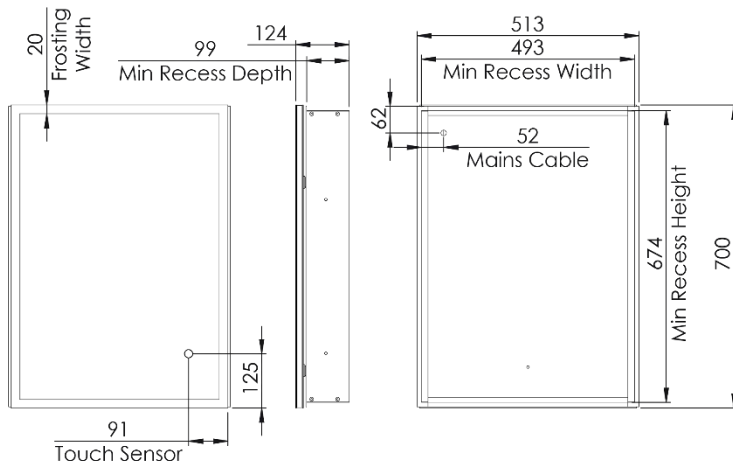


# Technical Data Sheet

PURPOSE – PUC050, PUC065, & PUC100

## PUC050



## Box Contents

Purpose Cabinet | 2 glass shelves | 2x framework screws | Instruction's booklet

## Materials

**Carcass:** Extruded Aluminium

**Door:** Double sided mirror

**Glass:** 3mm PVC Backed

**Carcass end caps:** N/A

\*Dimensions are subject to change, customers are advised to measure actual product before commencing installation.

\*\*Fixing point dimensions are for guidance only/the positions of wall fixing must be checked when product is received.

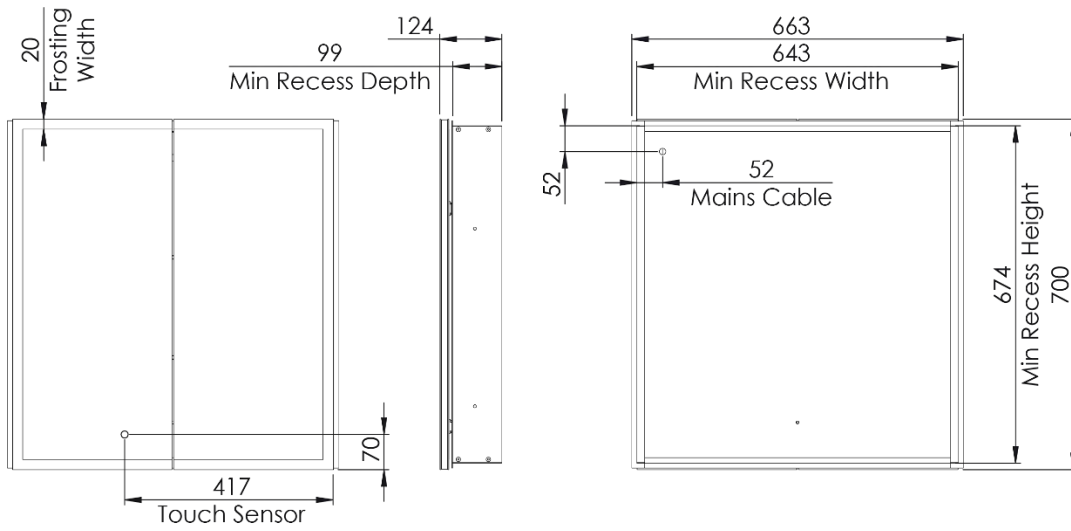
FAQ's:	Units	PUC050	PUC065	PUC100
Internal dimensions (L x W x D)	mm	600 x 462 x 90	600 x 610 x 90	600 x 962 x 90
Shelf dimensions (L x W x D)	mm	454 x 95 x 8	602 x 95 x 8	954 x 95 x 8
Max shelf spacing	mm	Customer can adjust to suit any spacing requirements		
Distance between door hinges	mm	400		
Individual door dimensions (L x W x D)	mm	700 x 500 x 15	700 x 324 x 15	700 x 500 x 15
Max door opening angle	°	110		
Max depth with door open	mm	500	324	500
Hanging bracket centres	mm	N/A – Recessed cabinet		
What is the thickness of the mirror glass?	mm	3		
Is the cabinet IP44 rated?	-	Yes – suitable for use in bathroom zone 2		
What size fuse should I use?	-	Seek the advice of an electrician		
What is the total power consumption?	W	36.5	66	73
Does the cabinet have an energy rating?	-	Yes – It has an energy rating of: A		
What is the colour of the light and the Kelvin rating?	K	2700 - 6500		
What is the wattage of the lights?	W	21.5	36	43
Where is the touch sensor/rocker switch located?	-	Front bottom right	Front left door – bottom right	
Can the LED lighting be replaced?	-	No		
Can the touch sensor be replaced?	-	No		
What is the output of the demister pad?	W	15	30	
What are the dimensions of the demister pad? (L x W)	mm	200 x 300	150 x 400	200 x 300
How do I turn on the demister pad?	-	The demister pad will turn on when the LEDs are turned on.		
Are illuminated cabinets supplied with mains cable?	-	All illuminated cabinets are supplied with a removeable 500mm mains cable. There is ample storage for excess cable in the back of the unit.		

## 10 Year Guarantee

We have complete confidence in this Roper Rhodes bathroom Cabinet and as such it is offered with a 10-year guarantee against defects in manufacture. The electronics are covered by our 2-year guarantee. In the unlikely event that this product should fail during the guarantee period we will either replace the faulty part or the complete unit as appropriate.

Please allow a tolerance of ±5mm on all dimensions shown. A tolerance of ±2mm applies to product depth.

## **PUC065**



## **PUC100**

