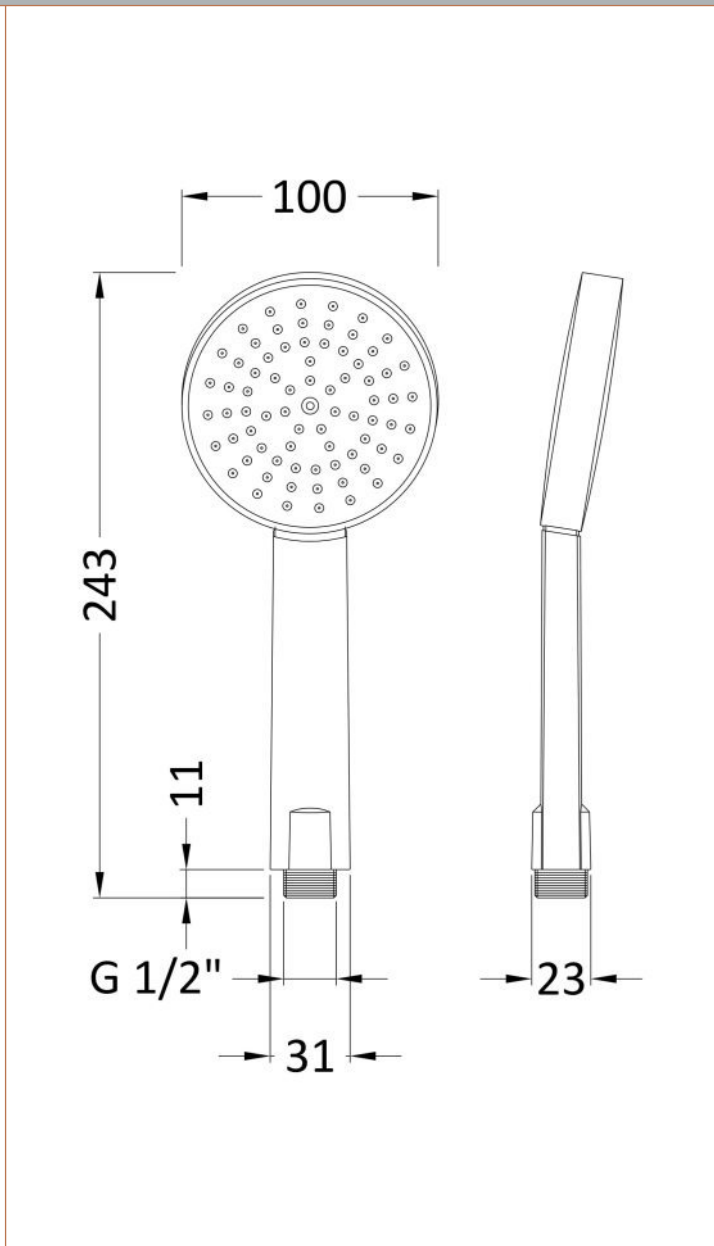


Sales Code: HS001

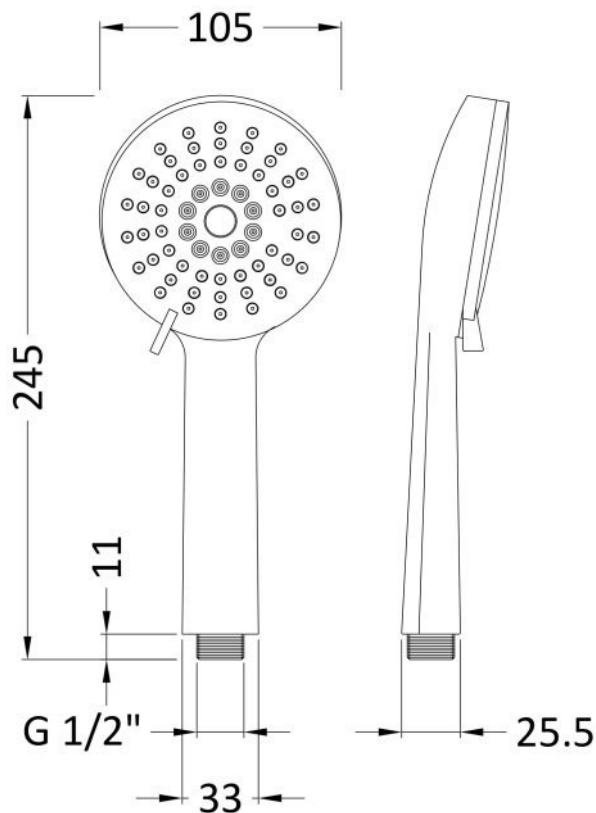
Description: Single Function Water Saving Handset



Product Dimensions	
Length (mm):	
Width (mm):	100
Height (mm):	243
Depth (mm):	23
Nett Weight (kg):	0.23
Packaging Dimensions	
Length (mm):	275
Width (mm):	110
Height (mm):	
Gross Weight (kg):	0.23
Packaging Data	
Box Colour:	White Cardboard Box
Box Qty:	1
Label Size:	100 x 50
Label Colour:	White Label
Label Qty:	1
Outer Box Dimensions (If Applicable)	
Length (mm):	
Width (mm):	
Height (mm):	
Depth (mm):	
Gross Weight (kg):	
Barcode:	5055369036592
Product Details	
Country of Origin:	China
Fitting Instruction:	No
Product Material:	ABS Plastic
Mount Type:	Not Applicable
Outlet Elbow Supplied:	No
Easy Clean:	Yes
Head Included:	Not Applicable
Handset Included:	Yes
Body Jets Included:	Not Applicable
No of Body Jets:	Not Applicable
Operating Pressure (bar):	0.1
Valve/Cartridge Type:	Not Applicable
Flow Rates (L/min):	0.1 bar: N/A 0.5 bar: N/A 1 bar: N/A 2 bar: N/A 3 bar: N/A
TMV2 Approved:	No Approval No: N/A
TMV3 Approved:	No Approval No: N/A
WRAS Approved:	No Approval No: N/A
Head Function:	Single
Handset Function:	Single Setting
Body Jet Info:	Not Applicable
Pipe Size:	Not Applicable
Pipe Centres:	N/A
Colour/Finish:	Chrome
Hose Included:	No
No. of Outlets:	N/A

Sales Code: HS002

Description: Multifunction Water Saving Handset



### Product Dimensions

Length (mm):	
Width (mm):	105
Height (mm):	245
Depth (mm):	26
Nett Weight (kg):	0.24

### Packaging Dimensions

Length (mm):	250
Width (mm):	110
Height (mm):	
Gross Weight (kg):	0.24

### Packaging Data

Box Colour:	White Cardboard Box
Box Qty:	1
Label Size:	100 x 50
Label Colour:	White Label
Label Qty:	1

### Outer Box Dimensions (If Applicable)

Length (mm):	
Width (mm):	
Height (mm):	
Depth (mm):	
Gross Weight (kg):	
Barcode:	5055369036608

### Product Details

Country of Origin:	China
Fitting Instruction:	No
Product Material:	ABS Plastic
Mount Type:	Not Applicable
Outlet Elbow Supplied:	No
Easy Clean:	Yes
Head Included:	Not Applicable
Handset Included:	Yes
Body Jets Included:	Not Applicable
No of Body Jets:	Not Applicable
Operating Pressure (bar):	0.5
Valve/Cartridge Type:	Not Applicable
Flow Rates (L/min):	0.1 bar: N/A 0.5 bar: N/A 1 bar: N/A 2 bar: N/A 3 bar: N/A
TMV2 Approved:	No Approval No: N/A
TMV3 Approved:	No Approval No: N/A
WRAS Approved:	No Approval No: N/A
Head Function:	Multiple
Handset Function:	Multiple Settings
Body Jet Info:	Not Applicable
Pipe Size:	Not Applicable
Pipe Centres:	N/A
Colour/Finish:	Chrome
Hose Included:	No
No. of Outlets:	N/A