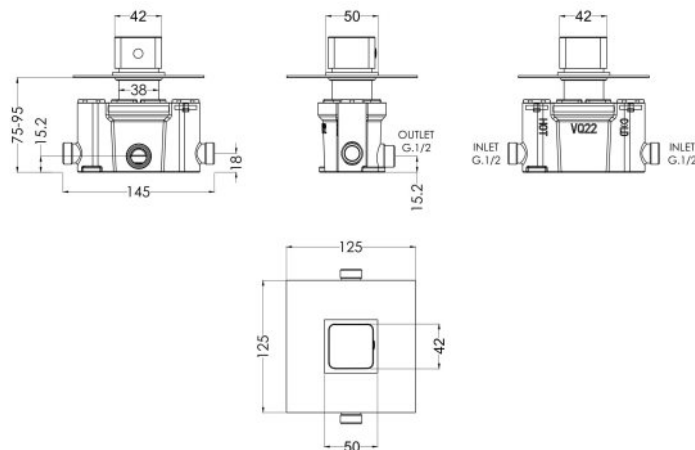
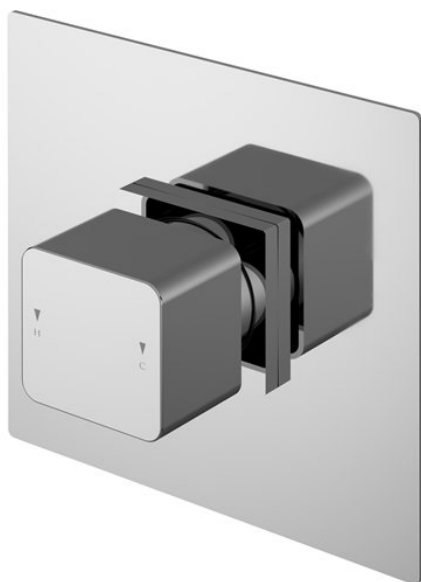


Sales Code: WINTC11

Description: Windon Thermostatic Temp Control Valve



Product Dimensions

Length (mm):	
Width (mm):	125
Height (mm):	125
Depth (mm):	135
Nett Weight (kg):	1

Packaging Dimensions

Length (mm):	246
Width (mm):	181
Height (mm):	
Gross Weight (kg):	1

Packaging Data

Box Colour:	White Cardboard Box
Box Qty:	1
Label Size:	100 x 50
Label Colour:	White Label
Label Qty:	1

Outer Box Dimensions (If Applicable)

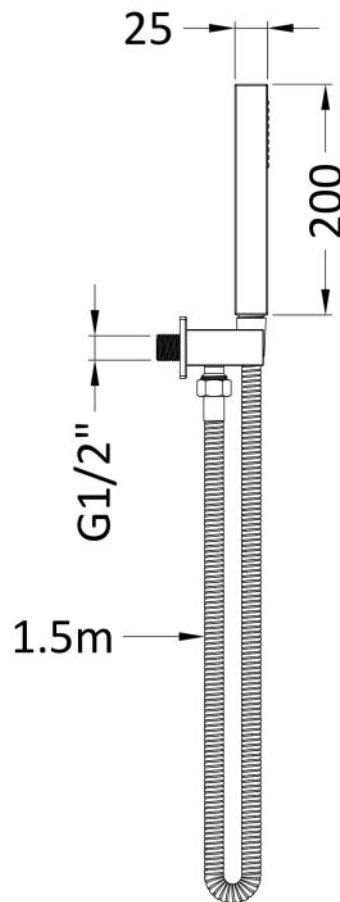
Length (mm):	
Width (mm):	380
Height (mm):	750
Depth (mm):	260
Gross Weight (kg):	
Barcode:	5056211898429

Product Details

Country of Origin:	China
Fitting Instruction:	No
Product Material:	Brass/ABS
Mount Type:	Recessed, Wall
Outlet Elbow Supplied:	No
Easy Clean:	Not Applicable
Head Included:	No
Handset Included:	No
Body Jets Included:	No
No of Body Jets:	Not Applicable
Operating Pressure (bar):	0.1
Valve/Cartridge Type:	Not Applicable
Flow Rates (L/min):	0.1 bar: 5.8 0.5 bar: 15.1 1 bar: 21.6 2 bar: 30.7 3 bar: 37.6
TMV2 Approved:	No Approval No: N/A
TMV3 Approved:	No Approval No: N/A
WRAS Approved:	No Approval No: N/A
Head Function:	Not Applicable
Handset Function:	Not Applicable
Body Jet Info:	Not Applicable
Pipe Size:	15 mm (1/2" Bsp)
Pipe Centres:	N/A
Colour/Finish:	Chrome
Hose Included:	Not Applicable
No. of Outlets:	1

Sales Code: A3264

Description: Sq Outlet Elbow C/W Parking Bkt & Kit



Product Dimensions

Length (mm):	
Width (mm):	25
Height (mm):	1700
Depth (mm):	55
Nett Weight (kg):	0.68

Packaging Dimensions

Length (mm):	275
Width (mm):	185
Height (mm):	
Gross Weight (kg):	0.68

Packaging Data

Box Colour:	White Cardboard Box
Box Qty:	1
Label Size:	100 x 50
Label Colour:	White Label
Label Qty:	2

Outer Box Dimensions (If Applicable)

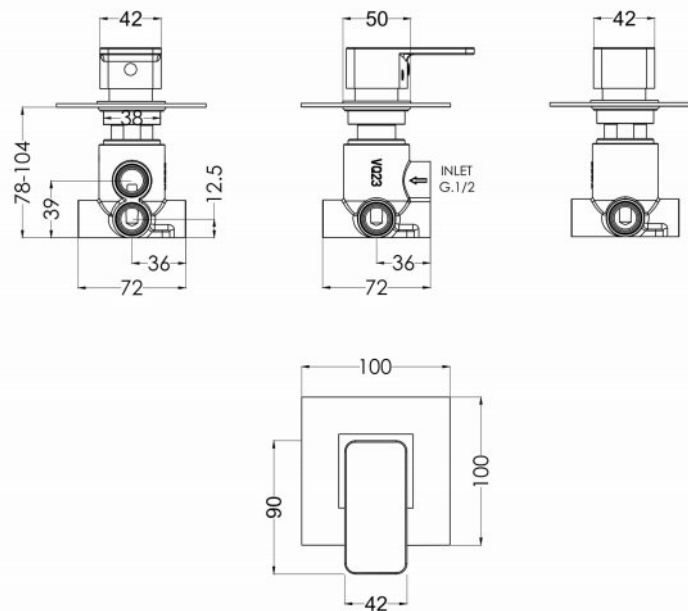
Length (mm):	
Width (mm):	
Height (mm):	
Depth (mm):	
Gross Weight (kg):	
Barcode:	5055369016976

Product Details

Country of Origin:	United Kingdom
Fitting Instruction:	No
Product Material:	Brass/ABS
Mount Type:	Surface, Wall
Outlet Elbow Supplied:	Yes
Easy Clean:	Not Applicable
Head Included:	No
Handset Included:	Yes
Body Jets Included:	Not Applicable
No of Body Jets:	Not Applicable
Operating Pressure (bar):	
Valve/Cartridge Type:	Not Applicable
Flow Rates (L/min):	0.1 bar: N/A 0.5 bar: N/A 1 bar: N/A 2 bar: N/A 3 bar: N/A
TMV2 Approved:	No Approval No: N/A
TMV3 Approved:	No Approval No: N/A
WRAS Approved:	No Approval No: N/A
Head Function:	Not Applicable
Handset Function:	Single Setting
Body Jet Info:	Not Applicable
Pipe Size:	Not Applicable
Pipe Centres:	N/A
Colour/Finish:	Chrome
Hose Included:	Yes
No. of Outlets:	N/A

Sales Code: WINWD14

Description: Windon Concealed Div 2/3/4 Way



Product Dimensions

Length (mm):	
Width (mm):	100
Height (mm):	100
Depth (mm):	135
Nett Weight (kg):	1.05

Packaging Dimensions

Length (mm):	189
Width (mm):	175
Height (mm):	
Gross Weight (kg):	1.05

Packaging Data

Box Colour:	White Cardboard Box
Box Qty:	1
Label Size:	100 x 50
Label Colour:	White Label
Label Qty:	1

Outer Box Dimensions (If Applicable)

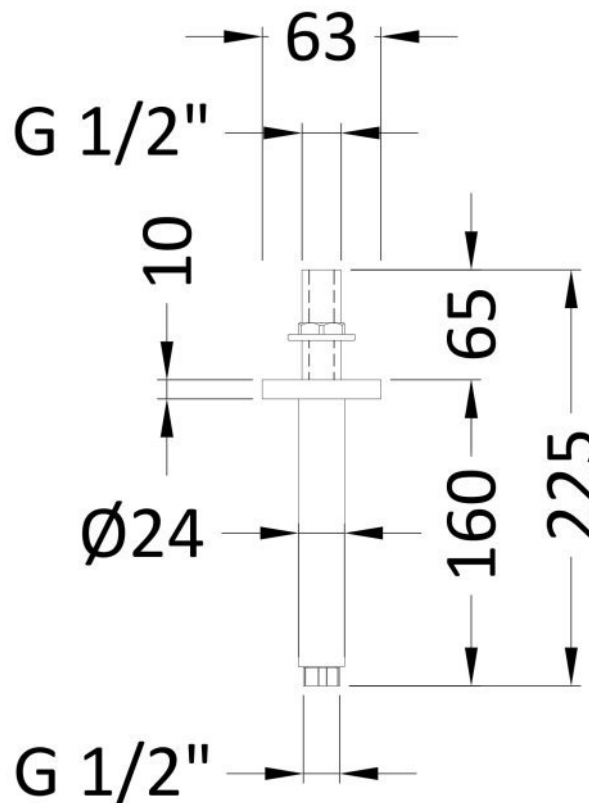
Length (mm):	
Width (mm):	370
Height (mm):	720
Depth (mm):	220
Gross Weight (kg):	
Barcode:	5056211898443

Product Details

Country of Origin:	United Kingdom
Fitting Instruction:	No
Product Material:	Brass
Mount Type:	Wall, Recessed
Outlet Elbow Supplied:	No
Easy Clean:	Not Applicable
Head Included:	No
Handset Included:	No
Body Jets Included:	No
No of Body Jets:	Not Applicable
Operating Pressure (bar):	0.2
Valve/Cartridge Type:	1/4 Turn Ceramic Disc
Flow Rates (L/min):	0.1 bar: 5.2 0.5 bar: 13.3 1 bar: 19.1 2 bar: 27 3 bar: 33.2
TMV2 Approved:	No Approval No: N/A
TMV3 Approved:	No Approval No: N/A
WRAS Approved:	No Approval No: N/A
Head Function:	Not Applicable
Handset Function:	Not Applicable
Body Jet Info:	Not Applicable
Pipe Size:	15 mm (1/2" Bsp)
Pipe Centres:	N/A
Colour/Finish:	Chrome
Hose Included:	Not Applicable
No. of Outlets:	4

Sales Code: ARM15

Description: Round Ceiling Arm 150mm



Product Dimensions

Length (mm):	
Width (mm):	63
Height (mm):	225
Depth (mm):	63
Nett Weight (kg):	0.43

Packaging Dimensions

Length (mm):	230
Width (mm):	80
Height (mm):	
Gross Weight (kg):	0.43

Packaging Data

Box Colour:	White Cardboard Box
Box Qty:	1
Label Size:	100 x 50
Label Colour:	White Label
Label Qty:	2

Outer Box Dimensions (If Applicable)

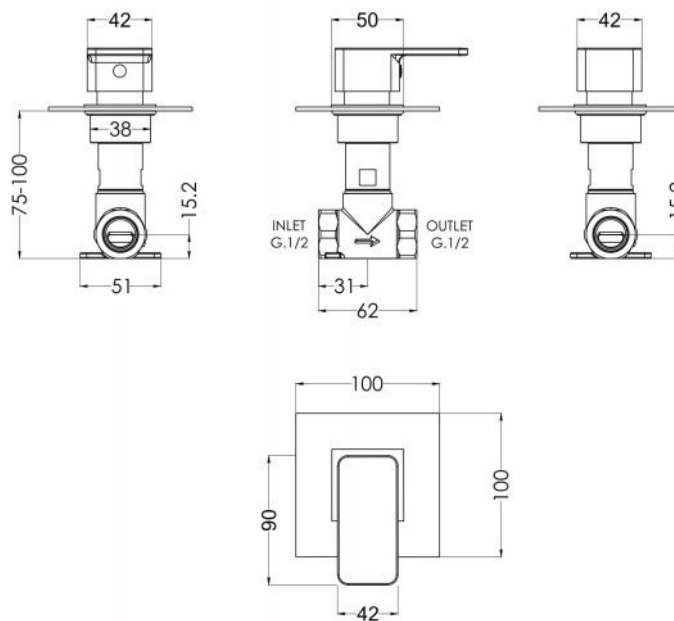
Length (mm):	
Width (mm):	480
Height (mm):	430
Depth (mm):	190
Gross Weight (kg):	9
Barcode:	5055369013289

Product Details

Country of Origin:	China
Fitting Instruction:	No
Product Material:	Brass
Mount Type:	Surface, Ceiling
Outlet Elbow Supplied:	No
Easy Clean:	Not Applicable
Head Included:	No
Handset Included:	Not Applicable
Body Jets Included:	No
No of Body Jets:	Not Applicable
Operating Pressure (bar):	
Valve/Cartridge Type:	Not Applicable
Flow Rates (L/min):	0.1 bar: N/A 0.5 bar: N/A 1 bar: N/A 2 bar: N/A 3 bar: N/A
TMV2 Approved:	No Approval No: N/A
TMV3 Approved:	No Approval No: N/A
WRAS Approved:	No Approval No: N/A
Head Function:	Not Applicable
Handset Function:	Not Applicable
Body Jet Info:	Not Applicable
Pipe Size:	Not Applicable
Pipe Centres:	N/A
Colour/Finish:	Chrome
Hose Included:	Not Applicable
No. of Outlets:	1

Sales Code: WINST10

Description: Windon Concealed Stop Tap



Product Dimensions

Length (mm):	
Width (mm):	100
Height (mm):	100
Depth (mm):	135
Nett Weight (kg):	0.77

Packaging Dimensions

Length (mm):	175
Width (mm):	157
Height (mm):	
Gross Weight (kg):	0.77

Packaging Data

Box Colour:	White Cardboard Box
Box Qty:	1
Label Size:	100 x 50
Label Colour:	White Label
Label Qty:	1

Outer Box Dimensions (If Applicable)

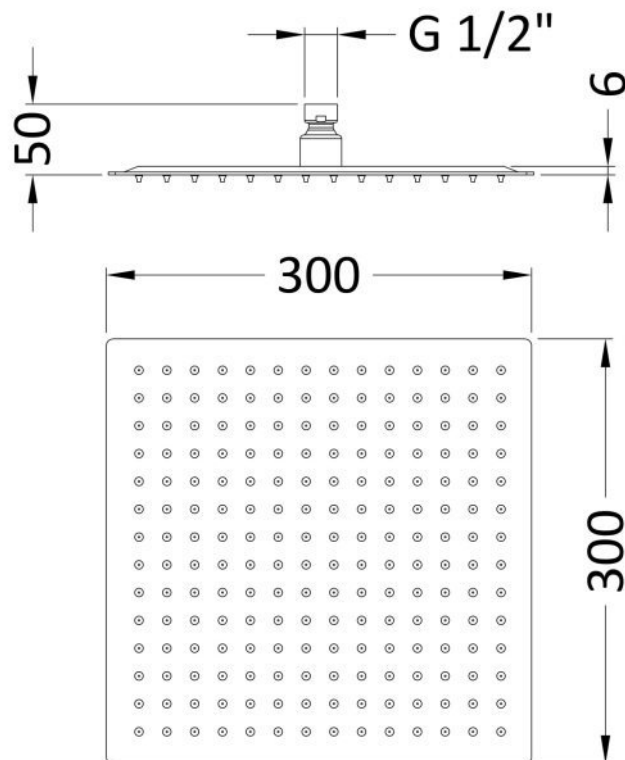
Length (mm):	
Width (mm):	330
Height (mm):	560
Depth (mm):	195
Gross Weight (kg):	
Barcode:	5056211898436

Product Details

Country of Origin:	United Kingdom
Fitting Instruction:	No
Product Material:	Brass
Mount Type:	Wall, Recessed
Outlet Elbow Supplied:	No
Easy Clean:	Not Applicable
Head Included:	No
Handset Included:	No
Body Jets Included:	No
No of Body Jets:	Not Applicable
Operating Pressure (bar):	0.2
Valve/Cartridge Type:	1/4 Turn Ceramic Disc
Flow Rates (L/min):	0.1 bar: 5.4 0.5 bar: 13.4 1 bar: 19.2 2 bar: 27.5 3 bar: 33.3
TMV2 Approved:	No Approval No: N/A
TMV3 Approved:	No Approval No: N/A
WRAS Approved:	No Approval No: N/A
Head Function:	Not Applicable
Handset Function:	Not Applicable
Body Jet Info:	Not Applicable
Pipe Size:	15 mm (1/2" Bsp)
Pipe Centres:	N/A
Colour/Finish:	Chrome
Hose Included:	Not Applicable
No. of Outlets:	1

Sales Code: HEAD58

Description: Square Thin Fixed Shower Head 300X300mm



Product Dimensions

Length (mm):	
Width (mm):	300
Height (mm):	50
Depth (mm):	300
Nett Weight (kg):	1.74

Packaging Dimensions

Length (mm):	330
Width (mm):	310
Height (mm):	
Gross Weight (kg):	1.74

Packaging Data

Box Colour:	White Cardboard Box
Box Qty:	1
Label Size:	100 x 50
Label Colour:	White Label
Label Qty:	2

Outer Box Dimensions (If Applicable)

Length (mm):	
Width (mm):	335
Height (mm):	320
Depth (mm):	650
Gross Weight (kg):	9
Barcode:	5055369018727

Product Details

Country of Origin:	China
Fitting Instruction:	No
Product Material:	St-Steel
Mount Type:	Wall, Surface
Outlet Elbow Supplied:	No
Easy Clean:	Yes
Head Included:	Yes
Handset Included:	No
Body Jets Included:	Not Applicable
No of Body Jets:	Not Applicable
Operating Pressure (bar):	0.5
Valve/Cartridge Type:	Not Applicable
Flow Rates (L/min):	0.1 bar: N/A 0.5 bar: N/A 1 bar: N/A 2 bar: N/A 3 bar: N/A
TMV2 Approved:	No Approval No: N/A
TMV3 Approved:	No Approval No: N/A
WRAS Approved:	No Approval No: N/A
Head Function:	Single
Handset Function:	Not Applicable
Body Jet Info:	Not Applicable
Pipe Size:	Not Applicable
Pipe Centres:	N/A
Colour/Finish:	Chrome
Hose Included:	Not Applicable
No. of Outlets:	N/A