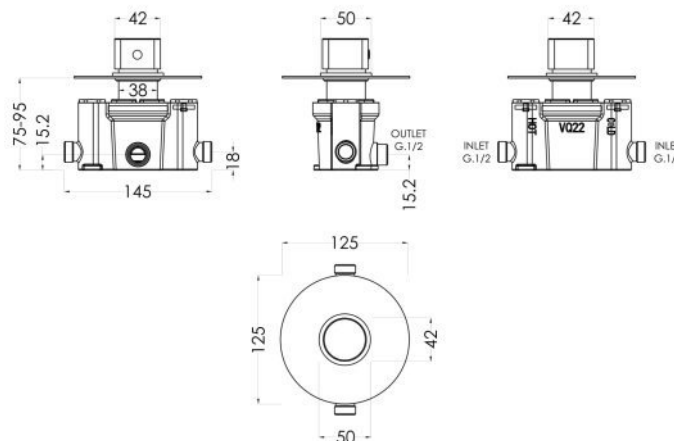


Sales Code: ARVTC11

Description: Arvan Thermostatic Temp Control Valve



### Product Dimensions

Length (mm):	
Width (mm):	125
Height (mm):	125
Depth (mm):	135
Nett Weight (kg):	1

### Packaging Dimensions

Length (mm):	246
Width (mm):	181
Height (mm):	
Gross Weight (kg):	1

### Packaging Data

Box Colour:	White Cardboard Box
Box Qty:	1
Label Size:	100 x 50
Label Colour:	White Label
Label Qty:	1

### Outer Box Dimensions (If Applicable)

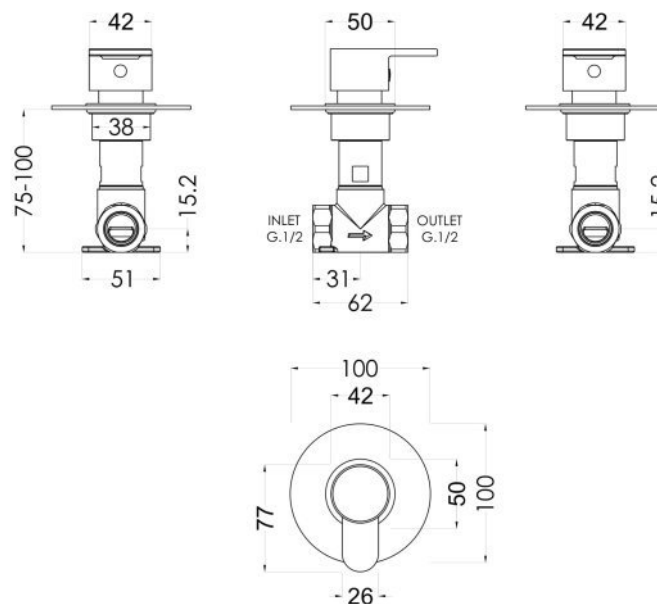
Length (mm):	
Width (mm):	380
Height (mm):	750
Depth (mm):	260
Gross Weight (kg):	
Barcode:	5056211898719

### Product Details

Country of Origin:	United Kingdom
Fitting Instruction:	No
Product Material:	Brass/ABS
Mount Type:	Recessed, Wall
Outlet Elbow Supplied:	No
Easy Clean:	Not Applicable
Head Included:	No
Handset Included:	No
Body Jets Included:	No
No of Body Jets:	Not Applicable
Operating Pressure (bar):	0.1
Valve/Cartridge Type:	Not Applicable
Flow Rates (L/min): 0.1 bar: 5.8 0.5 bar: 15.1 1 bar: 21.6 2 bar: 30.7 3 bar: 37.6	
TMV2 Approved:	No Approval No: N/A
TMV3 Approved:	No Approval No: N/A
WRAS Approved:	No Approval No: N/A
Head Function:	Not Applicable
Handset Function:	Not Applicable
Body Jet Info:	Not Applicable
Pipe Size:	15 mm (1/2" Bsp)
Pipe Centres:	N/A
Colour/Finish:	Chrome
Hose Included:	Not Applicable
No. of Outlets:	1

Sales Code: ARVST10

Description: Arvan Concealed Stop Tap



### Product Dimensions

Length (mm):	
Width (mm):	100
Height (mm):	100
Depth (mm):	135
Nett Weight (kg):	0.77

### Packaging Dimensions

Length (mm):	175
Width (mm):	157
Height (mm):	
Gross Weight (kg):	0.77

### Packaging Data

Box Colour:	White Cardboard Box
Box Qty:	1
Label Size:	100 x 50
Label Colour:	White Label
Label Qty:	1

### Outer Box Dimensions (If Applicable)

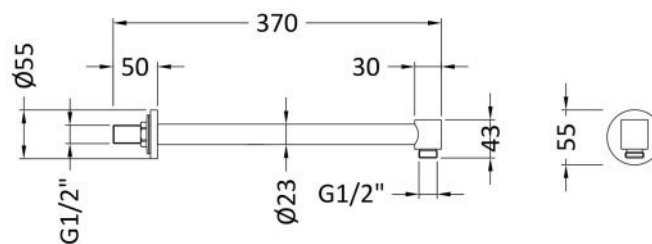
Length (mm):	
Width (mm):	330
Height (mm):	560
Depth (mm):	195
Gross Weight (kg):	
Barcode:	5056211898726

### Product Details

Country of Origin:	United Kingdom
Fitting Instruction:	No
Product Material:	Brass
Mount Type:	Wall, Recessed
Outlet Elbow Supplied:	No
Easy Clean:	Not Applicable
Head Included:	No
Handset Included:	No
Body Jets Included:	No
No of Body Jets:	Not Applicable
Operating Pressure (bar):	0.2
Valve/Cartridge Type:	1/4 Turn Ceramic Disc
Flow Rates (L/min):	0.1 bar: 5.4   0.5 bar: 13.4   1 bar: 19.2   2 bar: 27.5   3 bar: 33.3
TMV2 Approved:	No   Approval No: N/A
TMV3 Approved:	No   Approval No: N/A
WRAS Approved:	No   Approval No: N/A
Head Function:	Not Applicable
Handset Function:	Not Applicable
Body Jet Info:	Not Applicable
Pipe Size:	15 mm (1/2" Bsp)
Pipe Centres:	N/A
Colour/Finish:	Chrome
Hose Included:	Not Applicable
No. of Outlets:	1

Sales Code: ARM03

Description: Contemporary W/H Shower Arm



### Product Dimensions

Length (mm):	
Width (mm):	55
Height (mm):	55
Depth (mm):	328
Nett Weight (kg):	0.79

### Packaging Dimensions

Length (mm):	410
Width (mm):	120
Height (mm):	
Gross Weight (kg):	0.79

### Packaging Data

Box Colour:	White Cardboard Box
Box Qty:	1
Label Size:	100 x 50
Label Colour:	White Label
Label Qty:	2

### Outer Box Dimensions (If Applicable)

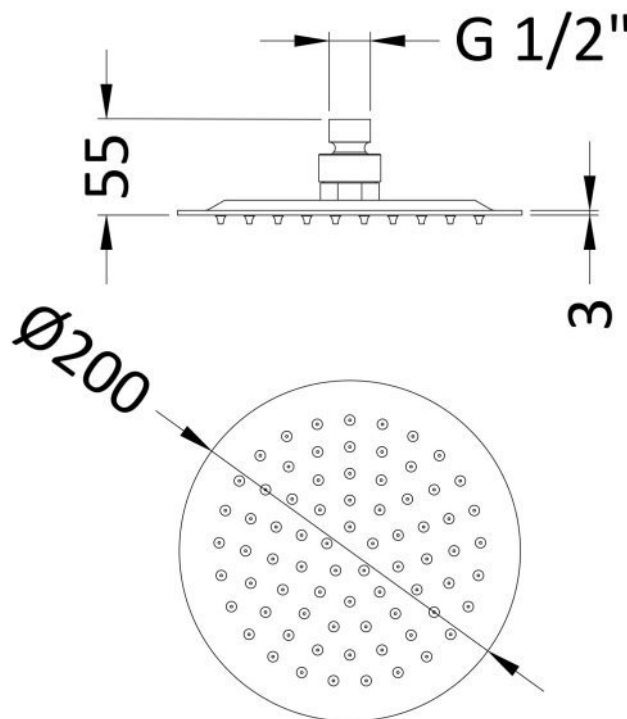
Length (mm):	
Width (mm):	490
Height (mm):	430
Depth (mm):	380
Gross Weight (kg):	16
Barcode:	5055146185659

### Product Details

Country of Origin:	China
Fitting Instruction:	No
Product Material:	Brass
Mount Type:	Surface, Wall
Outlet Elbow Supplied:	No
Easy Clean:	Not Applicable
Head Included:	No
Handset Included:	Not Applicable
Body Jets Included:	No
No of Body Jets:	Not Applicable
Operating Pressure (bar):	
Valve/Cartridge Type:	Not Applicable
Flow Rates (L/min):	0.1 bar: N/A 0.5 bar: N/A 1 bar: N/A 2 bar: N/A 3 bar: N/A
TMV2 Approved:	No Approval No: N/A
TMV3 Approved:	No Approval No: N/A
WRAS Approved:	No Approval No: N/A
Head Function:	Not Applicable
Handset Function:	Not Applicable
Body Jet Info:	Not Applicable
Pipe Size:	Not Applicable
Pipe Centres:	N/A
Colour/Finish:	Chrome
Hose Included:	Not Applicable
No. of Outlets:	1

Sales Code: A3082

Description: Round Fixed Head 200mm Diameter



### Product Dimensions

Length (mm):	
Width (mm):	200
Height (mm):	56
Depth (mm):	200
Nett Weight (kg):	0.92

### Packaging Dimensions

Length (mm):	210
Width (mm):	100
Height (mm):	
Gross Weight (kg):	0.92

### Packaging Data

Box Colour:	White Cardboard Box
Box Qty:	1
Label Size:	100 x 50
Label Colour:	White Label
Label Qty:	2

### Outer Box Dimensions (If Applicable)

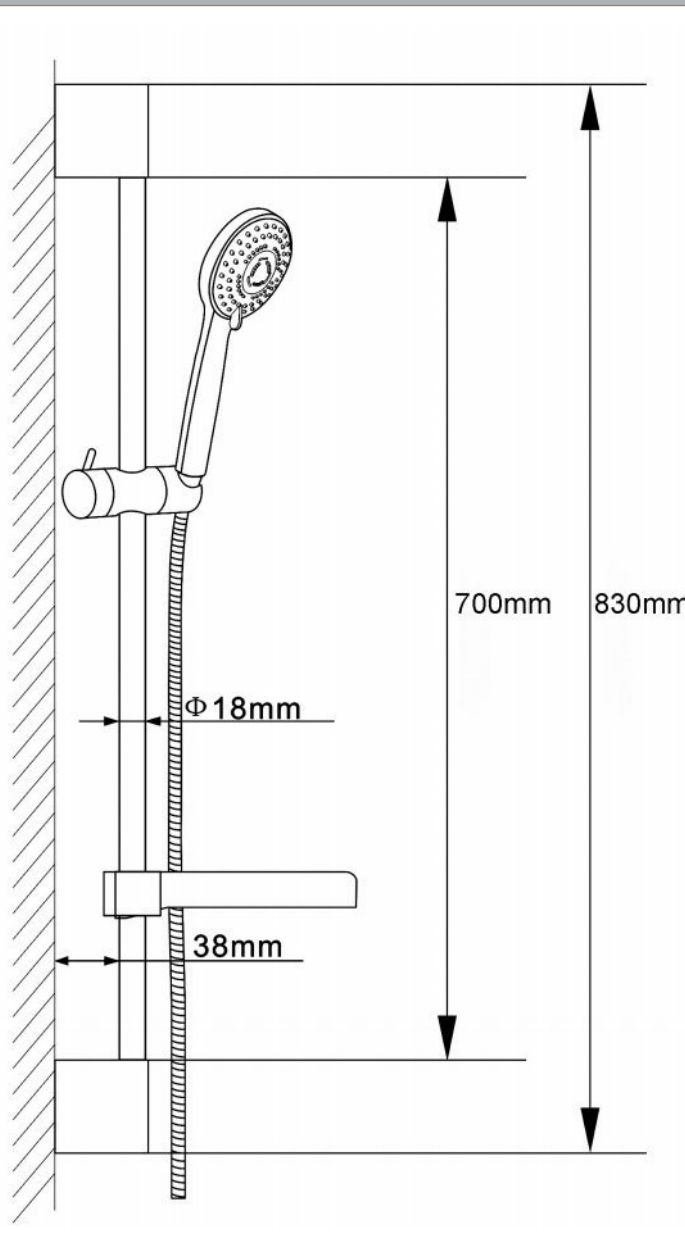
Length (mm):	
Width (mm):	500
Height (mm):	430
Depth (mm):	230
Gross Weight (kg):	9
Barcode:	5055146179887

### Product Details

Country of Origin:	China
Fitting Instruction:	No
Product Material:	St/Steel
Mount Type:	Wall, Surface
Outlet Elbow Supplied:	No
Easy Clean:	Not Applicable
Head Included:	Yes
Handset Included:	No
Body Jets Included:	Not Applicable
No of Body Jets:	Not Applicable
Operating Pressure (bar):	0.5
Valve/Cartridge Type:	Not Applicable
Flow Rates (L/min):	0.1 bar: N/A 0.5 bar: N/A 1 bar: N/A 2 bar: N/A 3 bar: N/A
TMV2 Approved:	No Approval No: N/A
TMV3 Approved:	No Approval No: N/A
WRAS Approved:	No Approval No: N/A
Head Function:	Single
Handset Function:	Not Applicable
Body Jet Info:	Not Applicable
Pipe Size:	Not Applicable
Pipe Centres:	N/A
Colour/Finish:	Chrome
Hose Included:	Not Applicable
No. of Outlets:	N/A

Sales Code: A3041

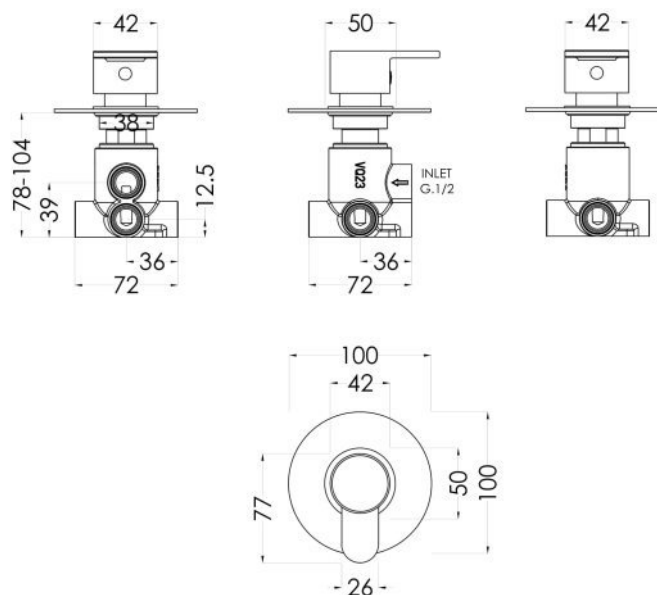
Description: Slimline Slider Rail Kit



Product Dimensions	
Length (mm):	
Width (mm):	10
Height (mm):	830
Depth (mm):	70
Nett Weight (kg):	1.38
Packaging Dimensions	
Length (mm):	725
Width (mm):	154
Height (mm):	
Gross Weight (kg):	1.44
Packaging Data	
Box Colour:	White Cardboard Box
Box Qty:	1
Label Size:	100 x 50
Label Colour:	White Label
Label Qty:	2
Outer Box Dimensions (If Applicable)	
Length (mm):	
Width (mm):	330
Height (mm):	500
Depth (mm):	750
Gross Weight (kg):	22
Barcode:	5055146181132
Product Details	
Country of Origin:	China
Fitting Instruction:	No
Product Material:	Brass/ABS
Mount Type:	Wall, Surface
Outlet Elbow Supplied:	Yes
Easy Clean:	Yes
Head Included:	No
Handset Included:	Yes
Body Jets Included:	No
No of Body Jets:	Not Applicable
Operating Pressure (bar):	0.5
Valve/Cartridge Type:	Not Applicable
Flow Rates (L/min):	0.1 bar: N/A 0.5 bar: N/A 1 bar: N/A 2 bar: N/A 3 bar: N/A
TMV2 Approved:	No Approval No: N/A
TMV3 Approved:	No Approval No: N/A
WRAS Approved:	No Approval No: N/A
Head Function:	Not Applicable
Handset Function:	Multiple Settings
Body Jet Info:	Not Applicable
Pipe Size:	15 mm (1/2" Bsp)
Pipe Centres:	N/A
Colour/Finish:	Chrome
Hose Included:	Yes
No. of Outlets:	1

Sales Code: ARVWD14

Description: Arvan Concealed Diverter 2/3/4 Way



### Product Dimensions

Length (mm):	
Width (mm):	100
Height (mm):	100
Depth (mm):	135
Nett Weight (kg):	1.05

### Packaging Dimensions

Length (mm):	189
Width (mm):	175
Height (mm):	
Gross Weight (kg):	1.05

### Packaging Data

Box Colour:	White Cardboard Box
Box Qty:	1
Label Size:	100 x 50
Label Colour:	White Label
Label Qty:	1

### Outer Box Dimensions (If Applicable)

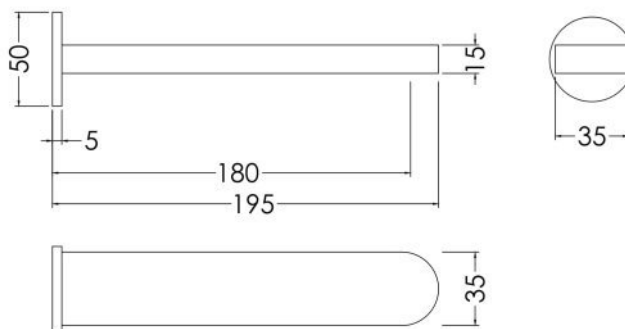
Length (mm):	
Width (mm):	370
Height (mm):	720
Depth (mm):	220
Gross Weight (kg):	
Barcode:	5056211898733

### Product Details

Country of Origin:	United Kingdom
Fitting Instruction:	No
Product Material:	Brass
Mount Type:	Wall, Recessed
Outlet Elbow Supplied:	No
Easy Clean:	Not Applicable
Head Included:	No
Handset Included:	No
Body Jets Included:	No
No of Body Jets:	Not Applicable
Operating Pressure (bar):	0.2
Valve/Cartridge Type:	1/4 Turn Ceramic Disc
Flow Rates (L/min):	0.1 bar: 5.2    0.5 bar: 13.3    1 bar: 19.1    2 bar: 27    3 bar: 33.2
TMV2 Approved:	No    Approval No: N/A
TMV3 Approved:	No    Approval No: N/A
WRAS Approved:	No    Approval No: N/A
Head Function:	Not Applicable
Handset Function:	Not Applicable
Body Jet Info:	Not Applicable
Pipe Size:	15 mm (1/2" Bsp)
Pipe Centres:	N/A
Colour/Finish:	Chrome
Hose Included:	Not Applicable
No. of Outlets:	4

**Sales Code:** ARV300

**Description:** Arvan Bath Spout



**Product Dimensions**

Height (mm):	45
Width (mm):	45
Depth (mm):	205
Length (mm):	
Nett Weight (kg):	0.66

**Packaging Dimensions**

Height (mm):	75
Width (mm):	85
Depth (mm):	280
Gross Weight (kg):	0.66

**Packaging Data**

Box Colour:	White Cardboard Box
Box Qty:	1
Label Size:	100 x 50
Label Colour:	White Label
Label Qty:	1

**Outer Box Dimensions (If Applicable)**

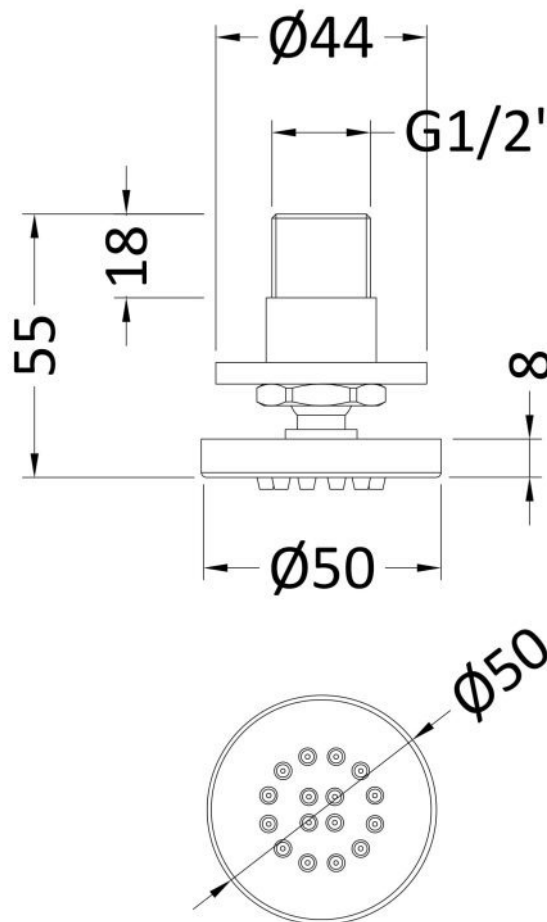
Height (mm):	400
Width (mm):	370
Depth (mm):	290
Length (mm):	
Gross Weight (kg):	
Barcode:	5056211898658

**Product Details**

Country of Origin:	China
Fitting Instruction:	Yes
Product Material:	Brass
Control Type:	Manual
Waste Included:	Waste Not Included
Waste Type:	Not Applicable
WRAS Approval: No	Approval No: N/A
Valve/Cartridge Type:	Not Applicable
Colour/Finish:	Chrome
Mount Type:	Wall
Operating Pressure (bar):	1
Flow Rates: (Litres Per Min) 0.1 bar: 6.4 0.5 bar: 13.8 1 bar: 19.4 2 bar: 27.5 3 bar: 33.9	
Pipe Size:	1/2"
Pipe Centres:	N/A

Sales Code: A355

Description: Round Sheer Body Jet



### Product Dimensions

Length (mm):	
Width (mm):	50
Height (mm):	55
Depth (mm):	50
Nett Weight (kg):	0.42

### Packaging Dimensions

Length (mm):	80
Width (mm):	70
Height (mm):	
Gross Weight (kg):	0.42

### Packaging Data

Box Colour:	White Cardboard Box
Box Qty:	1
Label Size:	100 x 50
Label Colour:	White Label
Label Qty:	2

### Outer Box Dimensions (If Applicable)

Length (mm):	
Width (mm):	440
Height (mm):	390
Depth (mm):	250
Gross Weight (kg):	21
Barcode:	5055146167662

### Product Details

Country of Origin:	China
Fitting Instruction:	No
Product Material:	Brass
Mount Type:	Surface, Wall
Outlet Elbow Supplied:	No
Easy Clean:	No
Head Included:	No
Handset Included:	Not Applicable
Body Jets Included:	Yes
No of Body Jets:	1
Operating Pressure (bar):	
Valve/Cartridge Type:	Not Applicable
Flow Rates (L/min):	0.1 bar: N/A 0.5 bar: N/A 1 bar: N/A 2 bar: N/A 3 bar: N/A
TMV2 Approved:	No Approval No: N/A
TMV3 Approved:	No Approval No: N/A
WRAS Approved:	No Approval No: N/A
Head Function:	Not Applicable
Handset Function:	Not Applicable
Body Jet Info:	Directional
Pipe Size:	Not Applicable
Pipe Centres:	N/A
Colour/Finish:	Chrome
Hose Included:	Not Applicable
No. of Outlets:	N/A