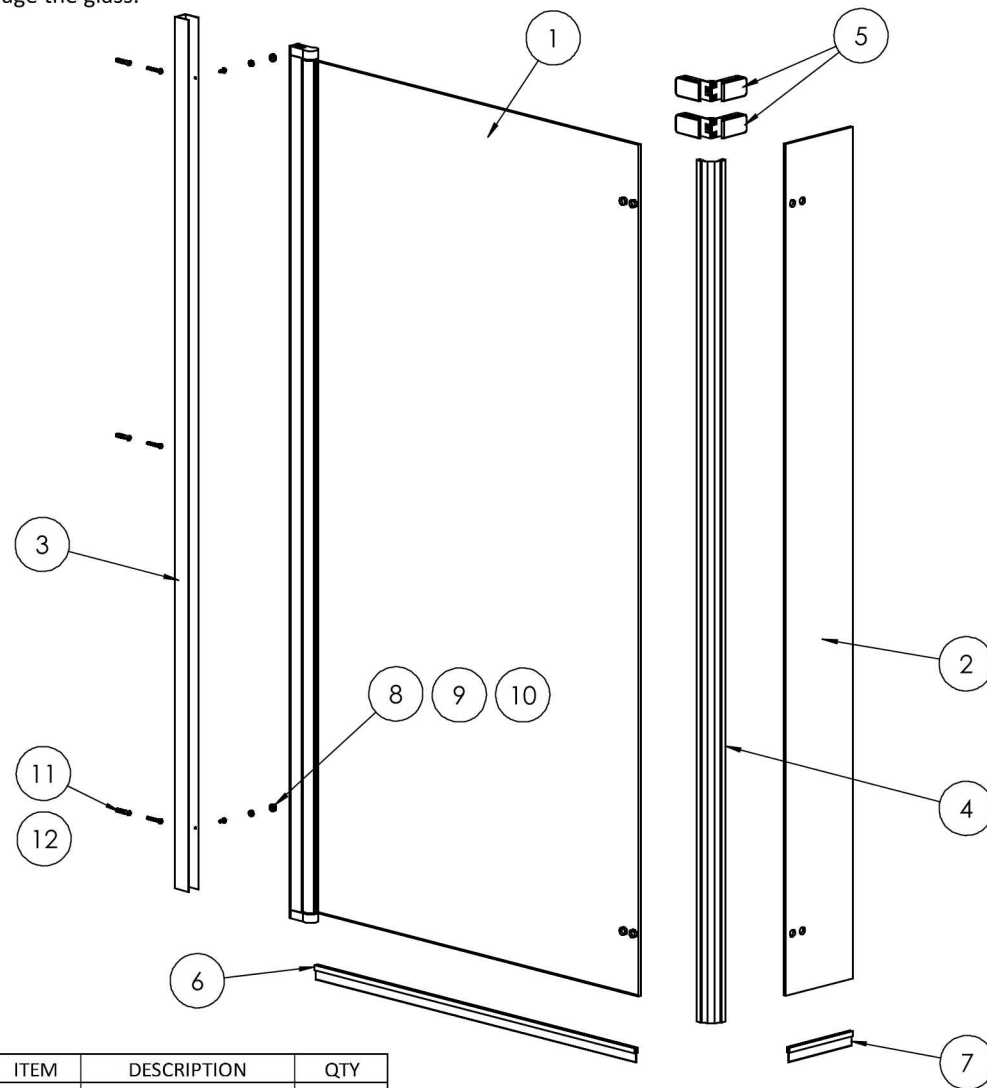


HINGED SQUARE SHOWER BATH SCREEN INSTALLATION

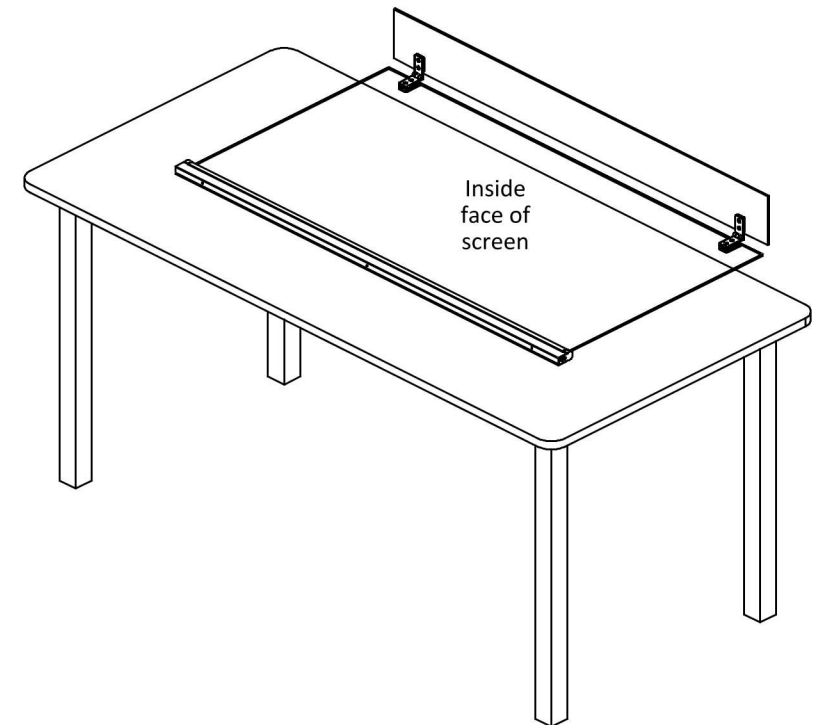
Unpack the box and ensure all components are present.
 No refunds or re-fitting cost will be given if incomplete or damaged goods have been fitted.
 The toughened safety glass is to specification EN12150 and should be handled with care as impacts can damage the glass.



ITEM	DESCRIPTION	QTY
1	FRONT SCREEN	1
2	RETURN SCREEN	1
3	WALL PROFILE	1
4	VERTICAL SEAL	1
5	HINGE ASSEMBLY	2
6	FRONT SEAL	1
7	RETURN SEAL	1

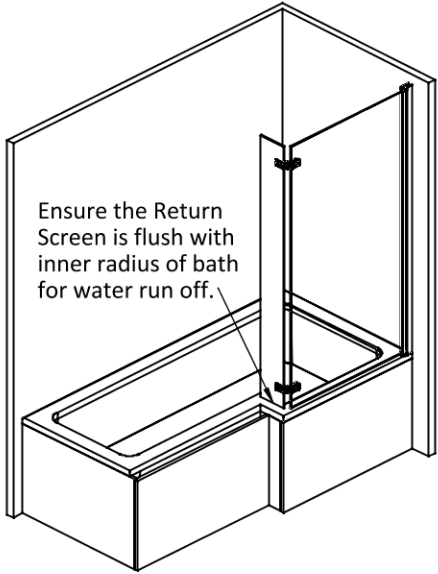
8	SCREW CUP COVER		2
9	SCREW CUP		2
10	10mm PAN HD SELF TAPPER		2
11	30mm PAN HD SELF TAPPER		3
12	WALL PLUG		3

1. Fixing The Hinges



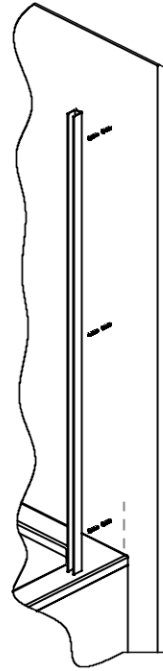
Lay front screen (1) on a flat surface to fit the return screen (2). Use the hinges provided (5). The hinge fixing screws should be to the inside face of the screen. (Do not mark the aluminium profile)

3. Mounting the Wall Profile



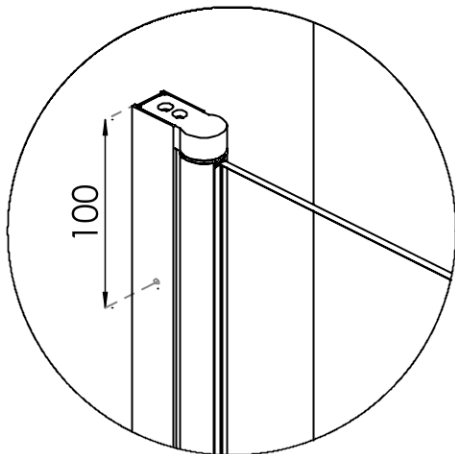
Slide the wall profile (3) onto the screen. Sit the screen onto the bath and adjust so the Return Screen butts upto the inside radius of the bath. Mark the position of the wall profile (3) with a pencil.

Move the screen aside and remove wall profile. Re-align the wall profile with the pencil mark, ensuring vertical with a spirit level. Mark through the wall profile fixing holes. Use a masonry drill bit to drill the holes for the wall plugs (12). Insert the wall plugs so that they fit flush with the wall's surface. Now fix the wall profile to the wall using the screws (11) provided.



4. Screen Fixing

Re-insert the screen into the wall profile. Adjust the position of the screen until it is parallel and square with the bath top face. The gap under the glass should be 16.5mm. Use a packer under the glass whilst you fix the screen in place.



From the inside of the bath screen make a pencil mark on the wall profile approximately 100mm from the top and the bottom.

NOTE: When marking the hole position ensure that the 3mm hole drilled will go through both the wall and screen profile, with at least 3mm of the profile's material around the hole.

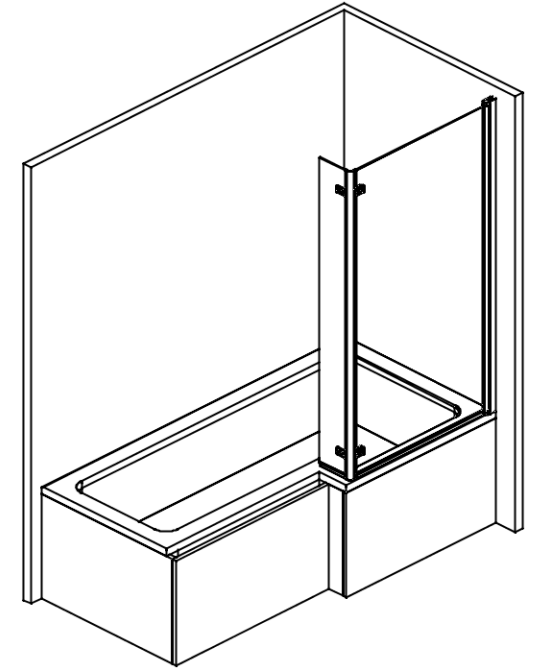
DO NOT DRILL THROUGH THE FRONT FACE OF THE WALL PROFILE

Fix the screen using the screws (10), cups (9) and cover caps (8) provided.

DO NOT OVER TIGHTEN

4. Fit the seals

Attach the Vertical Seal (4) and both the Front and Return Seals (6 & 7).



5. Siliconing

Finally silicone down the length of the Wall Profile as indicated by the dotted line.

Leave to cure before using.

