

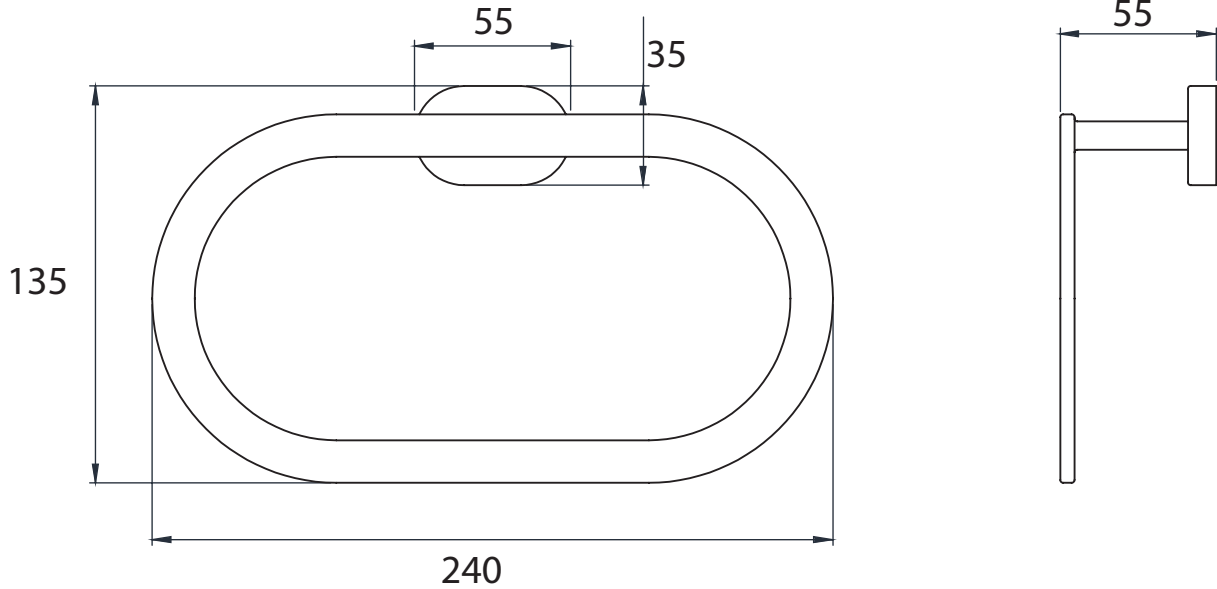
# Technical Data Sheet

# ROPER RHODES®

## ARENA TOWEL RING

Whats in the box: 1x 5722.02 & Fixings

Diagrams not to scale  
All dimensions in mm  
tolerance of +/-5mm



### Materials

Ring: Chrome plated brass  
Fixing plate: Chrome plated brass

\*\*Dimensions are subject to change, customers are advised to measure actual product before commencing installation.  
\*\*\*Fixing point dimensions are for guidance only/the positions of wall fixing must be checked when product is received.

### FAQs

- |  |               |
|--|---------------|
| Q: What is the overall distance from the wall? | A: 55 mm      |
| Q: Coverplate dimensions?                      | A: 55 x 35 mm |
| Q: Fixing point centres?                       | A: 25 mm      |