

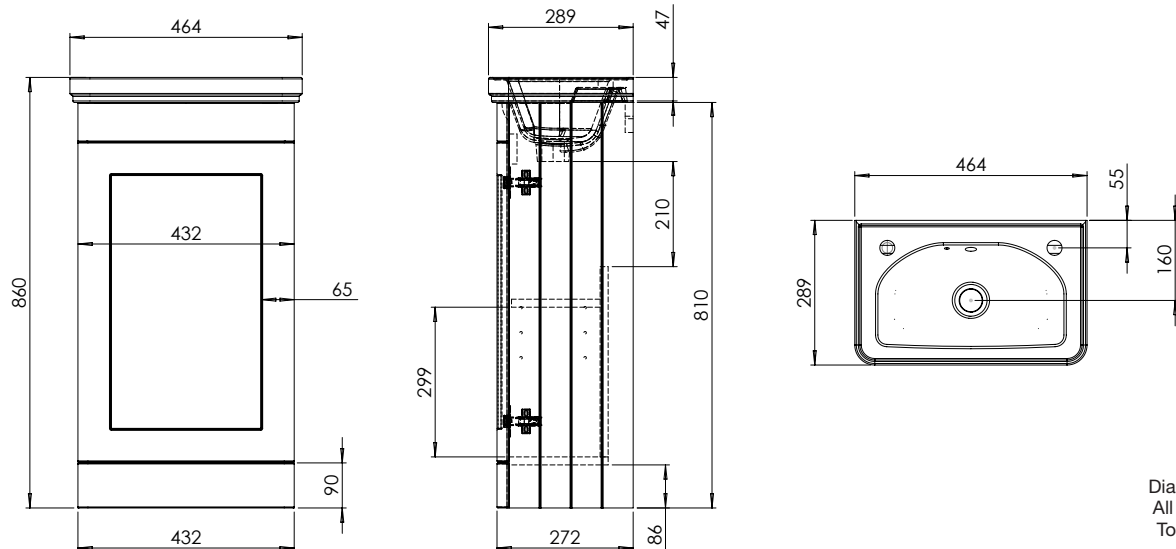
Technical Data Sheet

Marston 450 Cloakroom Unit TDS

What's in the box: 1x MS450F.X + Fixings

TAVISTOCK
inspiring bathrooms

*Reference basin TDS for further info



Diagrams not to scale
All dimensions in mm
Tolerance of +/-5mm

Materials

Carcass: Painted MDF/MFC
Fascia Components: Painted MDF

**Dimensions are subject to change, customers are advised to measure actual product before commencing installation.

***Fixing point dimensions are for guidance only/the positions of wall fixing must be checked when product is received.

FAQs

- | | |
|---|--|
| Q: How big is the plumbing void? | A: 50mm. |
| Q: Are the handles fitted? | A: No, pilot holes on the back face of the door are to be drilled by the installer. |
| Q: Are the hinges soft close? | A: Yes, the hinges are soft close |
| Q: Is the door reversible? | A: The door can be configured with hinges on the left or right hand side. |
| Q: How deep is the unit with door open? | A: Approximate depth with 90° hinge 680mm. |
| Q: Can the doors be adjusted? | A: The door can be adjusted as detailed in the supplied instructions. |
| Q: Is the shelf removable? | A: Yes, there is one removable shelf. |
| Q: What is the shelf capacity? | A: Shelf max. depth: 180mm. |
| Q: Is the shelf adjustable? | A: Yes, the shelf is adjustable. |
| Q: What is the interior finish of the unit? | A: The unit interior is white on the paper white unit and dark grey on all other finishes. |
| Q: Is the unit supplied with handles? | A: No, your choice of handles can be selected when the unit is purchased. |
| Q: How is the unit fixed to the wall? | A: You can secure the unit to the wall by drilling through the back brace using the pre-drilled holes. |

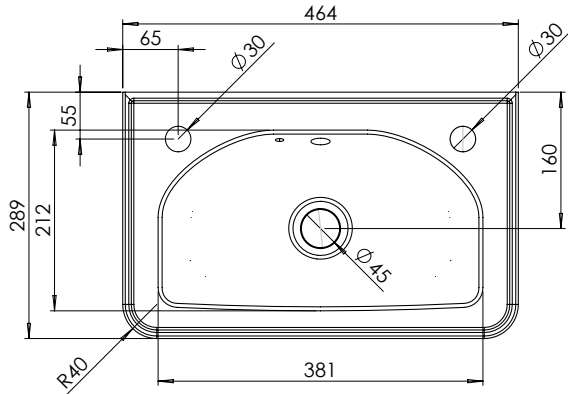
NOTE: Colours unique to Roper Rhodes - No RAL Code available

Technical Data Sheet

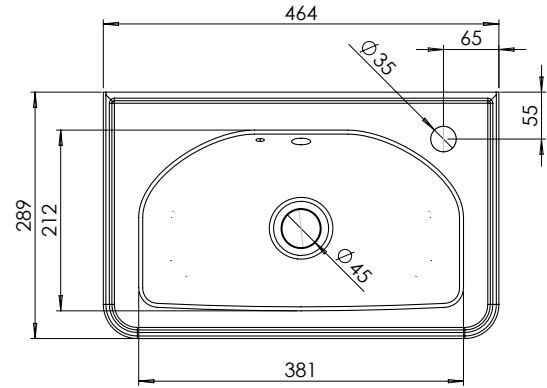
Marston 450 Ceramic Basin

What's in the box: 1x MS450CS (1 Tap Hole) or MS450CD (2 Tap Hole)

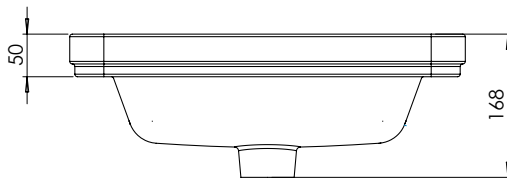
TAVISTOCK
inspiring bathrooms



MS450CD (2 Tap Hole)



MS450CS (1 Tap Hole)



Diagrams not to scale
All dimensions in mm
Tolerance of +/-5mm

Materials

Basin: Ceramic

**Dimensions are subject to change, customers are advised to measure actual product before commencing installation.

FAQs

Q: What is the maximum water depth of the basin?

A: 116mm up to the overflow.

Q: What is the distance from the Taphole centre to Basin Waste?

A: 200mm

Q: Can this basin be wall mounted?

A. No, this basin cannot be wall mounted.

Q: Does the basin fit other furniture?

A. No.

Q Does the 2 tap hole basin have a chainstay hole?

A. Yes. A plug and chain waste can be purchased separately.

Q: What are the taphole/ basin waste sizes?

A: All sizes are to British Standard - (BS EN 31)

- Diameter of the central tap hole = 35mm : +2/ -1mm
- Bore of the waste outlet hole = 46mm : +2 / - 3mm
- Diameter of the base for the seal between the waste outlet hole and the waste fitting = ≥ 60 mm