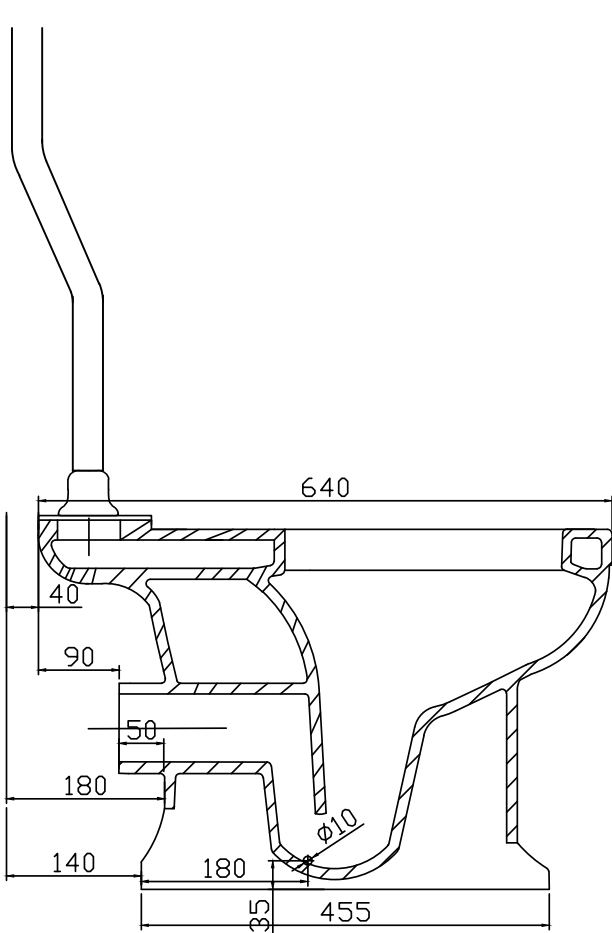
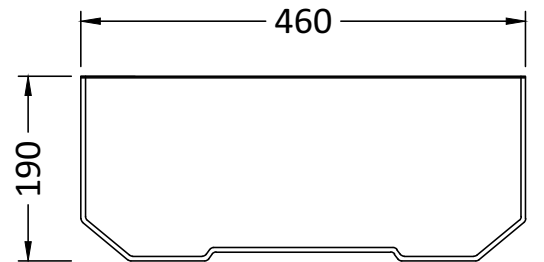
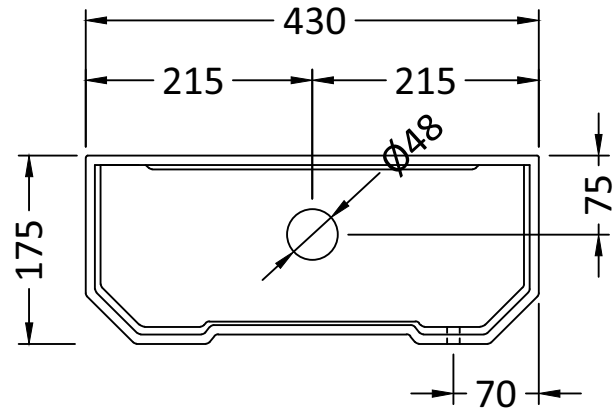
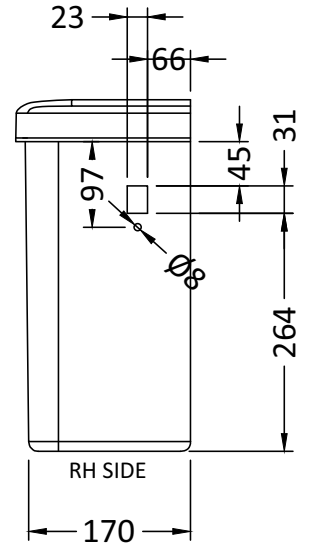
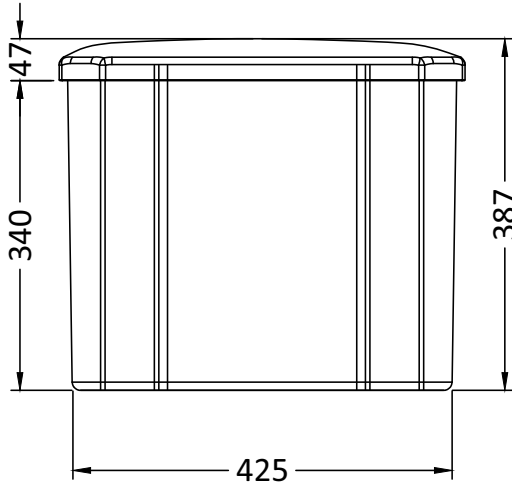
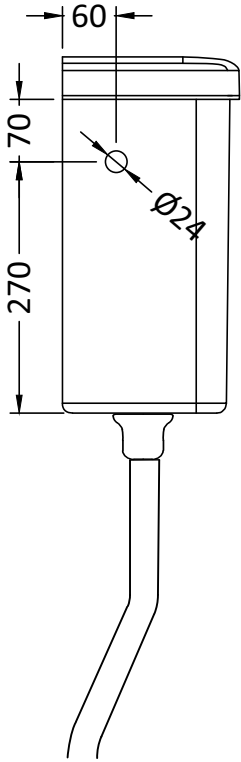


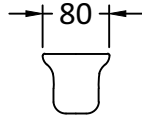
CUSTOMER SPECIFICATION SHEET - SANITARYWARE

SALES CODE:	VCHC103	DESCRIPTION:	VICTRION HIGH LEVEL CISTERN	CODE: VCHC103
--------------------	----------------	---------------------	------------------------------------	----------------------

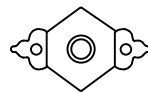
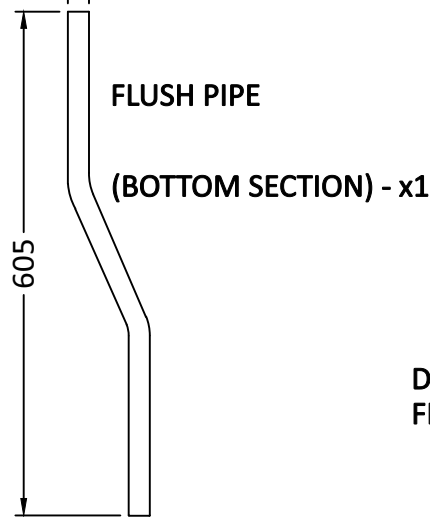
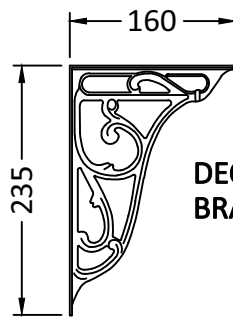
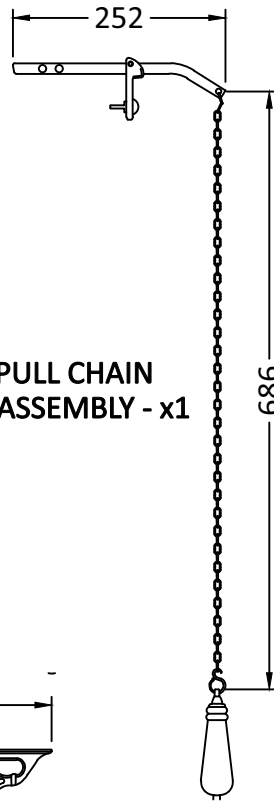
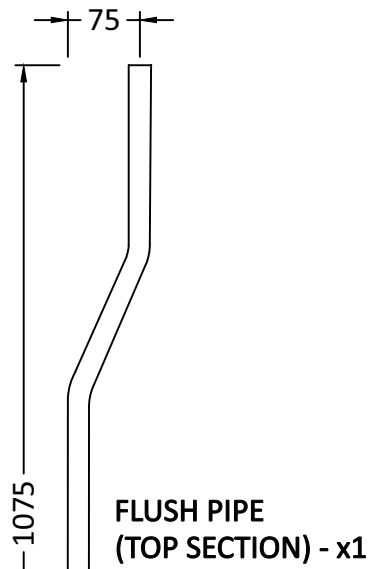


For Additional Technical Information Refer To PDF From Additional Info Section

DECORATIVE CONE
Inc' 'O' RINGS - x2



SALES CODE:	VCHF003PCP	DESCRIPTION:
VICTRION HIGH LEVEL CISTERN PIPE SET		
FOR USE WITH		
VICTRION HIGH LEVEL CISTERN CODE: VCHC103		
VICTRION UNIVERSAL CLOSE COUPLED TOILET PAN CODE: VCT001		



DECORATIVE WALL FIXING BRACKET - x1

