

Kitchen Sinks

Gourmet Sink 10 Double Bowl

RAK
CERAMICS

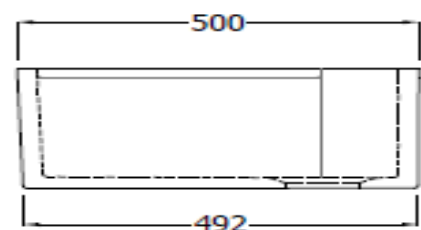
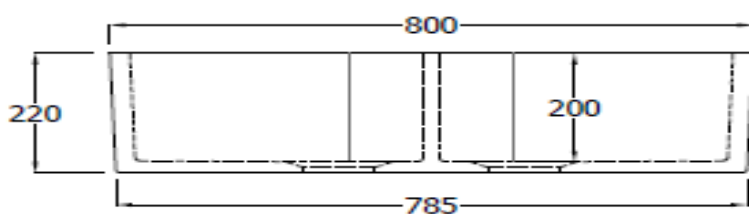
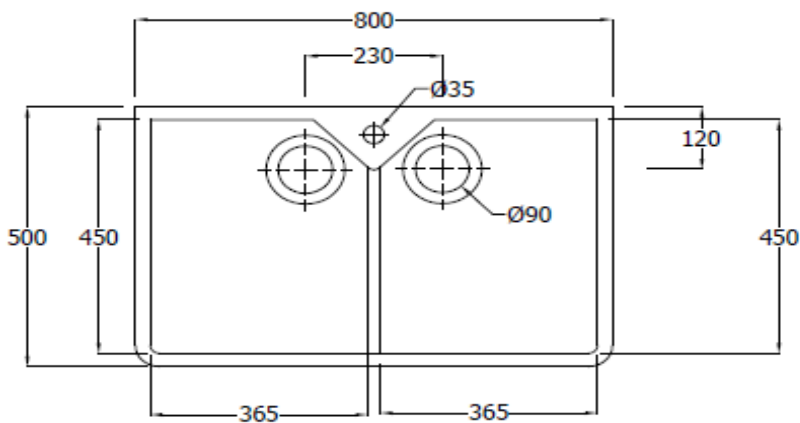


SPECIFICATION/CODE REFERENCE

Please use the reference codes shown below:

GOSINK10

SIZE	800 x 500 x 220 mm
APPROVALS	ISO9001:2008
OPTIONS	Over or Undermounting
MATERIAL	Fireclay
TAPHOLE	Semi Punched for knocking out
FINISH	White Enamel
WEIGHT	47.20 kg
BOWL SIZE	455 x 360 x 170 mm
DRY HEAT RESISTANCE	Min 180 Deg C
WASTES	Wastes BWSTSS (not included)
TOLERANCES	- + 5% of Dimensions
WARRANTY	10 Years



Dimensions: All measurements are in millimeters and are subject to normal manufacturing variations.

Note: Due to a continuing development programme to improve design and performance, the manufacturer reserves all rights to vary specifications without prior informations. Please note accessories are for photographic use only.

Tel: 01730 237850 Fax: 01730 263210. RAK Ceramics, Bradford House, Frenchmans Road, Petersfield, Hampshire GU32 3AW
Contact us at: info.uk@rakceramics.com / Visit us at: www.rakceramics.com 2017