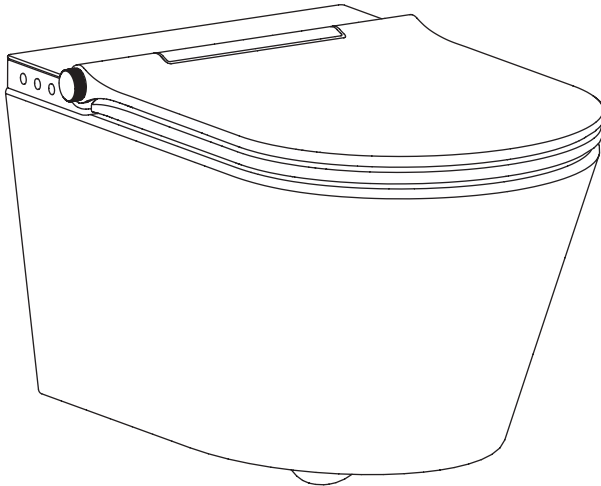
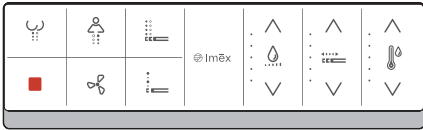




Smart Toilet

Installation Instruction

Apply to CH1088ZR CH10166ZR



Important Notice

Installation Instructions

Installation instructions are used to guide the correct installation of smart toilet. please read them carefully before installation.

Icon and Identification

 **Danger** Lead to serious injury or even death.

 **Caution** Operation practice without physical injury.

Please read the instructions in this chapter

Target Reader and Installer Qualifications

This smart toilet with water pipe can only be installed by qualified plumbers. Electrical installation can only be carried out by qualified electricians.

Safety Instructions

 **Caution** Product and/or performance damage

* Be sure to abide by the national/regional standards and local installation regulations.

 **Caution** Product damage caused by the frozen water

* It is forbidden to install smart toilets in rooms with the risk of frost. The lowest indoor temperature is not less than 4°C.

 **Caution** Product damage caused by condensation

* When the smart toilet is moved from the low temperature to the high temperature environment, please unplug the power for several hours firstly.

Forbid to dismantle independent components

 **Danger** Deadly electric shock danger!

* If the power cord is damaged, it must be replaced by the manufacturer's maintenance personnel or professionals.

* Appliance must be properly connected to ground.

* Fixed wiring must be equipped with an electric shock distance device under full-pole disconnection over-voltage level III conditions according to wiring rules.

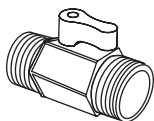
* Specification of fixed wiring power supply wire is 1-2.5 square millimeters of cross section area.

* Ensure that the grounding end of the power supply line is 10 mm longer than that of the fire line (L) and the zero line (N).

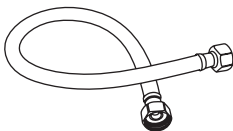
 **Caution**

* The unit of length in this installation instruction is millimeter (mm).

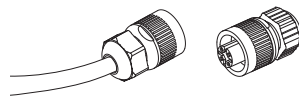
Parts List



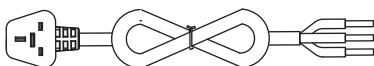
Inlet angle valve



Inlet flexible water connection hose



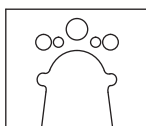
Electricity connector



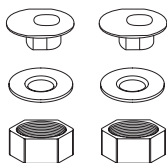
Plug



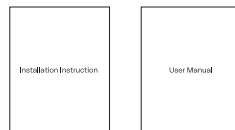
Outlet pipe



Wall cushion protector

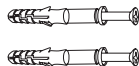


Pan fixing bolt set

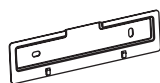


Installation Instruction
+User Manual

Remote Control



Screw fixing set



Fixing plate



Support cradle

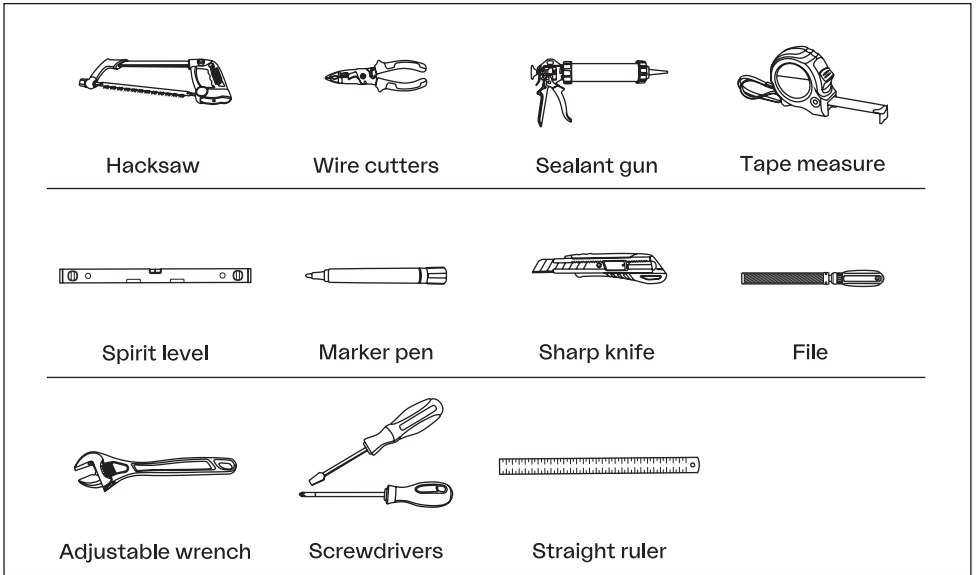


Remote control

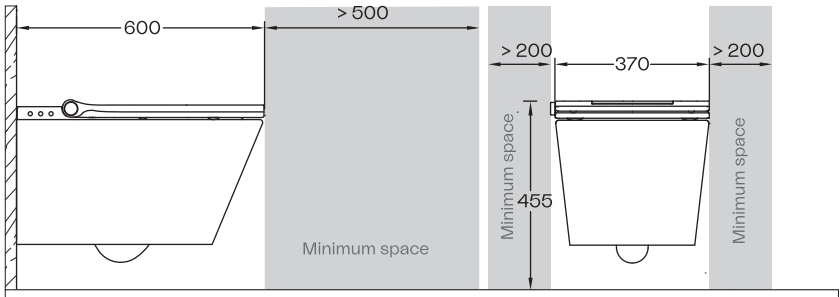
Caution Remote Control Installation

* Please make sure that the toilet is installed before the remote control is installed.

Installation Tools (not supplied)



Technical Drawing



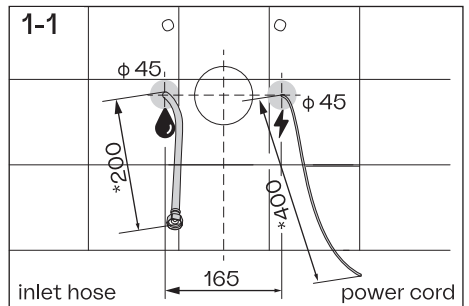
Installation Mode 1

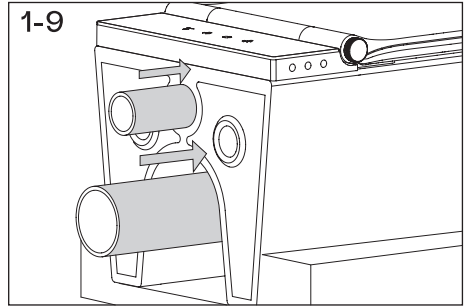
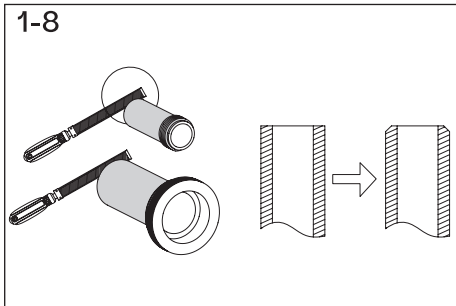
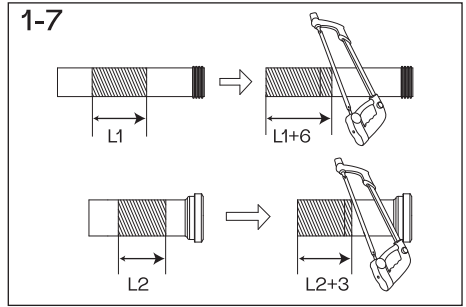
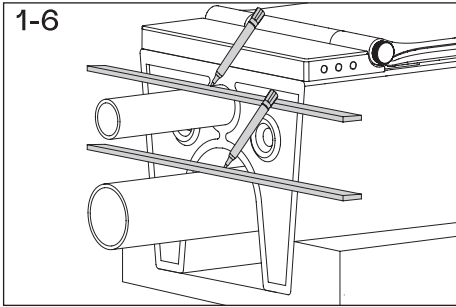
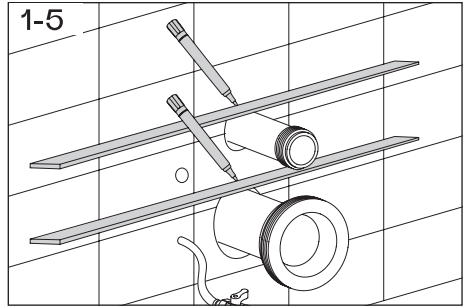
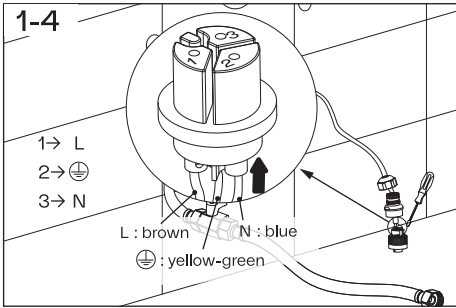
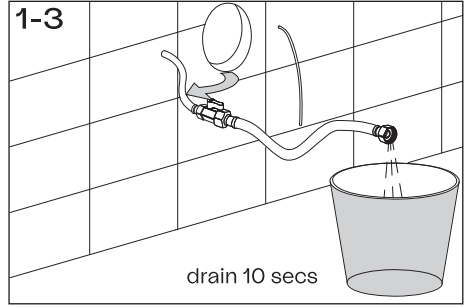
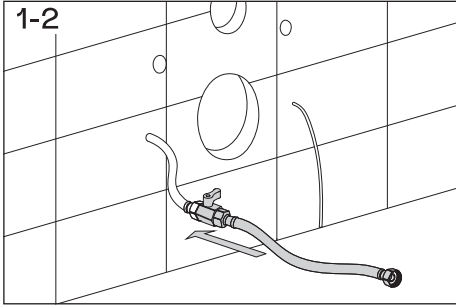
Confirmation before installation

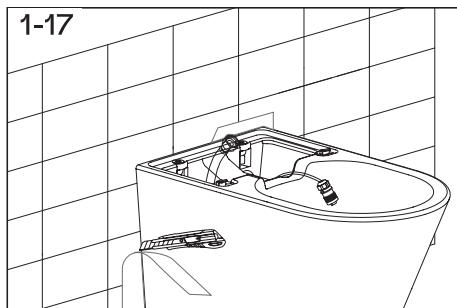
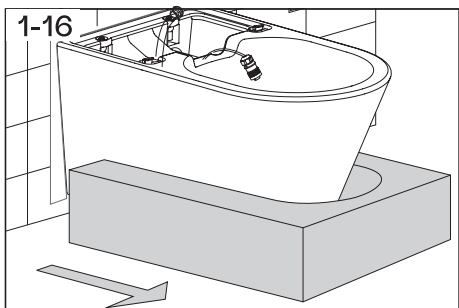
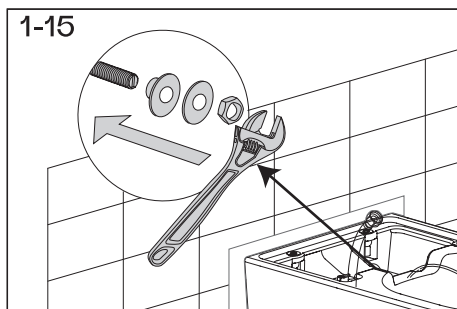
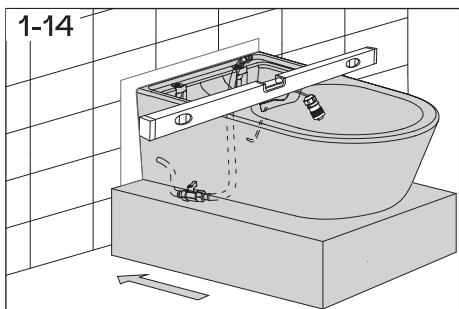
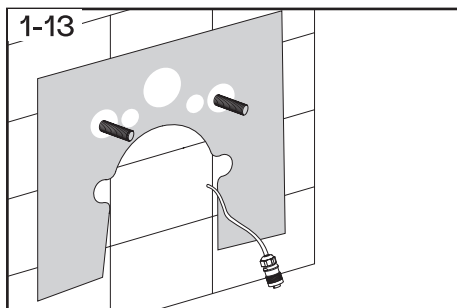
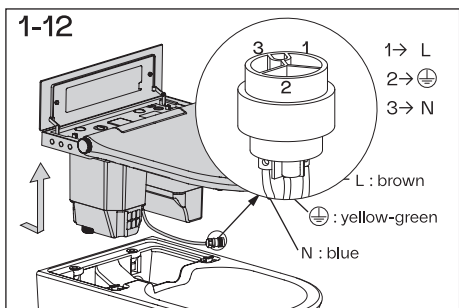
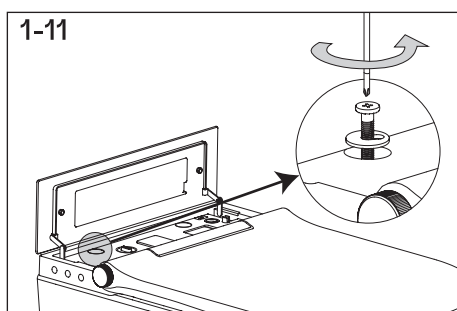
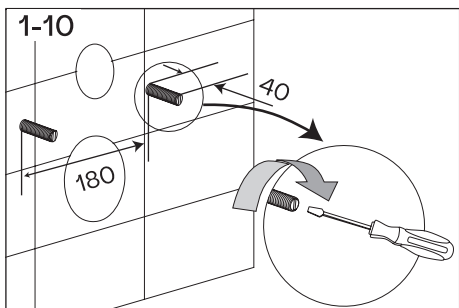
- 1.The toilet installation area should be equipped with inlet hose.
- 2.The toilet installation area should be equipped with power cord.
3. "*" Recommended size

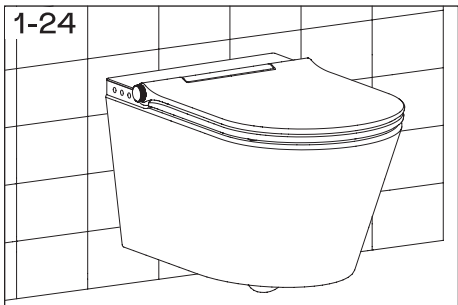
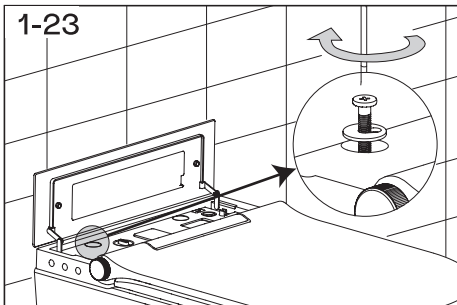
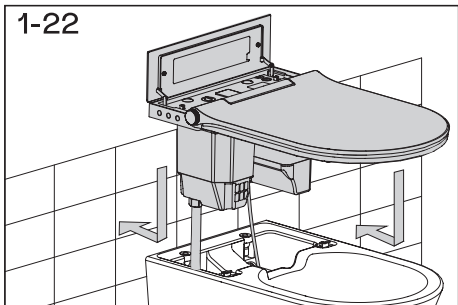
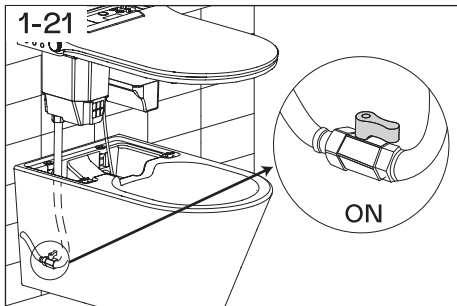
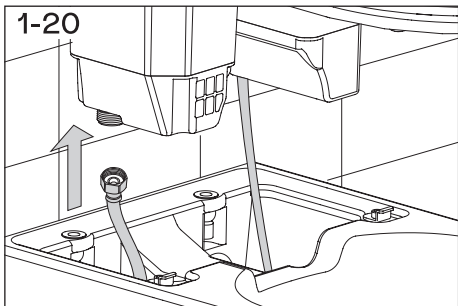
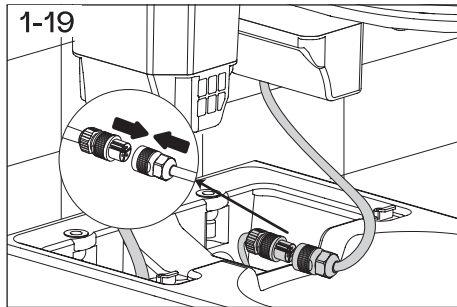
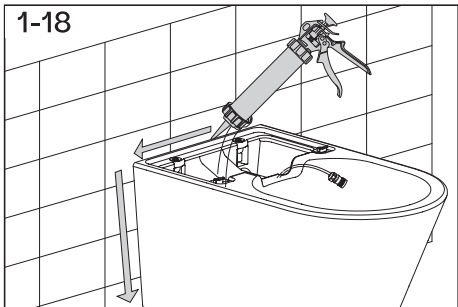


This operation should be carried out by professionals.









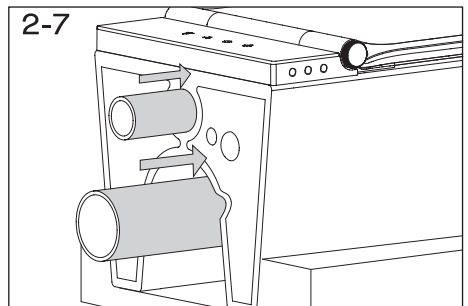
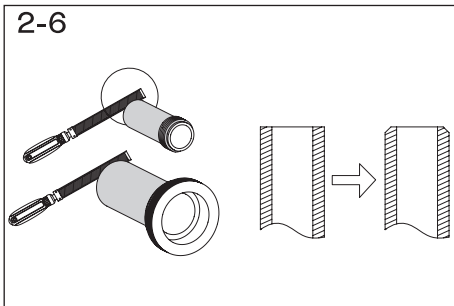
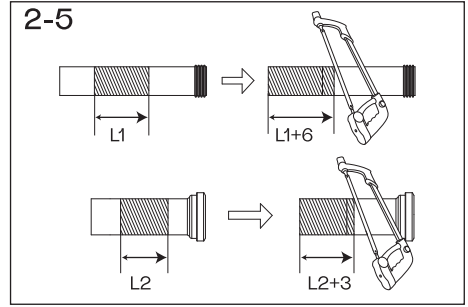
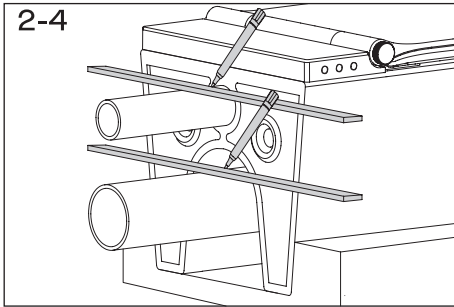
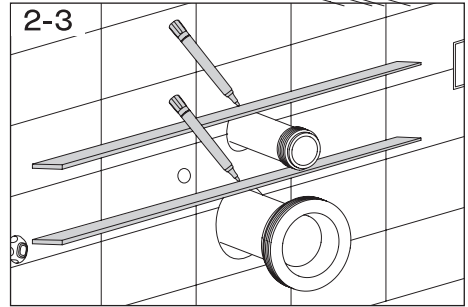
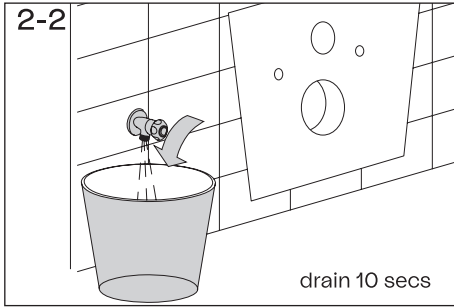
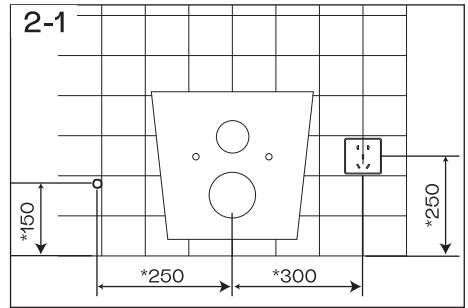
Installation Mode 2

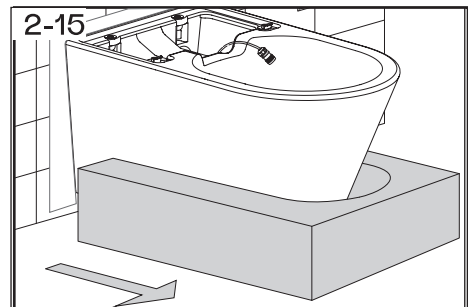
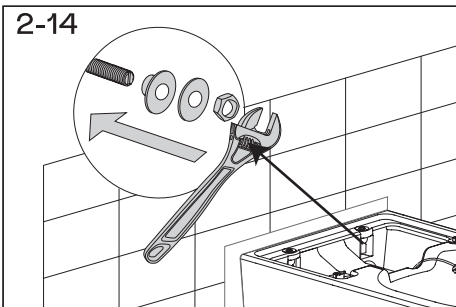
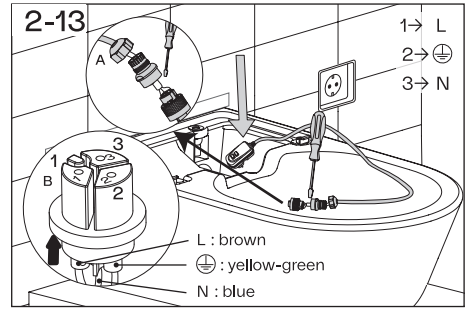
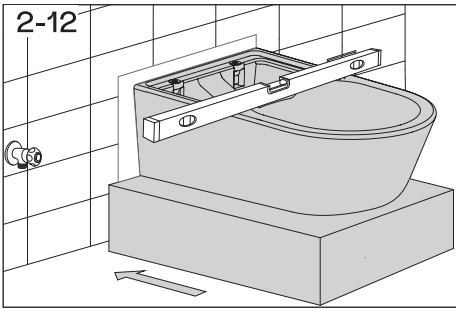
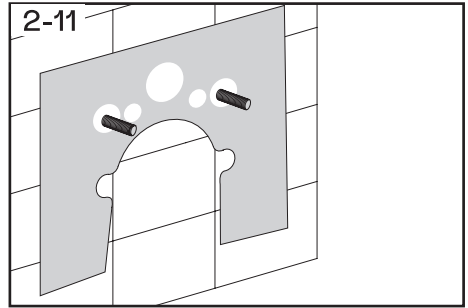
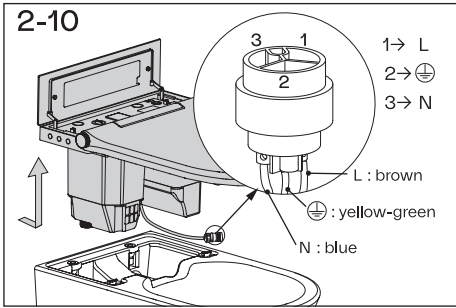
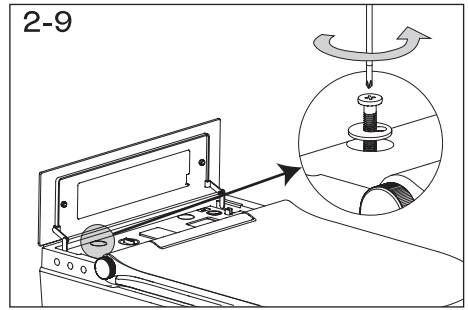
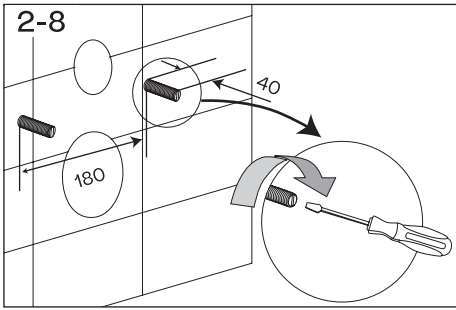
Confirmation before installation

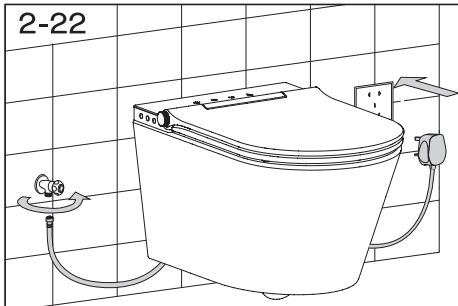
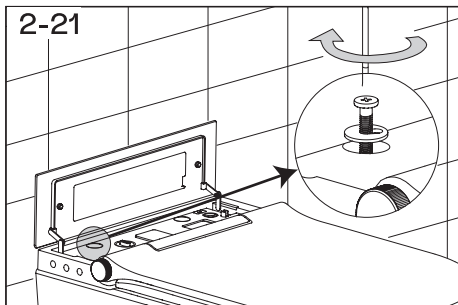
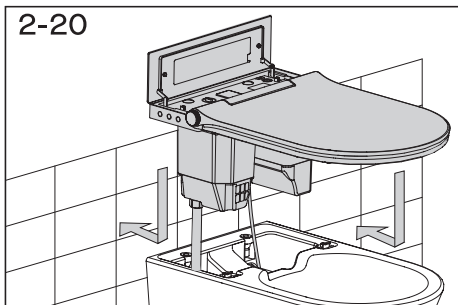
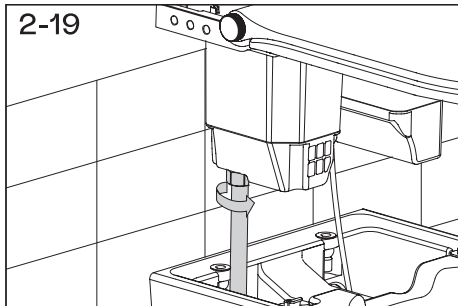
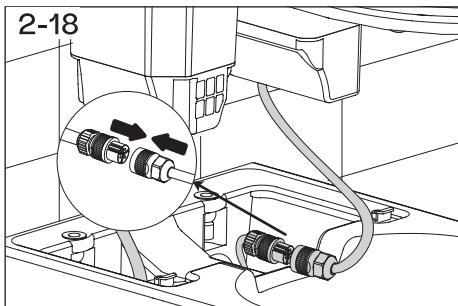
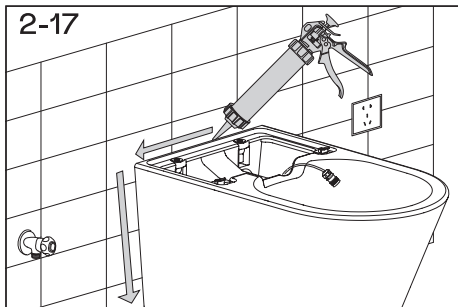
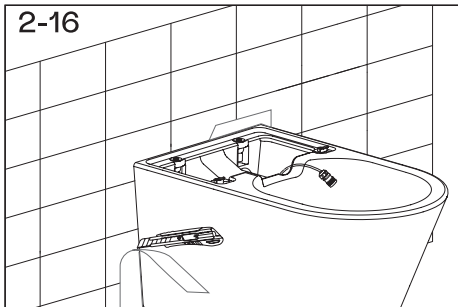
1. The toilet installation area should be equipped with angle valves.
2. The toilet installation area should be equipped with power sockets.
3. "*"Recommended size



This operation should be carried out by professionals.

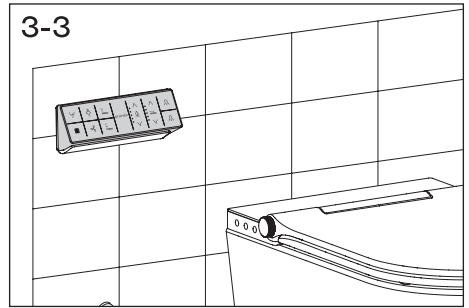
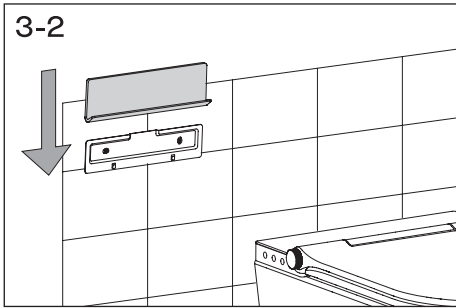
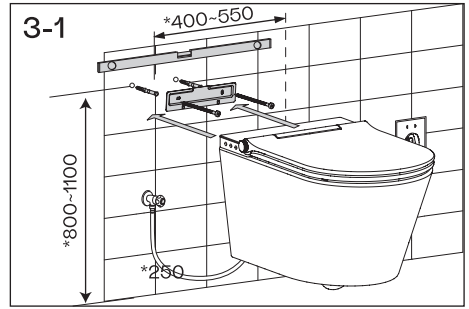






Remote Control Installation

*.*Recommended size



For any further information please contact

IMEX UK on: **01530-835 598**

Or visit our web-site at: www.imexc ceramic.co.uk

The manufacturer reserves the right to make technical modifications without prior notice.