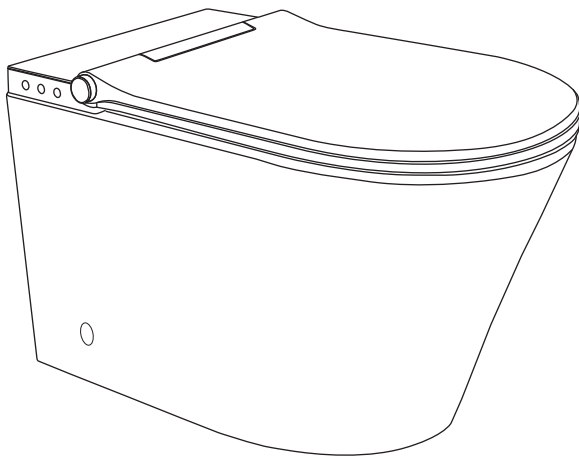




Smart Toilet Installation Instruction

Apply to CB1088ZR CB10166ZR



Important Notice

Installation Instructions

Installation instructions are used to guide the correct installation of smart toilet. please read them carefully before installation.

Icon and Identification



Danger Lead to serious injury or even death.



Caution Operation practice without physical injury.

Please read the instructions in this chapter

Target Reader and Installer Qualifications

This smart toilet with water pipe can only be installed by qualified plumbers. Electrical installation can only be carried out by qualified electricians.

Safety Instructions



Caution Product and/or performance damage

* Be sure to abide by the national/regional standards and local installation regulations.



Caution Product damage caused by the frozen water

* It is forbidden to install smart toilets in rooms with the risk of frost. The lowest indoor temperature is not less than 4°C.



Caution Product damage caused by condensation

* When the smart toilet is moved from the low temperature to the high temperature environment, please unplug the power for several hours firstly.

Forbid to dismantle independent components



Danger Deadly electric shock danger!

* If the power cord is damaged, it must be replaced by the manufacturer's maintenance personnel or professionals.

* Appliance must be properly connected to ground.

* Fixed wiring must be equipped with an electric shock distance device under full-pole disconnection over-voltage level III conditions according to wiring rules.

* Specification of fixed wiring power supply wire is 1-2.5 square millimeters of cross section area.

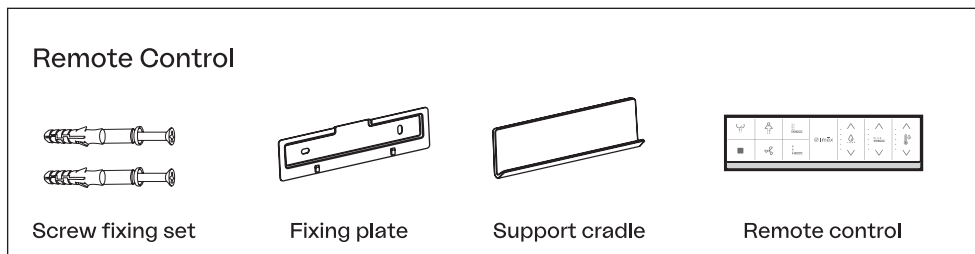
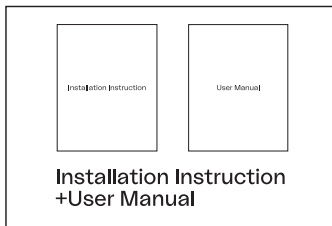
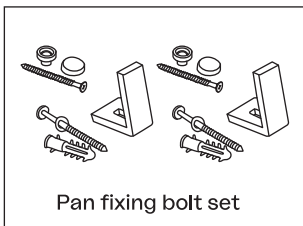
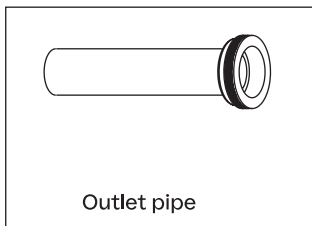
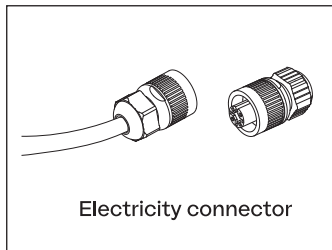
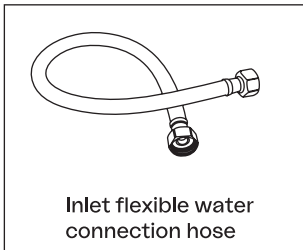
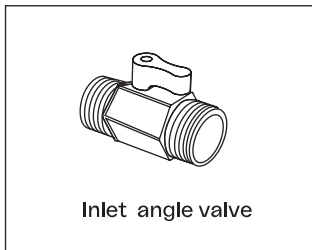
* Ensure that the grounding end of the power supply line is 10 mm longer than that of the fire line (L) and the zero line (N).



Caution

* The unit of length in this installation instruction is millimeter (mm).

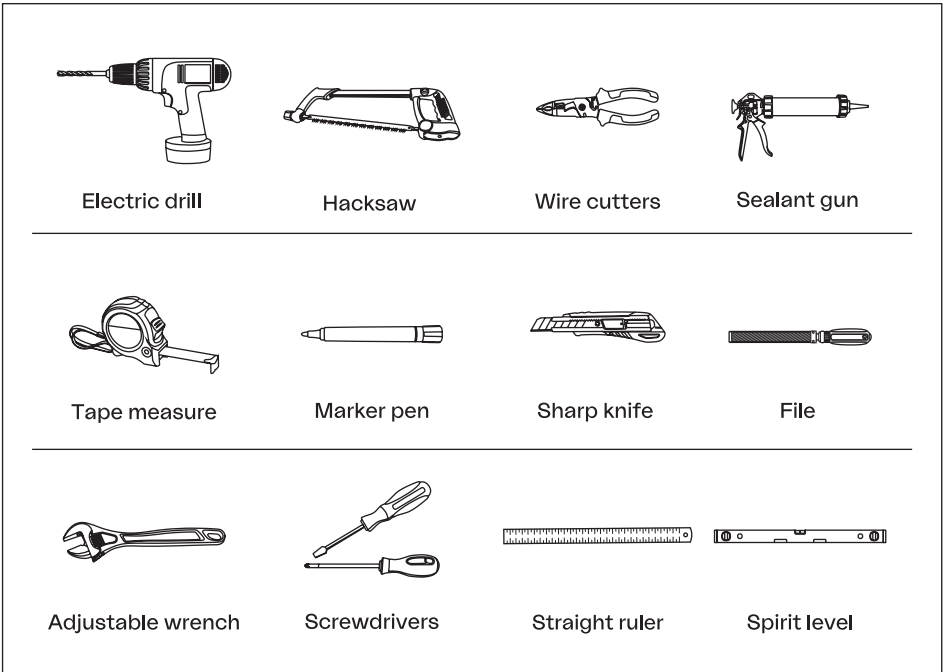
Parts List



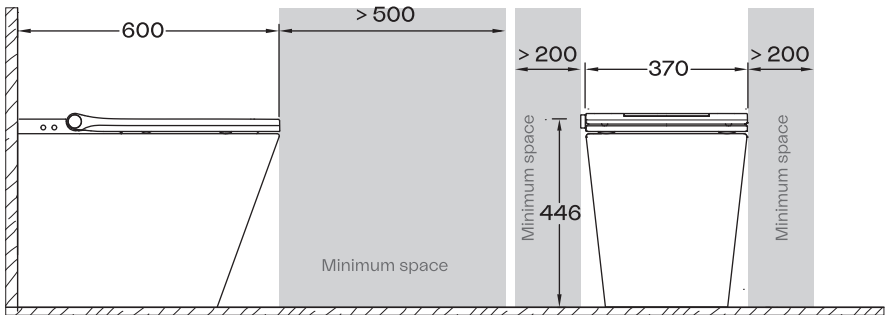
Caution Remote Control Installation

* Please make sure that the toilet is installed before the remote control is installed.

Installation Tools (not supplied)



Technical Drawing



Toilet Installation

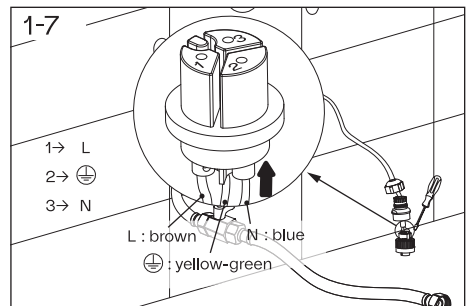
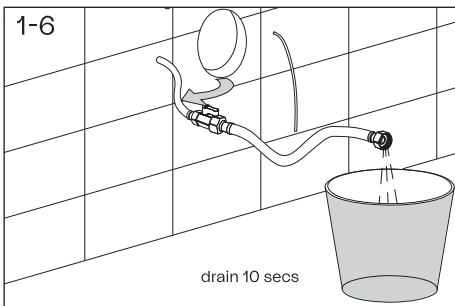
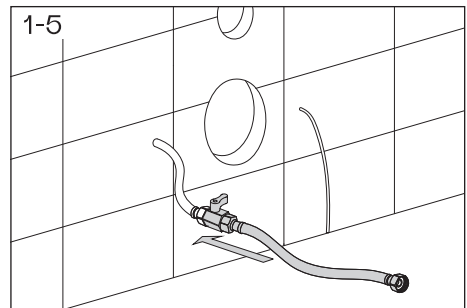
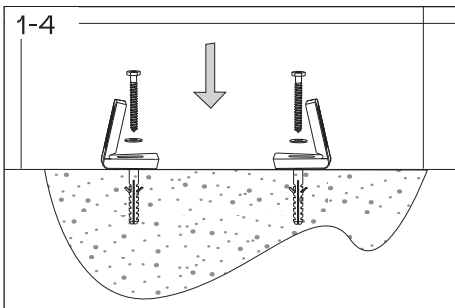
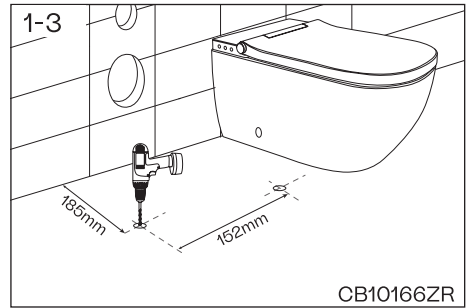
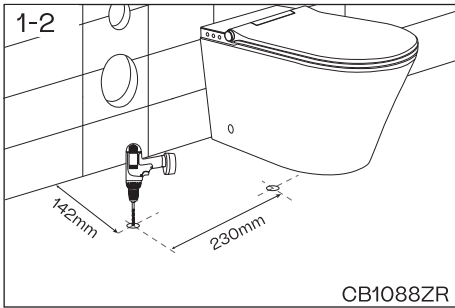
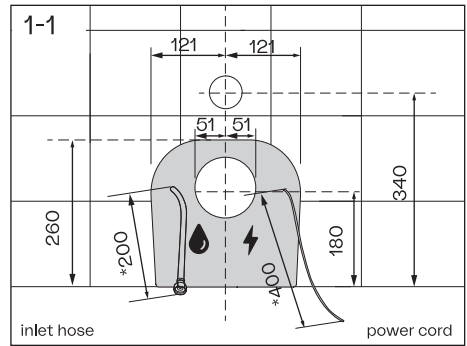
Confirmation before installation

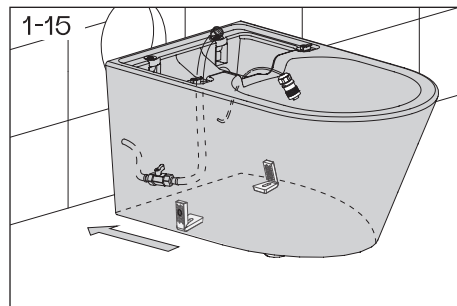
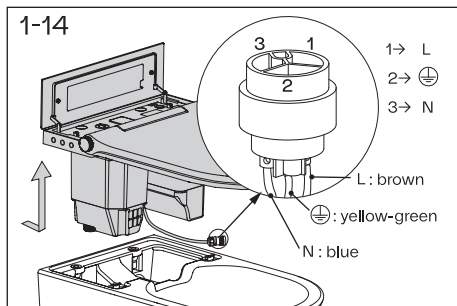
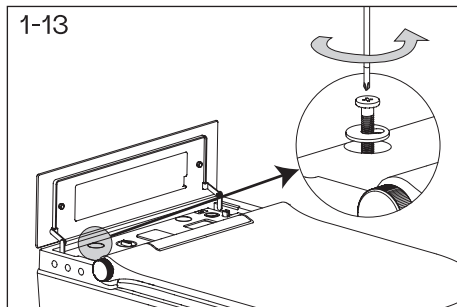
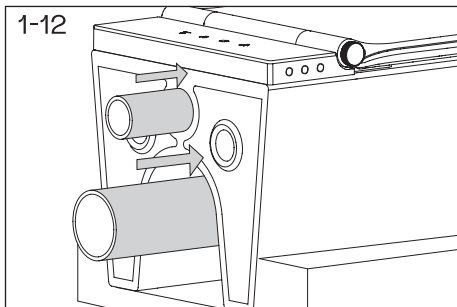
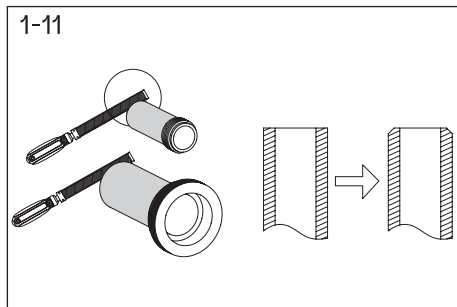
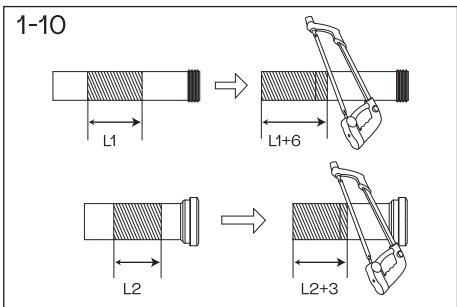
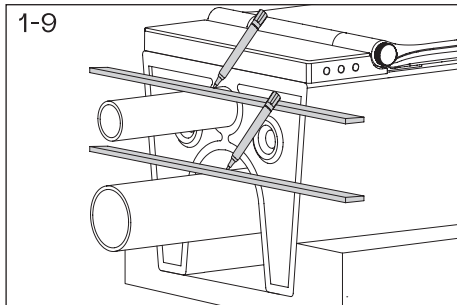
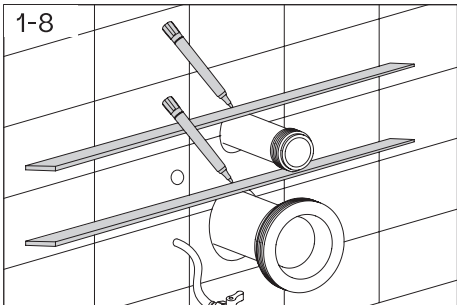
1. The toilet installation area should be equipped with inlet hose.
2. The toilet installation area should be equipped with power cord.
3. “*” Recommended size

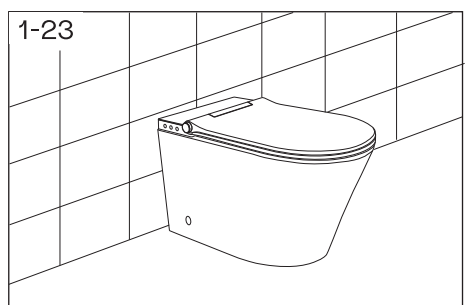
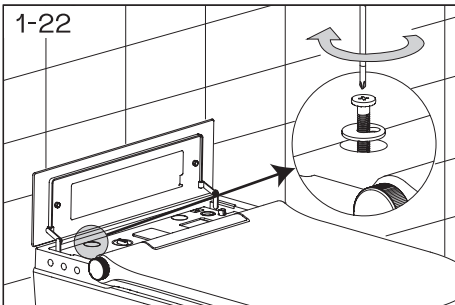
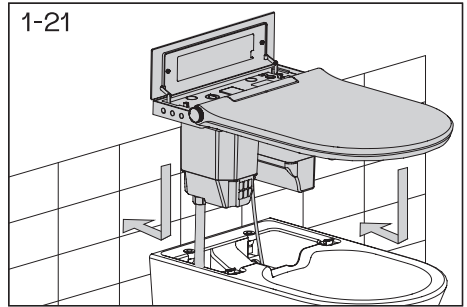
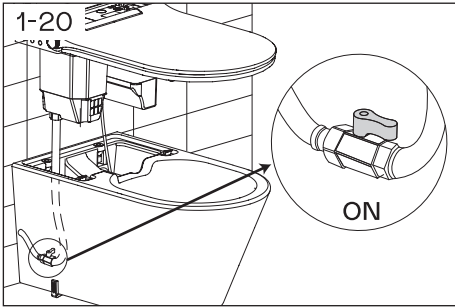
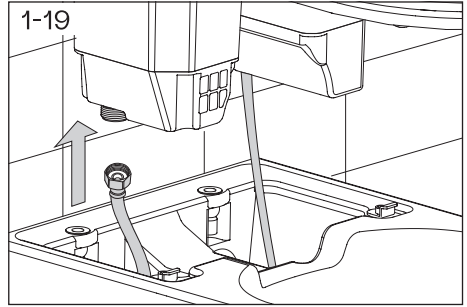
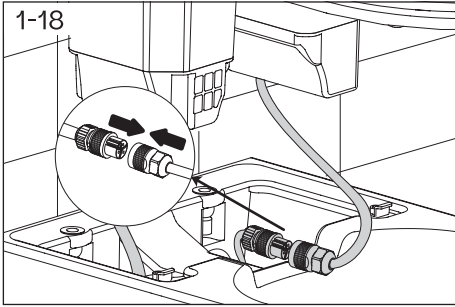
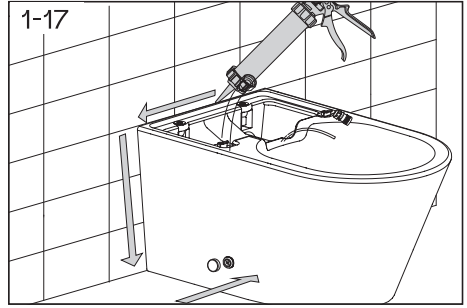
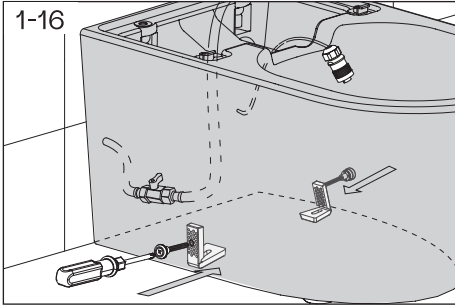


DANGER

This operation should be carried out by professionals.

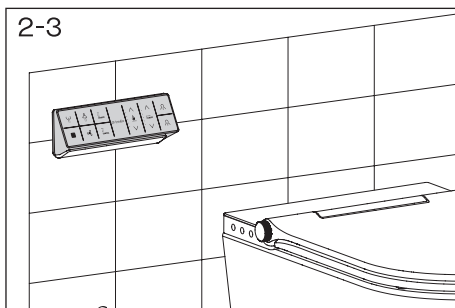
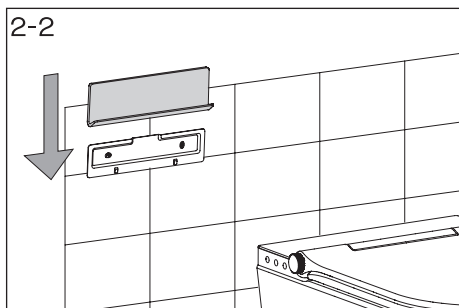
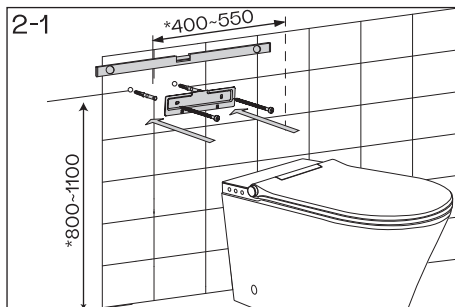






Remote Control Installation

*"Recommended size



For any further information please contact

IMEX UK on: **01530-835 598**

Or visit our web-site at: www.imexceramic.co.uk

The manufacturer reserves the right to make technical modifications without prior notice.